



Warrior, Inc.
 11100 SW Industrial Way
 Tualatin, OR 97062
 Phone: (888) 220-6861
 Fax: (503) 692-0364
customerservice@warriorproducts.com
www.warriorproducts.com

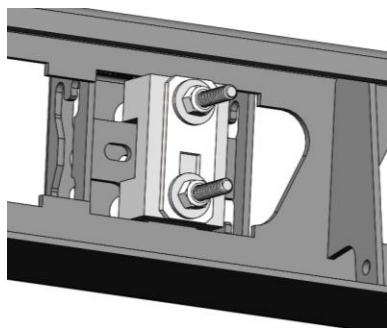
MOD RACK AWNING BRACKET / MEGA BASE (10302 / 10303)

Kit Contents (quantity will vary depending on your kit):

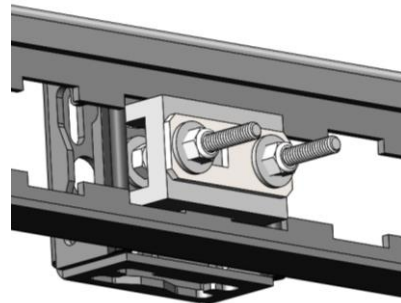
<u>Item</u>	<u>Qty</u>	<u>Item</u>	<u>Qty</u>
Awning Bracket / MEGA Base	2 or 3	1/4" x 2" Carriage Bolt	4 or 6
Plastic U-Channel bracket	2 or 3	1/4" USS Flat washer	8 or 12
Backing Plate	2 or 3	1/4" Nyloc Nut	4 or 6
Rubber Edge Trim (2-7/8" long)	4 or 6	1/4" Hex Nut	4 or 6

Installation (preparation for mounting):

- Determine the orientation of the Plastic U-Channel bracket for your application. You must mount the bracket vertically if you are installing on a MOD rail with the large cutout (side rails). If you are installing on a MOD rail with the small cutout (rear rail), you must position the bracket horizontally. The figure below illustrates the two different orientations. The remainder of the instructions will illustrate only the vertical orientation.

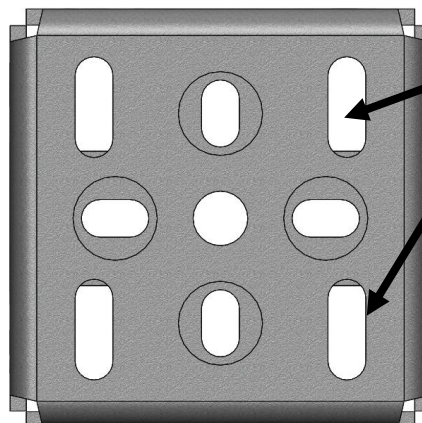


Vertical orientation (Large Cutout)



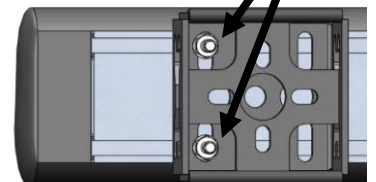
Horizontal orientation (Small Cutout)

- Determine the orientation of the awning bracket body. When looking at the face, the outer corner slots should be oriented vertically. These slots are where your awning hardware will attach. Please note that you will choose one side or the other to use and that the awning will not be bolted at the center of the bracket body.



AWNING MOUNT SLOTS

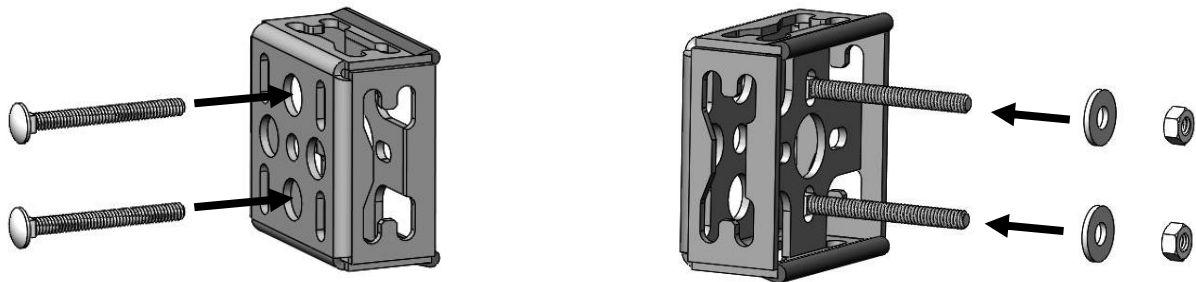
AWNING HARDWARE



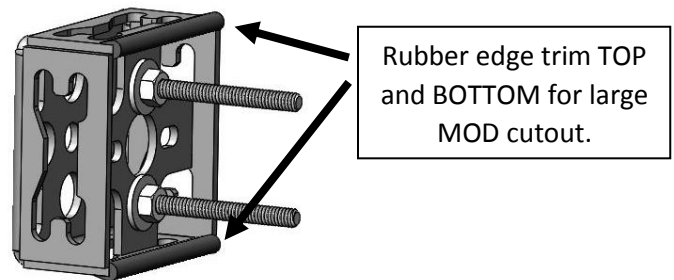


Warrior, Inc.
 11100 SW Industrial Way
 Tualatin, OR 97062
 Phone: (888) 220-6861
 Fax: (503) 692-0364
customerservice@warriorproducts.com
www.warriorproducts.com

- After determining the orientation, install carriage bolts into bracket body. For the vertical orientation, place the carriage bolts in the top and bottom positions. For the horizontal orientation place the carriage bolts in the side positions. When the carriage bolts have been placed, use a flat washer and a regular nut on each bolt to hold it in place for the remainder of the install.

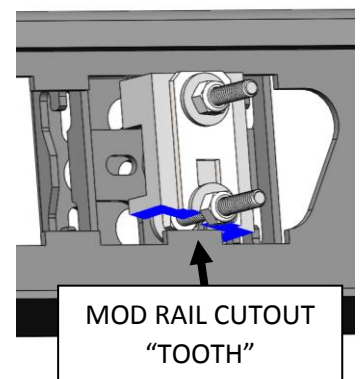


- Install rubber edge trim for your application. For the side rail (large cutout), place the trim on the TOP and BOTTOM edges. For the rear rail (small cutout), place the trim on the two SIDE edges. Cut to length if necessary.



Awning Installation:

- Attach the Warrior Products Awning Bracket body to the awning extrusion **BEFORE** mounting to the MOD Rail. This will provide much better access for the hardware that secures the awning extrusion.
 - Determine the spacing of your Awning Brackets required to mount your awning to the MOD Rail.
 - Note that when measuring to position the Awning Brackets that the center of the bracket must be positioned over one of the "teeth" in the MOD Rail cutout (see image to the right). This is necessary for the Plastic U-Channel bracket to interface correctly and securely attach the Awning Bracket. The spacing from center-to-center of the Awning Brackets will be an even numbered, whole inch increment.
 - Also make sure to locate your Awning Brackets at a MOD rail cutout with an available "tooth". Do not position the Awning Brackets between cutouts where there is no "tooth" to use.
 - Remember that the awning hardware will attach through the "mount slots" illustrated above. Position your Awning Brackets at your desired measurements, then tighten awning hardware.

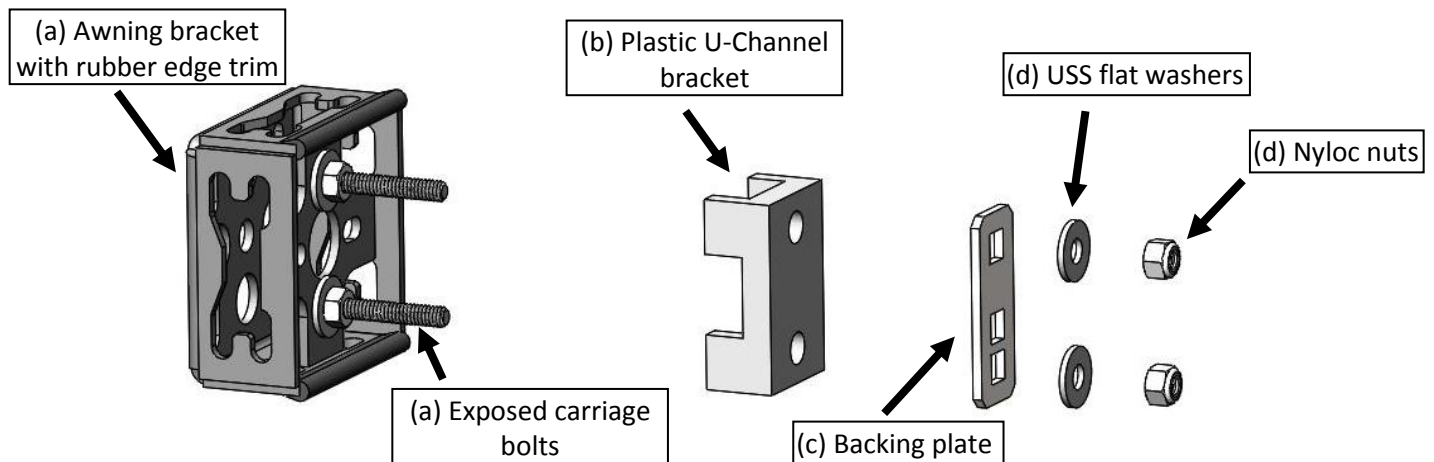




Warrior, Inc.
11100 SW Industrial Way
Tualatin, OR 97062
Phone: (888) 220-6861
Fax: (503) 692-0364

customerservice@warriorproducts.com
www.warriorproducts.com

6. Attach the awning with Warrior Awning Brackets to the MOD Rail. (The illustration below shows the Awning Bracket hardware components, and the order in which they are installed.)



- Position the awning on the outside of the rail with the rubber edge trim of the bracket contacting the side surface of the rail and the carriage bolts passing through the MOD rail cutout.
 - Place the Plastic U-Channel Bracket over the exposed carriage bolts of the bracket and also over the “teeth” of the MOD Rail cutout (as described above).
 - Next place the Backing Plate over the carriage bolts and up against the Plastic U-Channel bracket.
 - Finally, place a $\frac{1}{4}$ ” USS flat washer and Nyloc nut on the thread of each Carriage bolt and tighten to remove slack. Do not fully tighten until all brackets have been started.
 - When all hardware is started and slack has been removed, confirm that all brackets are positioned satisfactorily then tighten all nuts until they are snug.
7. Installation is complete.

If you need further assistance installing your product, please contact us by email at customerservice@warriorproducts.com or call us at (888) 220-6861.