

CHEVROLET IMPALA AND MALIBU BUICK REGAL AND LACROSSE CADILLAC XTS

12115

5/15/2020

PAGE 1 of 2

GROSS LOAD CAPACITY WHEN USED AS A WEIGHT CARRYING HITCH: 3500 LBS. TRAILER WEIGHT & 350 LBS. TONGUE WEIGHT.

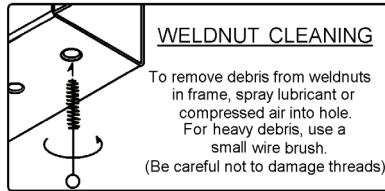
DO NOT EXCEED VEHICLE MANUFACTURER'S RECOMMENDED TOWING CAPACITY.

WARNING: ALL NON-TRAILER LOADS APPLIED TO THIS PRODUCT MUST BE SUPPORTED BY 18050 STABILIZING STRAPS.

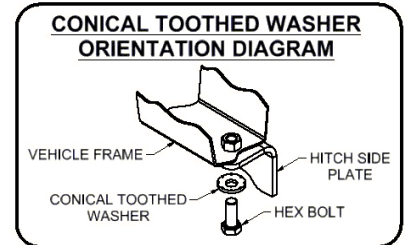
** FAILURE TO PROPERLY SUPPORT NON-TRAILER LOADS WILL VOID PRODUCT WARRANTY**

HAVING INSTALLATION QUESTIONS? CALL TECHNICAL SUPPORT AT 1-877-287-8634

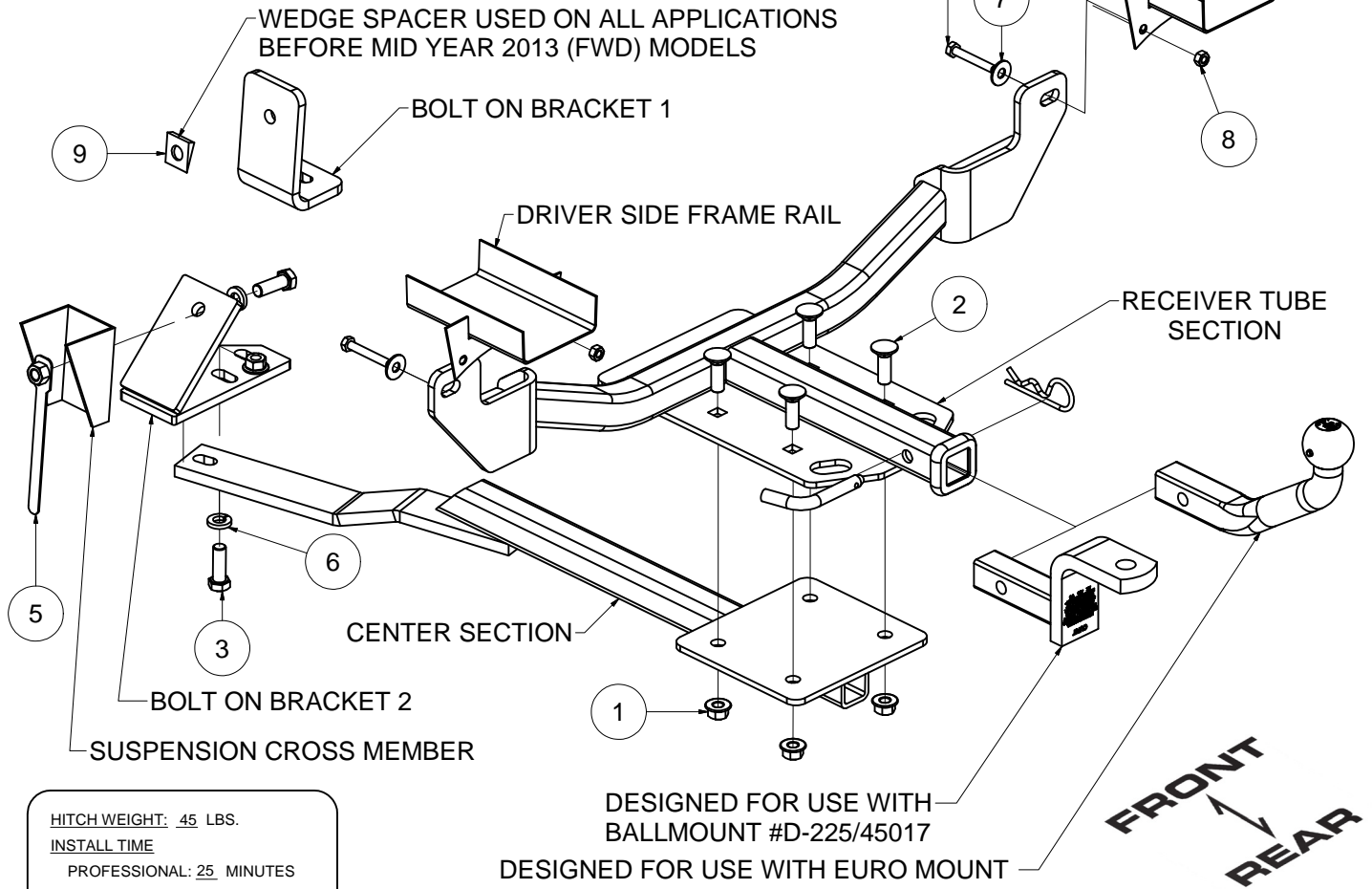
Parts List			
ITEM	QTY	PART NUMBER	DESCRIPTION
1	5	20-00062	NUT,SER-FLANGE,1/2-13 UNC,GRD8,YZ
2	4	10-10287	BOLT,CAR,1/2-13 UNC,1-1/2,GRD8,YZ
3	2	10-10334	HHCS,1/2-13 UNC,1-1/2,GRD8,YZ
4	2	10-10454	HHCS,M8x1.25,55,CL10.9,YZ
5	1	20-00174	NUT,HANDLE,1/2-13 UNC,GRD8,CZ
6	2	30-00153	WASHER,LOCK,1/2,YZ
7	2	30-00148	WASHER,S-CON,3/8,YZ
8	2	20-00178	NUT,HEX,M8x1.25,CL10,YZ
9	1	CM-SP38	1/2" WEDGE SPACER



TOOLS REQUIRED
RATCHET
TORQUE WRENCH
13mm & 3/4 SOCKETS
WIRE PIPE BRUSH
AVIATION SHEARS
1/2" DRILL BIT
POWER DRILL



PASSENGER SIDE FRAME RAIL



HITCH WEIGHT: 45 LBS.

INSTALL TIME

PROFESSIONAL: 25 MINUTES

NOVICE (DIY): 50 MINUTES

INSTALL NOTES:

-HOLE ENLARGEMENT REQUIRED ON SELECT MODELS

-USE EXISTING WELDNUTS

-TRIM REQUIRED ON SELECT MODELS

PERIODICALLY CHECK THIS RECEIVER HITCH TO ENSURE THAT ALL FASTENERS ARE TIGHT AND THAT ALL STRUCTURAL COMPONENTS ARE SOUND.

Curt Manufacturing LLC., warrants this product to be free of defects in material and/or workmanship at the time of retail purchase by the original purchaser. If the product is found to be defective, Curt Manufacturing LLC., may repair or replace the product, at their option, when the product is returned, prepaid, with proof of purchase. Alteration to, misuse of, or improper installation of this product voids the warranty. Curt Manufacturing LLC.'s liability is limited to repair or replacement of products found to be defective, and specifically excludes liability for incidental or consequential loss or damage.

