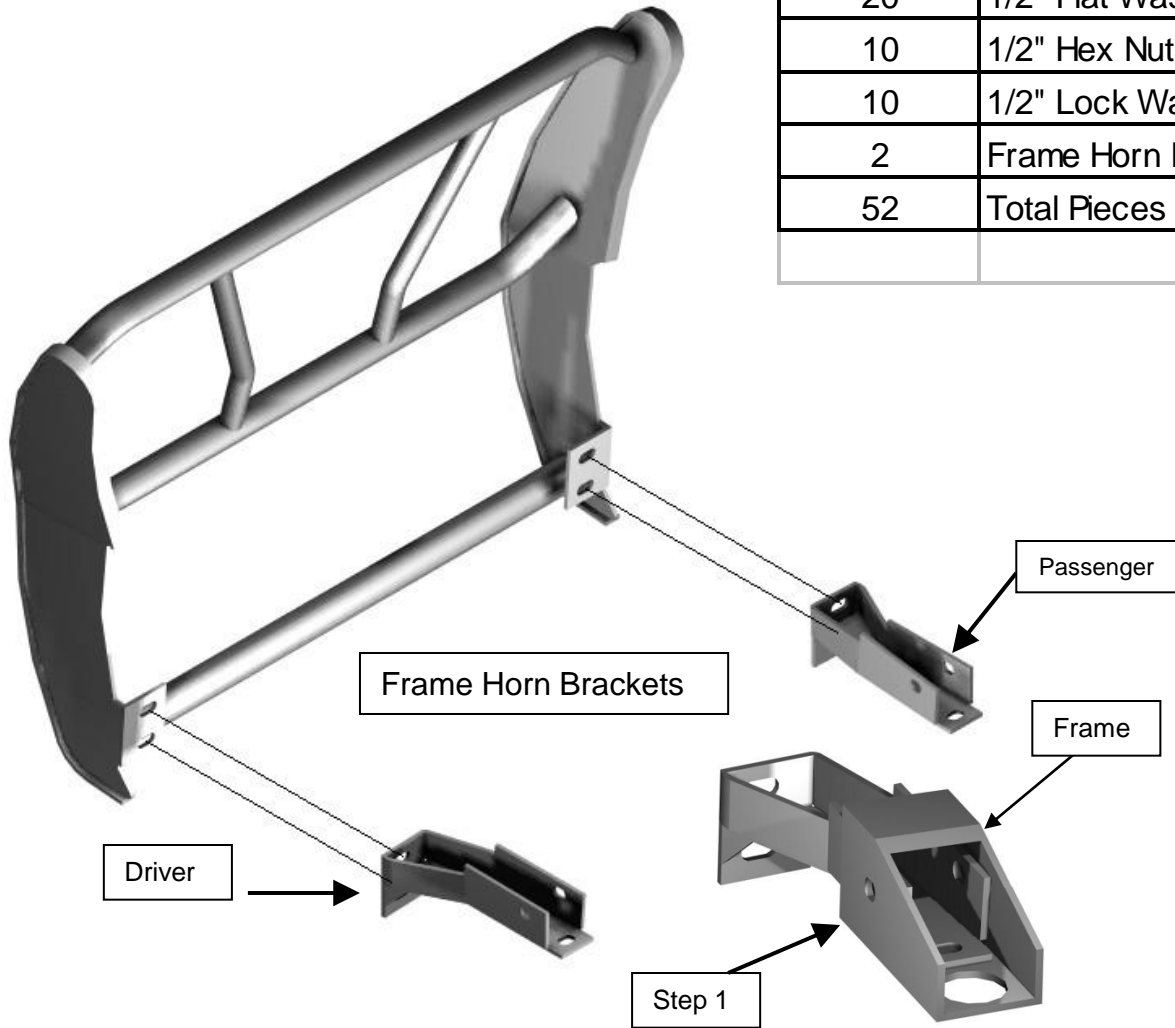


2007-2014 Suburban 2500 Grille Guard Installation Instructions.
Part # 200-20-7004

| Bolt Bag Contents: | |
|--------------------|---------------------|
| Quantity | Description |
| 10 | 1/2" X 1 3/4" Bolts |
| 20 | 1/2" Flat Washers |
| 10 | 1/2" Hex Nuts |
| 10 | 1/2" Lock Washers |
| 2 | Frame Horn Brackets |
| 52 | Total Pieces |



Step 1: Remove factory tow hook if the truck has one. Mount Frame Horn Bracket as shown in the picture using the (3) tow hook bolt holes. **ATTENTION:** space is tight so work from the back to front when putting in bolts!! Use the large hole in the truck frame to access the back tow hook bolt.

Step 3: Once brackets are tight to vehicle frame you can attach the Grille Guard feet to the brackets using the provided bolts.

Step 4: Check alignment of Grille Guard to truck before tightening bolts on the feet.