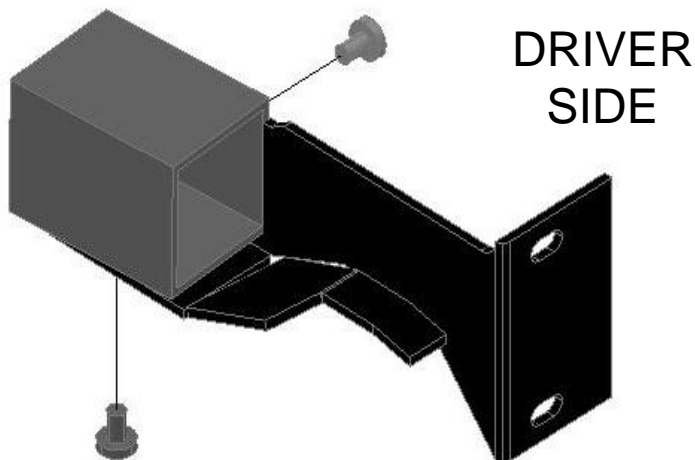
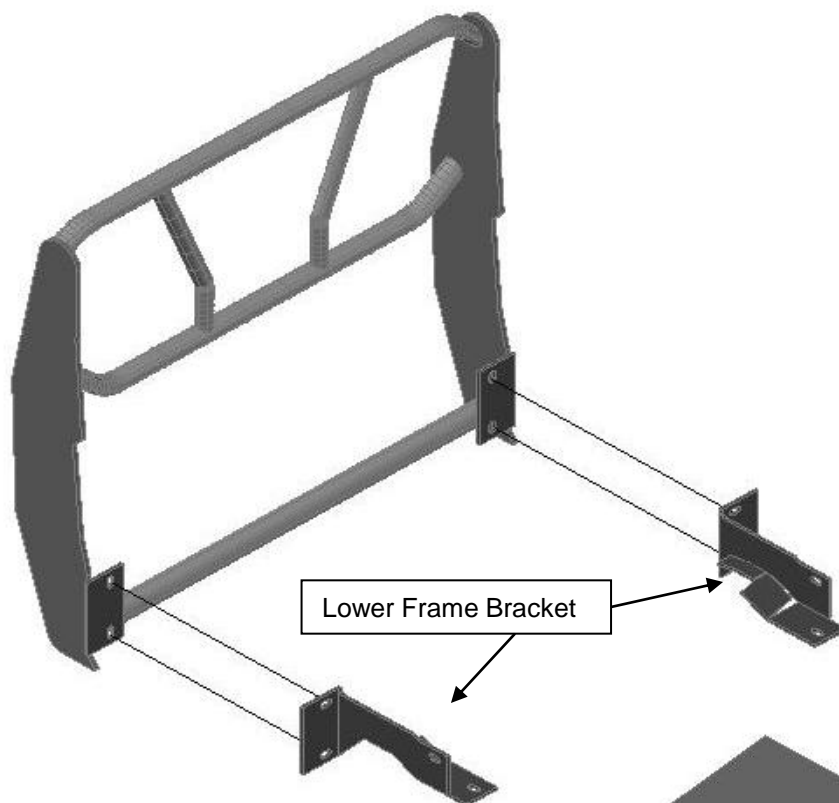


2015 Chevrolet 2500HD-3500HD
GG Part # 200-21-5006 (Sensors)
Part # 200-21-5007 (No Sensors)

FRONTIER
TRUCK GEAR

Bolt Bag Contents:

Qty	Description
8	1/2" X 1 3/4" Bolts
16	1/2" Flat Washers
8	1/2" Lock Washers
8	1/2" Hex Nuts
2	Lower Frame Brkts
42	Total Pieces



Step 1: Remove Tow Hooks if truck has them. Insert Lower Frame bracket through tow hook opening and cradle the frame on bottom and along outside. Re-install tow hook and tow hook bolts. PUSH BRACKET BACK TOWARD VEHICLE AS FAR AS IT CAN GO FOR ADDITIONAL SUPPORT.

Step 2: NON-TOW HOOK MODELS: You will have to CUT an access hole through the lower bumper valence in order to install Lower frame bracket.

Step 3: Install Lower Frame Support bracket by inserting through valence hole and cradle the frame on bottom and along outside. Use the 1/2" bolts provided to re-install and PUSH BRACKET BACK TOWARD VEHICLE BEFORE TIGHTENING FOR ADDITIONAL SUPPORT.

Step 5: Install Grille Guard feet to the lower frame brackets using the provided (1/2") bolts.

Step 6: Check alignment of Grille Guard to truck before tightening bolts on the lower brackets.