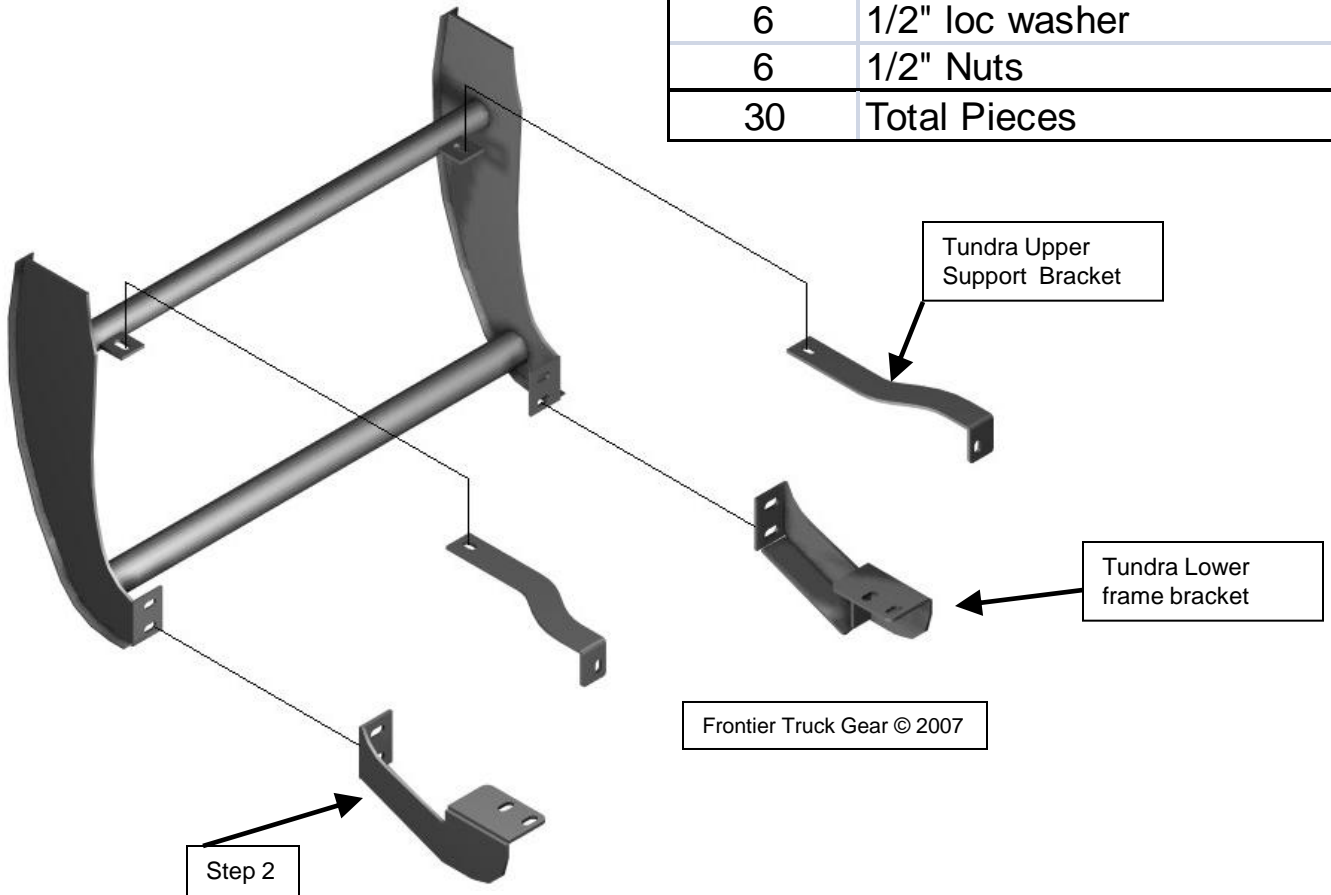


2007-2013 Toyota Tundra Installation Instructions. Part # 200-60-7003, 2014 Part # 200-61-4003, XGG 2014 Part # 700-61-4003

Bolt Bag Contents

Quantity	Description
6	1/2" X 1 3/4" Bolts
12	1/2" Flat Washers
6	1/2" loc washer
6	1/2" Nuts
30	Total Pieces



Step 1: Remove factory Tow Hooks from bottom of frame.

Step 2: Attach lower frame bracket using the factory bolts that held tow hook in place, as shown in diagram. Passenger and driver side.

Step 3: Attach upper support bracket to the top outside frame bolt that holds the factory crash bar to the frame of truck. Bracket will be inserted THROUGH the outside air vent hole in the factory bumper. ***(NOTE: 2010/2014 Tundras require you to cut out plastic grille in order to insert bracket through bumper)***

Step 4: Raise and mount Grille Guard by attaching upper support bracket to Grille Guard crossbar and lower foot to lower frame bracket (See Diagram).

Step 5: Check alignment of Grille Guard to truck from side to side and tighten bolts.