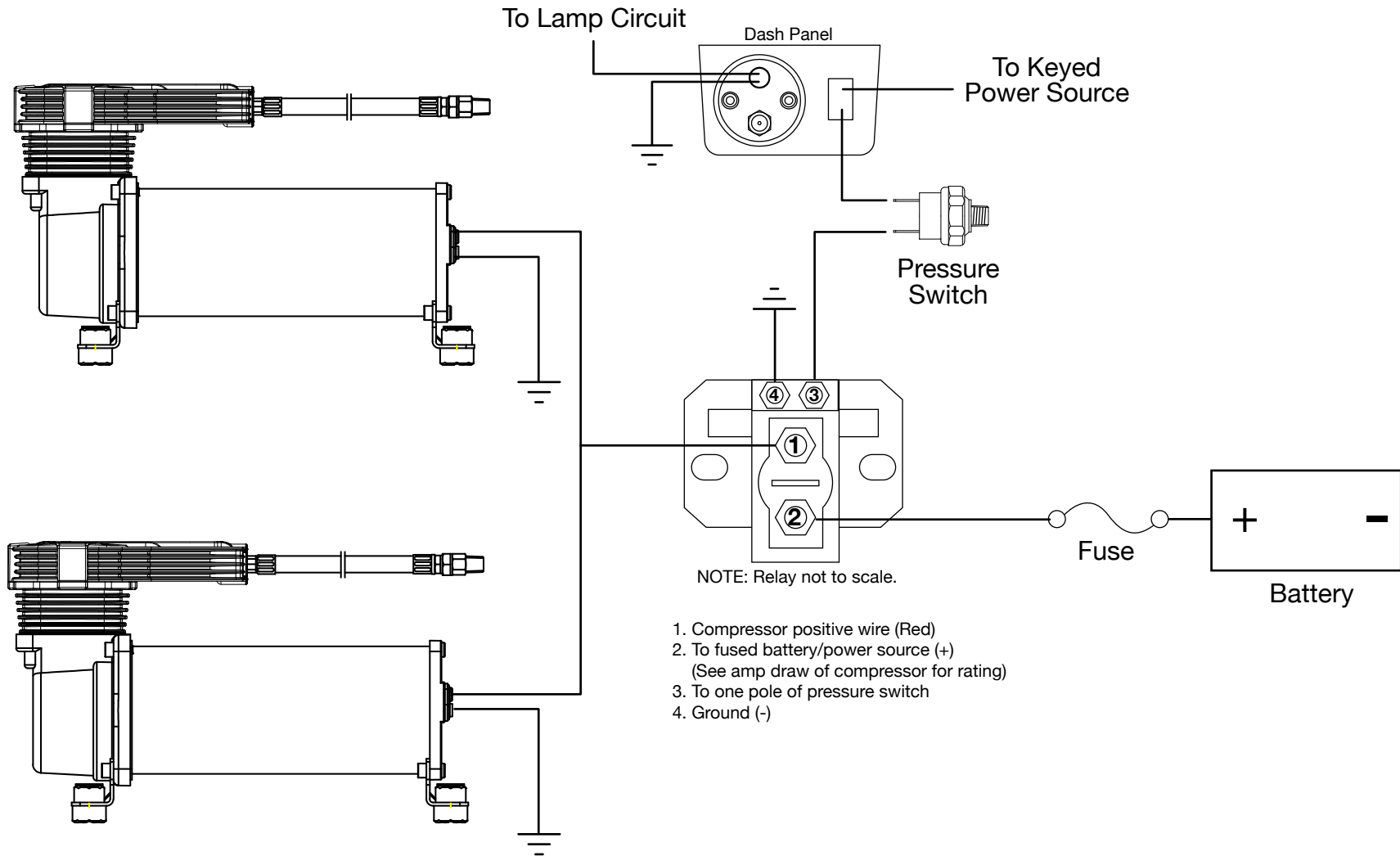




Your Vital Air Source

DUAL GEN.2 MODEL COMPRESSOR WIRING DIAGRAM

PN's 20075, 20175, 20085, 20185



15 Edelman
Irvine, CA 92618
949-585-0011
www.viaircorp.com