

2003-2005 Dodge FBR 1500-3500
Front Bumper Replacement Part #'s 300-40-3005
06-08 Dodge FBR 1500-3500 300-40-6005
03-08 Dodge Xtreme FBR 1500-3500 Part #600-40-6005
Installation instructions.

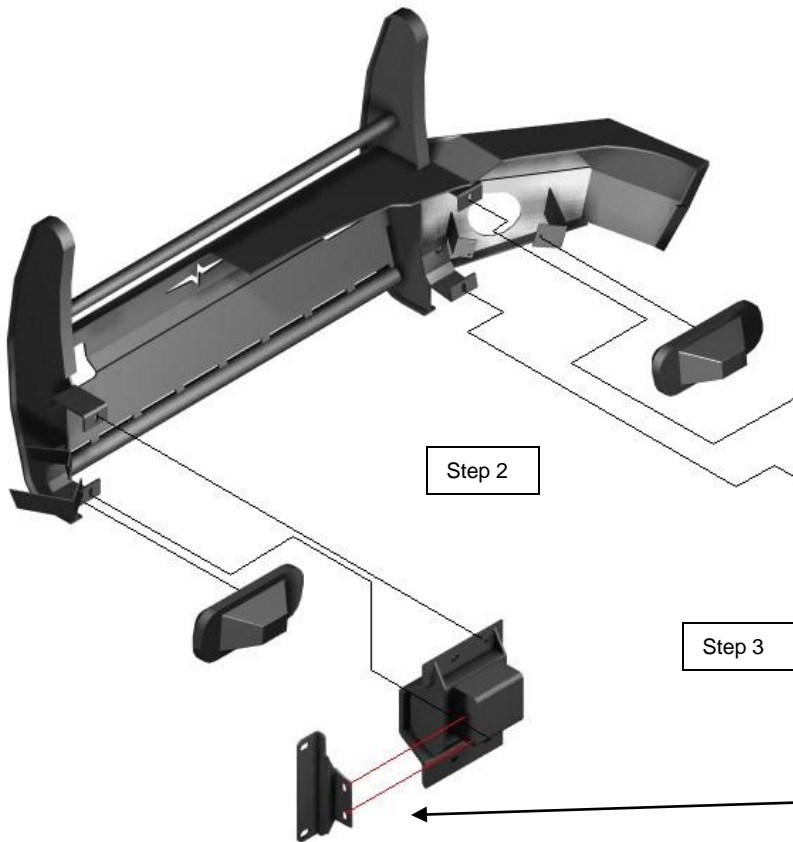
Bolt Bag Contents	
Quantity	Description
4	1/2" X 1 3/4" Bolts
4	1/2" Lock Washers
4	1/2" Hex Nuts
8	1/2" Flat Washers
2	1/4" X 1" Bolts
2	1/4" Lock Washers
2	1/4" Hex Nuts
4	1/4" Flat Washers
30	Total Pieces

Driver Side



Install bolts

**Support Brackets
(06-09 2500-3500
Models ONLY)**



- Step 1:** Remove factory bumper. Note: **Do not** remove factory tow hooks.
- Step 2:** Remove factory fog lights from bumper and install factory fog lights (if available) to front bumper replacement using factory bolts and nuts.
- Step 3:** Mount front end replacement (not shown) to frame horn using two 1/2" X 1-3/4" bolts per side. Install bolts to the holes on the outside of the frame cap.
- Step 4:** Check alignment of front end replacement to truck from side to side and tighten bolts. Check alignment of front bumper replacement up and down to truck and tighten all bolts.