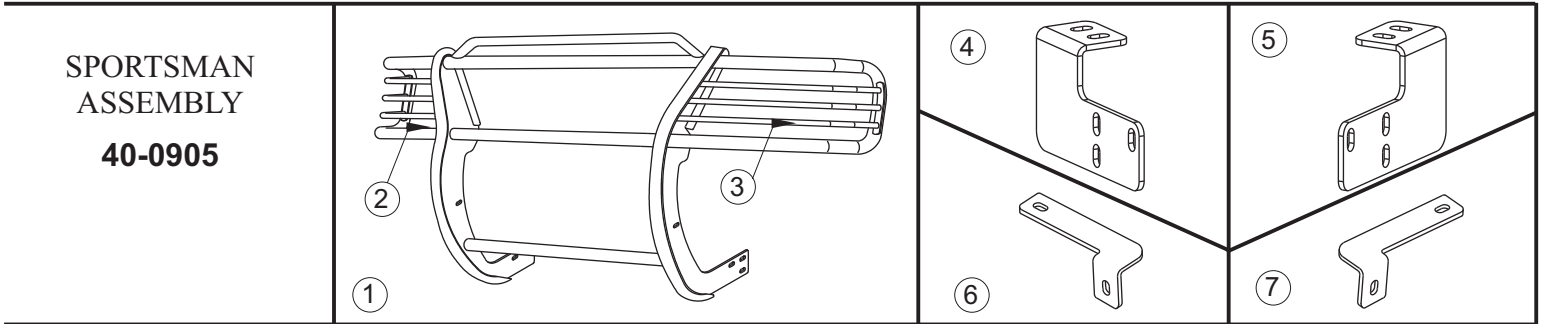




# INSTALLATION INSTRUCTIONS

APPLICATION: 1998-04 TOYOTA TACOMA 4 WHEEL DRIVE

AUTOMOTIVE PRODUCTS, INC.



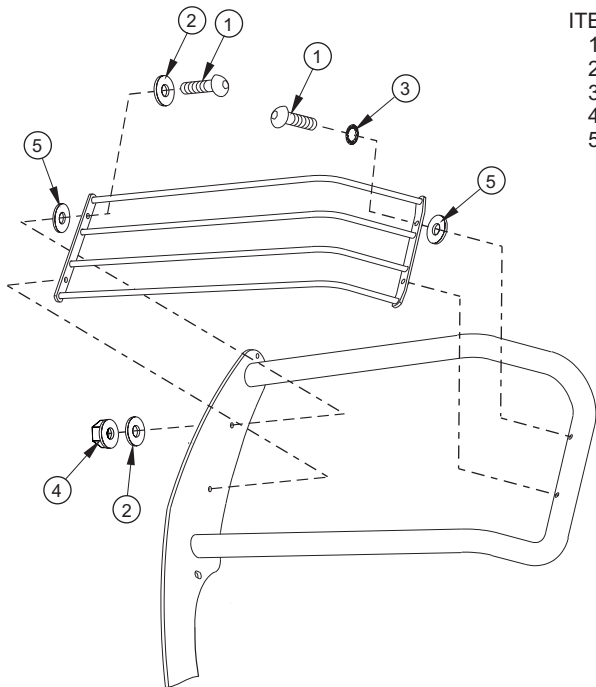
## PARTS KIT CONTENTS

ITEM	QTY	DESCRIPTION	ITEM	QTY	DESCRIPTION
1	1	SPORTSMAN ASSEMBLY	13	2	M10 HEX NUT
2,3	2	LIGHT GUARD ASSEMBLY, PASSENGER (2) AND DRIVER (3)	14	16	M12 FLAT WASHERS
4,5	2	BOTTOM BRACKET, PASSENGER (4) AND DRIVER (5)	15	8	M12 LOCK WASHERS
6,7	2	MOUNT BRACE, PASSENGER (6) AND DRIVER (7)	16	4	M10 FLAT WASHERS
8	2	SPACER TUBE	17	2	M10 LOCK WASHERS
9	2	M12 x 140MM Hex Head Bolt			
10	6	M12 x 35MM HEX BOLT			
11	2	M10 X 30MM HEX BOLT			
12	8	M12 HEX NUT			

## TOOLS REQUIRED

16MM SOCKET    16MM WRENCH    18MM SOCKET    18MM WRENCH    17MM SOCKET  
 DRILL    1/2" DRILL BIT    RATCHET    TORQUE WRENCH  
 TORQUE WRENCH    6" SOCKET EXTENSION

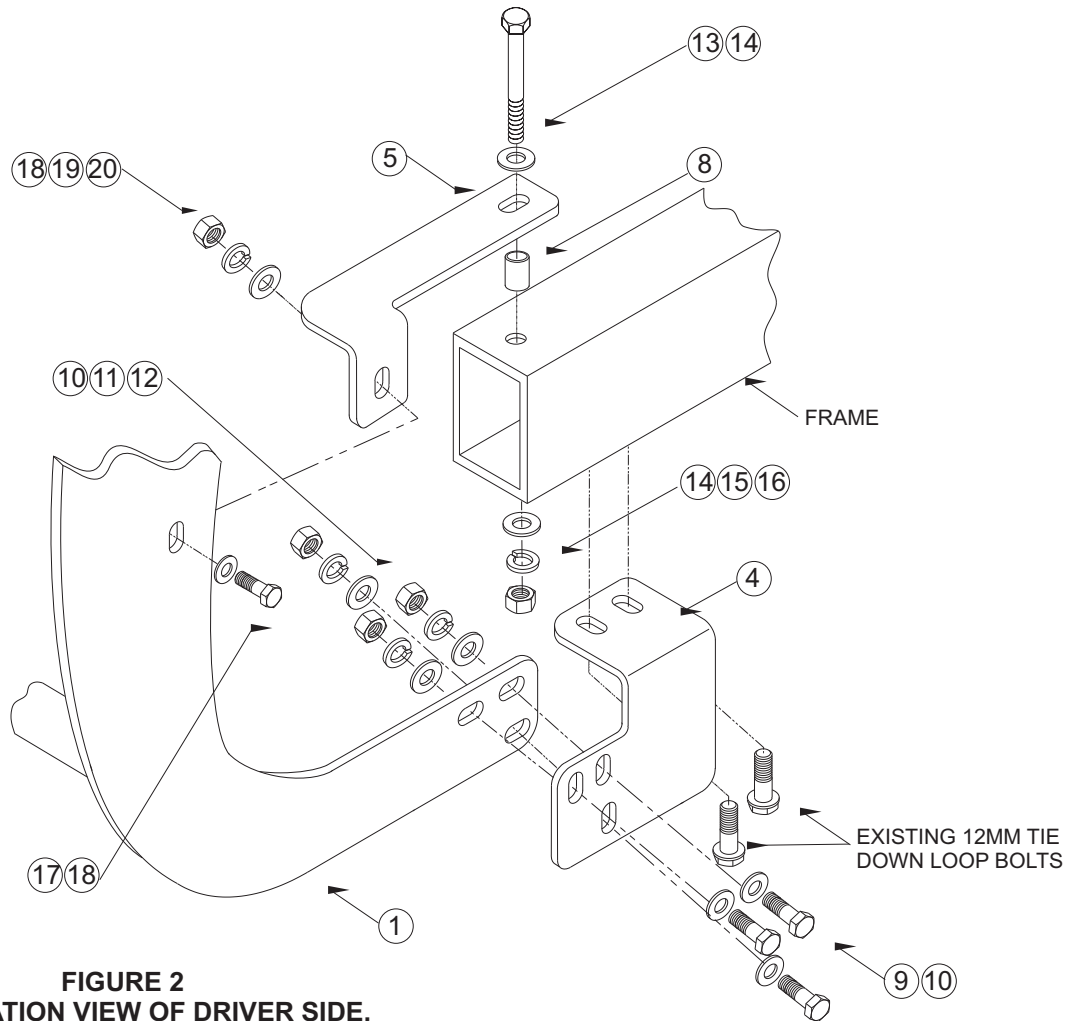
- STEP 1. Remove the contents from box and check for damage. Verify all parts are present. Read instructions completely before beginning.
- STEP 2. Attach light guard assemblies as shown. **SEE FIGURE 1.**
- STEP 3. Locate and remove the tie down loop/ tow hook bolts. Determine passenger and driver side mount brackets. Install mount brackets between frame and tie down loops (and tow hook passenger side) with previously removed bolts. Hand tighten.
- STEP 4. Place Sportsman Assembly face down under front of vehicle. Line up rear slot in mount bracket with the rear most slot in Sportsman Assembly. Attach Sportsman to brackets using M12 fasteners on each side as shown. Hand tighten. **SEE FIGURE 2.**
- STEP 5. Rotate Sportsman Assembly up towards bumper until remaining slots in mount brackets line up. Secure using remaining M12" fasteners on each side as shown. Hand tighten.
- STEP 6. Determine passenger and driver support braces. Attach support braces to uprights using M10" fasteners as shown. Attach support braces to vehicle with spacer between brace and frame as shown. **SEE FIGURE 2.** Some vehicles may require enlargement of holes in the frame using a 1/2" drill bit if necessary.
- STEP 7. Center and level Sportsman with vehicle and tighten all fasteners. Recommended torque specs are 61 Ft. Lbs. for 12mm tie down loop/tow hook bolts, 55 Ft. Lbs. for M12- x 140mm hex head bolt, 43 Ft.Lbs. for M12 fasteners, and 20 Ft. Lbs. for M10 fasteners.



ITEM	QTY.	DESCRIPTION
1	8	1/4-20 X 1.00" BUTTON HEAD BOLT
2	8	1/4" FLAT WASHER
3	4	1/4" INTERNAL TOOTH LOCK WASHER
4	4	1/4-20 NYLON NUT
5	8	RUBBER WASHER

NOTE: ALL FASTENERS MAY NOT BE USED.

**FIGURE 1**  
LIGHT GUARD INSTALLATION



**FIGURE 2**  
INSTALLATION VIEW OF DRIVER SIDE,  
PASSENGER SIDE OPPOSITE

Finish protection - Westin products have a high quality finish that must be cared for like any other exposed finish on the vehicle. Protect the finish with a non-abrasive automotive wax (pure carnauba, for example) on a regular basis. The use of cleaner wax or any compound which contains an abrasive is detrimental, as the compounds scratch the finish and open it to



Westin Automotive Products, Inc.  
5200 N. Irwindale Ave. Suite 220  
Irwindale, Ca. 91706

Thank You for choosing Westin products  
For additional installation assistance please call  
Customer service (800) 793-7846 or (507) 375-3559