



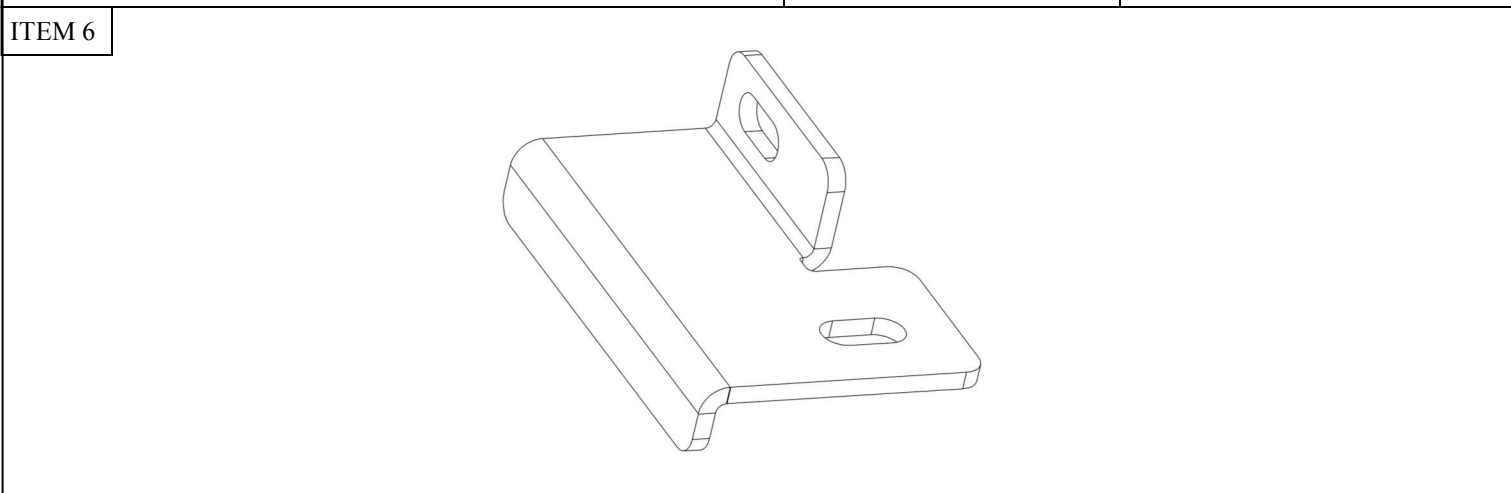
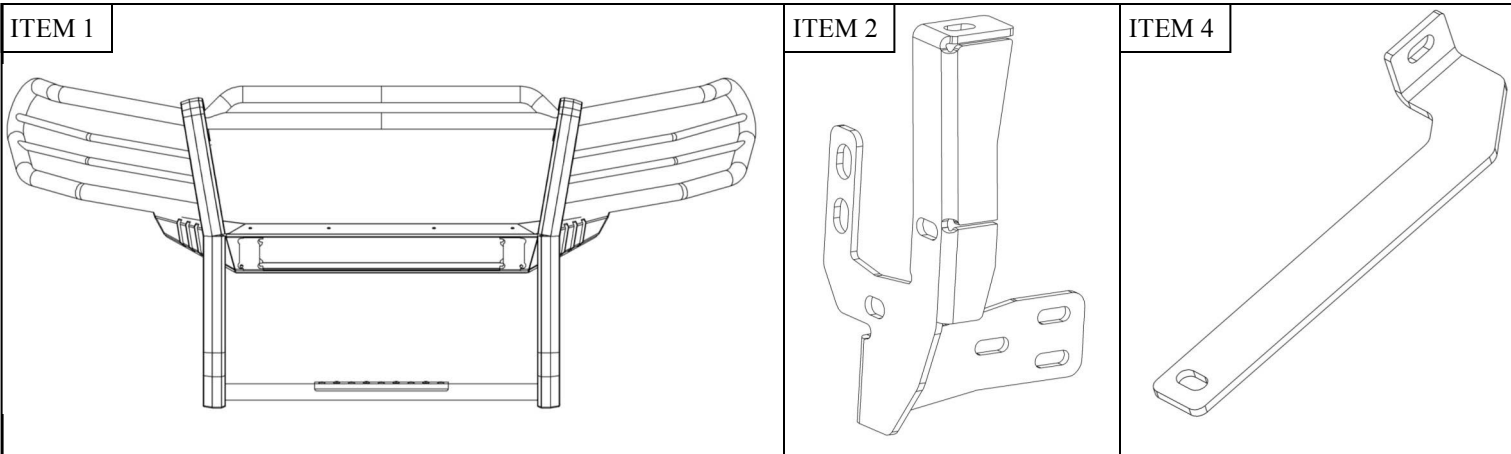
INSTALLATION INSTRUCTIONS

SPORTSMAN X GRILLE GUARD

APPLICATION:
2016-2019 Toyota Tacoma
PART NUMBER:
40-33885

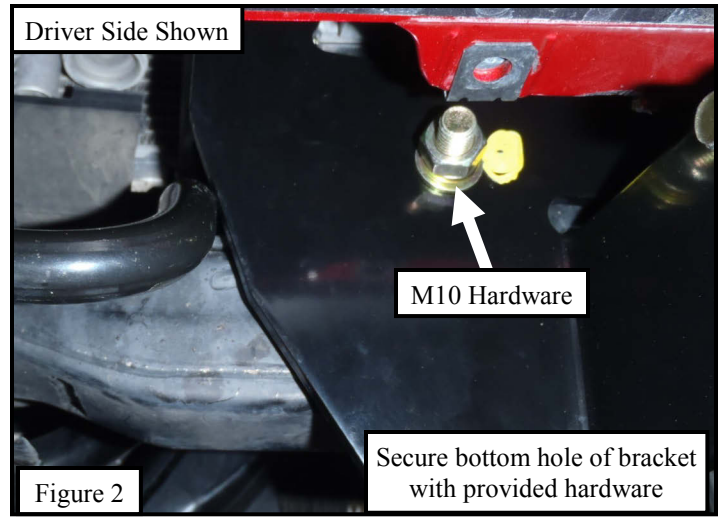
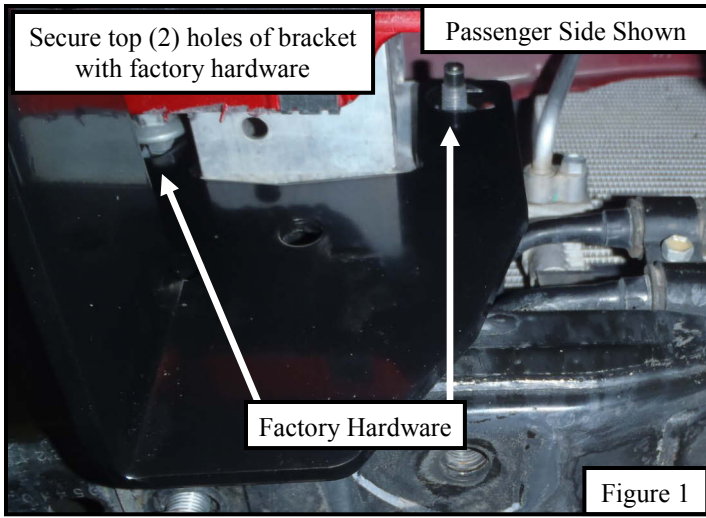
ITEM	QUANTITY	DESCRIPTION	TOOLS NEEDED
1	1	SPORTSMAN X GRILLE GUARD	16MM SOCKET
2,3	2	MOUNTING BRACKET, DRIVER(2) AND PASSENGER(3)	18MM SOCKET
4,5	2	SUPPORT STRAP, DRIVER(4) AND PASSENGER(5)	5MM ALLEN KEY
6,7	2	FRAME SUPPORT BRACKET, DRIVER(6) AND PASSENGER(7)	14MM SOCKET
8	8	M10 HEX SOCKET BUTTON HEAD BOLT (BLACK ZINC OR RAW) S/S	RATCHET
9	8	M10 FLAT WASHER (BLACK ZINC OR RAW) S/S	TORQUE WRENCH
10	8	M10 SERRATED FLANGE NUT (BLACK ZINC OR RAW) S/S	
11	2	M10 HEX HEAD BOLT (YELLOW ZINC)	
12	2	M12 SERRATED FLANGE HEX NUT (YELLOW ZINC)	
13	6	M12 HEX HEAD BOLT (YELLOW ZINC)	
14	4	M12 HEX NUT (YELLOW ZINC)	
15	12	M12 SMALL FLAT WASHER (YELLOW ZINC)	
16	6	M12 SPLIT LOCK WASHER (YELLOW ZINC)	
17	2	M12 LARGE FLAT WASHER (YELLOW ZINC)	

ANTI-SEIZE LUBRICANT MUST BE USED ON ALL STAINLESS STEEL FASTENERS TO PREVENT THREAD DAMAGE AND GALLING

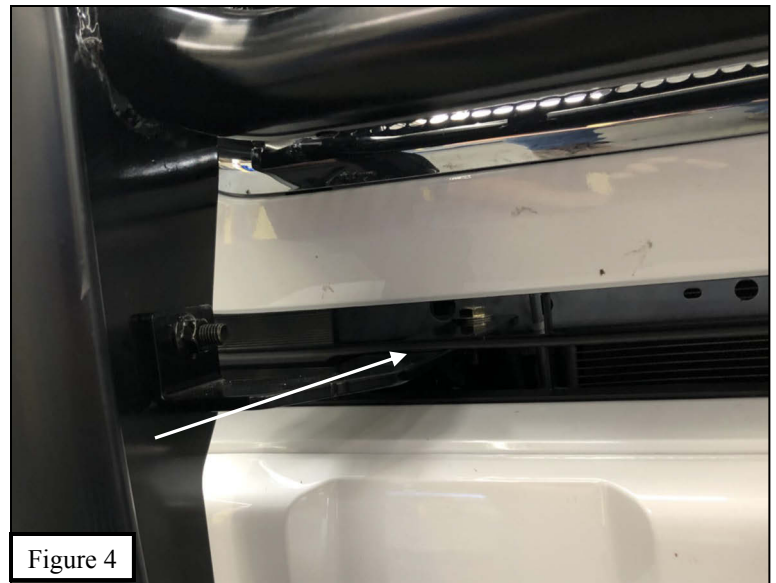
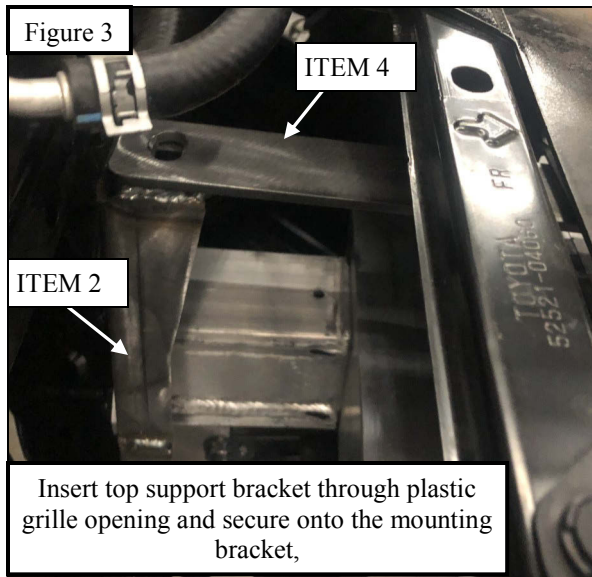


PROCEDURE

1. Remove contents from box, verify if all parts listed are present and free from damage. Carefully read and understand all instructions before attempting installation.
Failure to identify damage before installation could lead to a rejection of any claim.
2. Starting on the front side of the vehicle, from underneath vehicle, remove the three factory nuts that hold the bumper support frame to the vehicle frame. See **Figure 1**. **Note:** Lower valance trimming is required.
3. Attach the upper holes on the driver side mounting bracket with existing factory nuts. To attach the lower hole on the mounting bracket use the provided M10 hardware. Insert the hex head bolt with the large M10 flat washer through the frame and use the M12 washer as a spacer between the frame and mounting bracket. Use the M10 plastic retainer to hold the M12 flat washer in place then attach the mounting bracket. M10 plastic retainer is to secure both the M10 hex head bolt and M12 flat washer in place. See **Figure 2** and **Sportsman Grille Guard Assembly**.
4. Repeat steps 2 - 3 for the other side.



5. Slide the driver side support strap through the plastic grille opening. Attach the inner mounting location of the support strap to the main mounting bracket. See **Figure 4**. Assemble loosely. Refer to **Sportsman X Grille Guard Assembly**.
6. Repeat step 5 for the other side.



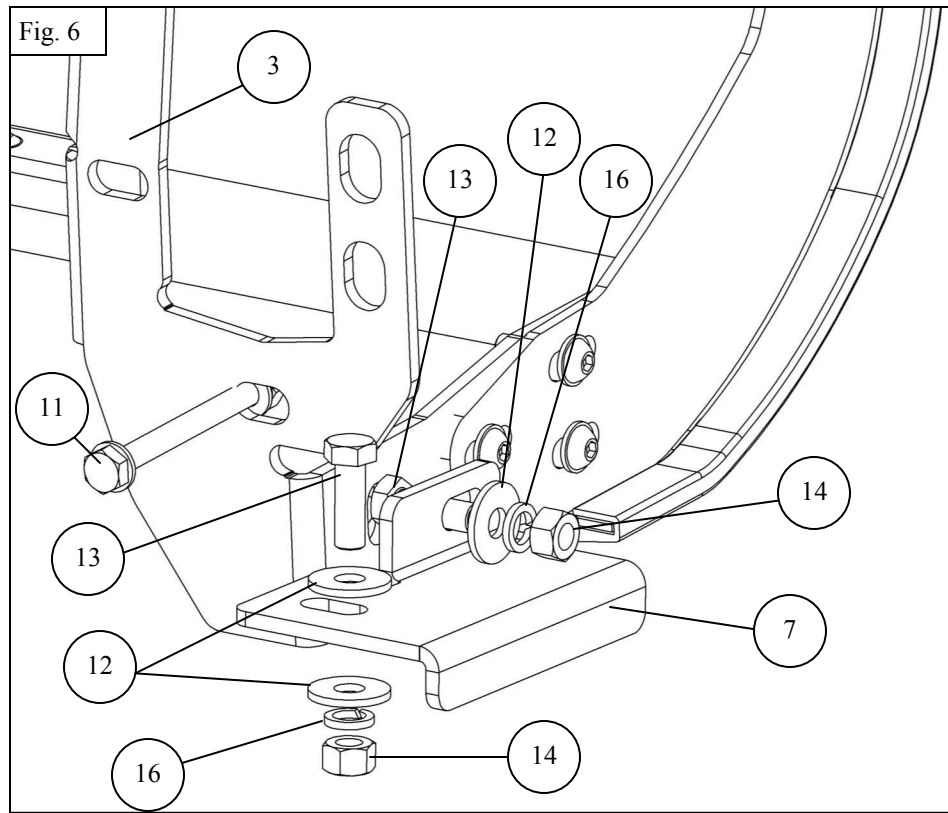
7. Loosely assemble the frame support bracket on the side of each main mounting bracket using the supplied M10 and M12 hardware. See **Figures 5-6**.

Fig. 5

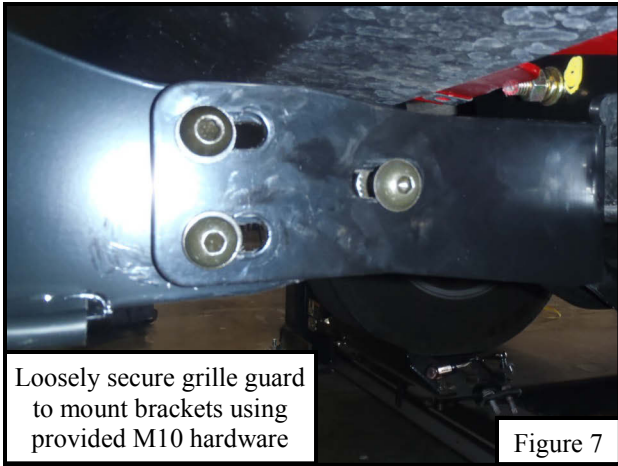


ITEM 7

Fig. 6

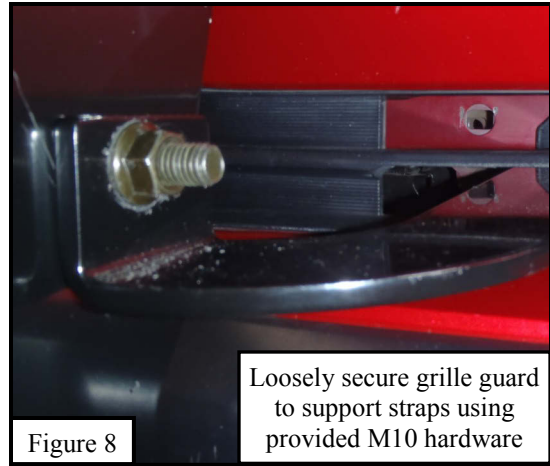


11. Using an assistant, position the Grille Guard on the inside of Mounting Brackets and the Support Straps. Use the included (8) M10 head socket button bolts, (8) M10 flat washers and (8) M10 serrated flange nuts. Assemble loosely. See **Figures 7** and **Figure 8**. Refer to **Sportsman X Grille Guard Assembly**.
12. Align and adjust the grille guard as necessary then tighten and torque all fasteners as follows: M10 to 25-30 ft-lbs, M12 to 45-50 ft-lbs.



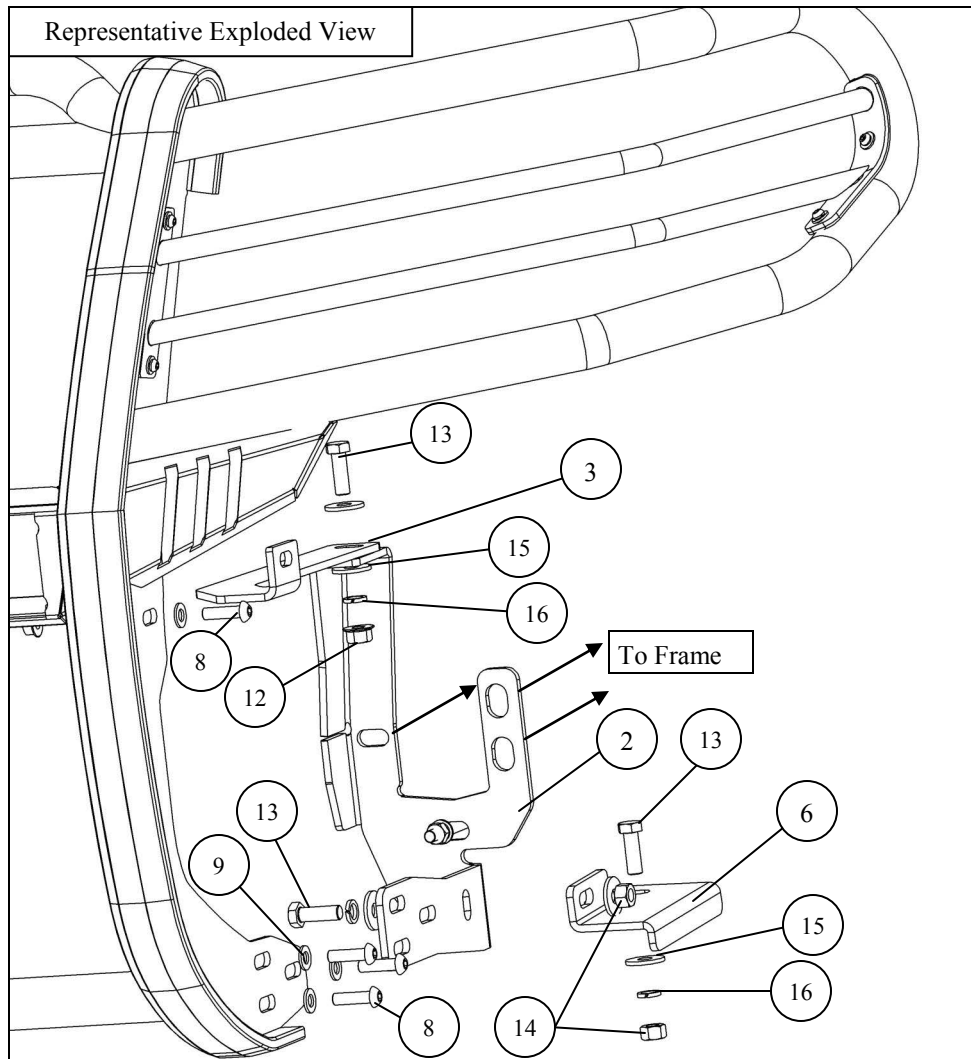
Loosely secure grille guard to mount brackets using provided M10 hardware

Figure 7



Loosely secure grille guard to support straps using provided M10 hardware

Figure 8



INSTALLATION COMPLETE



Sportsman X Center Mesh sold separately

CARE INSTRUCTIONS

- REGULAR WAXING IS RECOMMENDED. DO NOT USE ANY TYPE OF POLISH OR WAX THAT MAY CONTAIN ABRASIVES.
- STAINLESS STEEL PRODUCTS CAN BE CLEANED WITH MILD SOAP AND WATER. STAINLESS STEEL POLISH SHOULD BE USED TO POLISH SMALL SCRATCHES.
- GLOSS BLACK FINISHES SHOULD BE CLEANED WITH MILD SOAP AND WATER.

WESTIN

Westin Automotive Products, Inc.
320 W. Covina Blvd
San Dimas, Ca. 91773

Thank you for choosing Westin products
for additional installation assistance please call
Customer Service (800) 793-7846

www.westinautomotive.com



WARNING



Failure to follow these instructions could lead to death, personal injury, and / or property damage.

Failure to follow these instructions could lead to death, personal injury, and / or property damage.

FASTENERS:

All Westin supplied fasteners must be utilized and installed in accordance with the installation instructions and apply torque to the specifications as defined. **DOUBLE CHECK ALL FASTENERS BEFORE INITIAL USE, AND PERIODICALLY IN THE FUTURE TO ENSURE PROPER FUNCTION AND SAFETY.**

DRILLING:

Most Westin products do not require drilling for installation. If drilling is defined as required, use caution when drilling a vehicle. **FAILURE TO REVIEW AN AREA TO BE DRILLED MAY RESULT IN PERSONAL INJURY AND/OR INJURY TO OTHERS AS WELL AS VEHICLE DAMAGE.**

EYE PROTECTION:

ALWAYS WEAR SAFETY GLASSES OR GOGGLES DURING THE INSTALLATION PROCESS TO AVOID PERSONAL INJURY.

MAXIMUM TOWING/CARRYING CAPACITY: (if applicable)

The Westin Receiver Hitches will have a visible tow rating label affixed directly on the product. User should never exceed the vehicle manufacturers maximum tow and weight rating regardless of the capacity of the hitch. **FAILURE TO FOLLOW THESE GUIDELINES WILL VOID THE WESTIN WARRANTY AND MAY RESULT IN PERSONAL INJURY AND/OR INJURY TO OTHERS AS WELL AS VEHICLE DAMAGE.**

FOR CALIFORNIA RESIDENTS ONLY-PROP 65 WARNING:

Some products may contain chemicals such as DEHP, which can cause cancer, birth defects or other reproductive harm. For more info go to www.p65warnings.ca.gov



Westin Automotive Products, Inc.
320 W. Covina Blvd
San Dimas, Ca. 91773