

INSTALLATION INSTRUCTIONS

EVAP SKID PLATE



APPLICATION:

Jeep Wrangler 2012-2018 (Excl. JL)

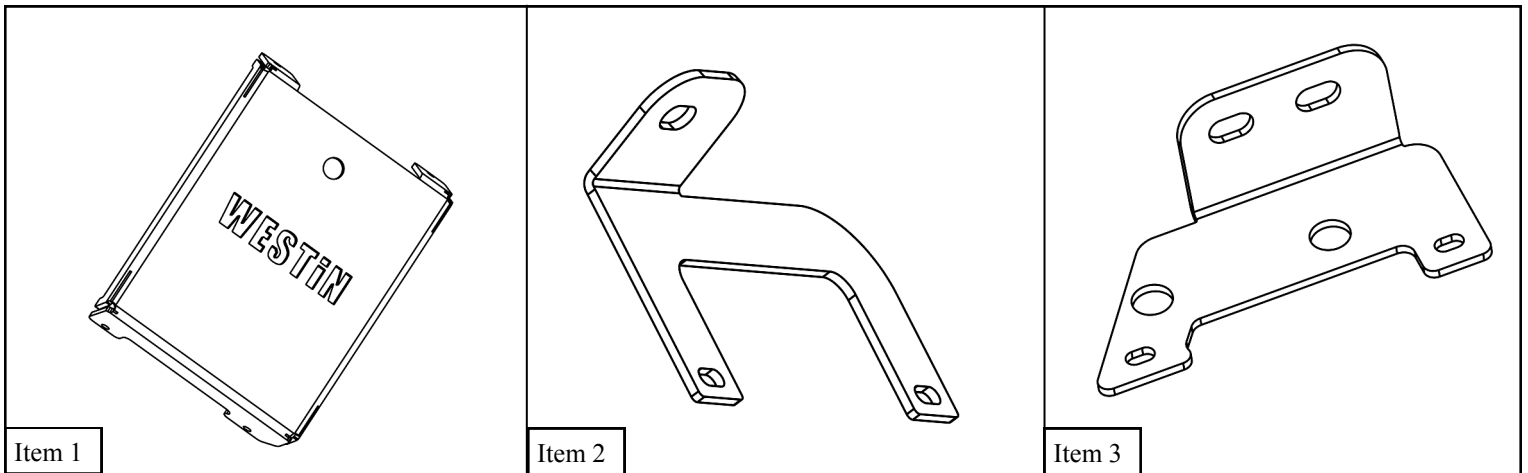
Jeep Wrangler Unlimited 2012-2018 (Excl. JL)

PART NUMBER:

42-21035

| CONTENT | | | |
|---------|----------|--------------------------------|--------------------|
| ITEM | QUANTITY | DESCRIPTION | TOOLS NEEDED |
| 1 | 1 | EVAP SKID PLATE | 16MM SOCKET |
| 2 | 1 | REAR BRACKET | RATCHET |
| 3 | 1 | FRONT BRACKET | TORQUE WRENCH |
| 4 | 4 | M6 BUTTON HEAD BOLT | 13MM SOCKET |
| 5 | 4 | M6 FLAT WASHER | 4MM ALLEN WRENCH |
| 6 | 4 | M6 SERRATED FLANGE NUT | NEEDLE NOSE PLIERS |
| 7 | 1 | M8 FLAT WASHER LARGE | 13MM WRENCH |
| 8 | 1 | M8 FLAT WASHER SMALL | |
| 9 | 1 | M8 SPLIT LOCK WASHER | |
| 10 | 1 | M8 HEX SOCKET BUTTON HEAD BOLT | |
| 11 | 1 | M8 HEX NUT | |

ANTI-SEIZE LUBRICANT MUST BE USED ON ALL STAINLESS STEEL FASTENERS TO PREVENT THREAD DAMAGE AND GALLING

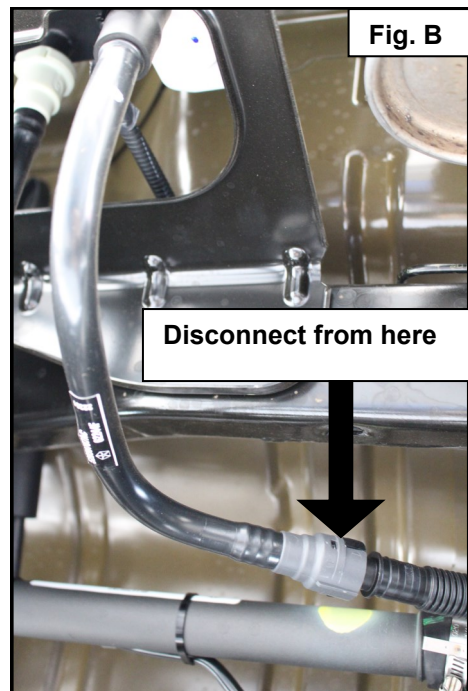
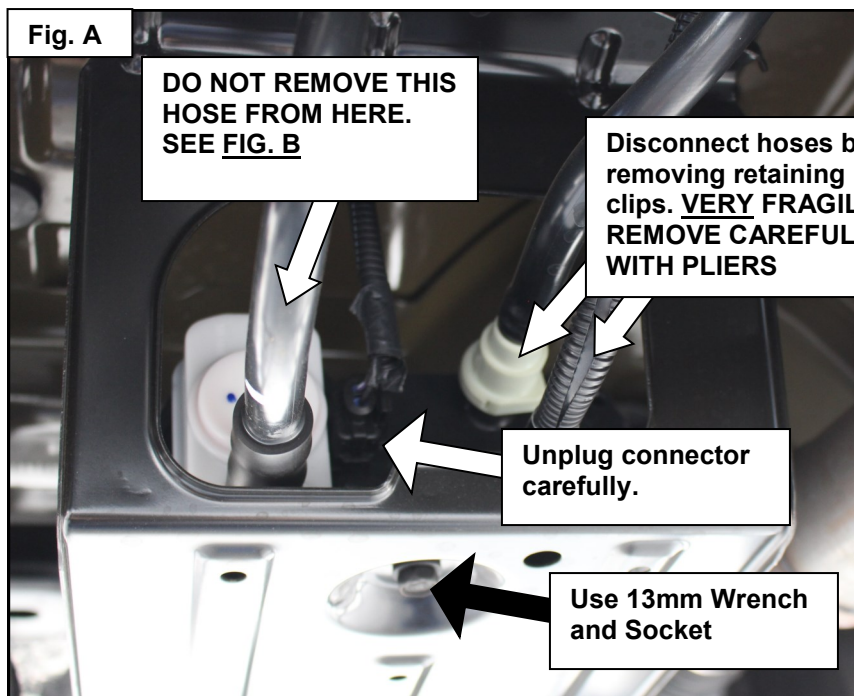


PROCEDURE

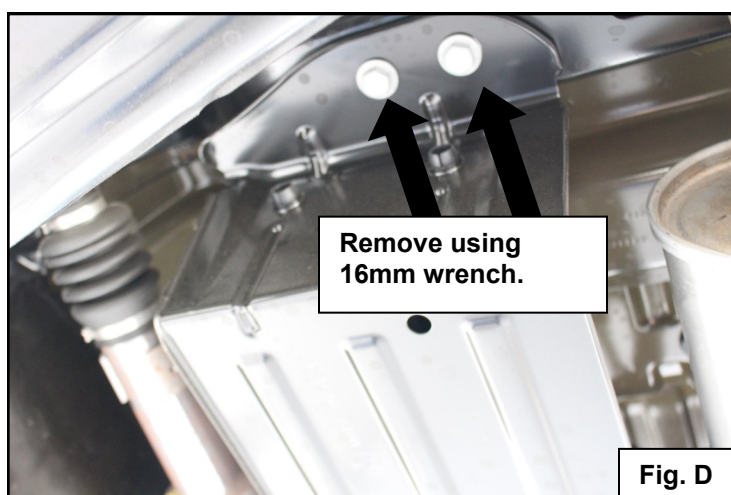
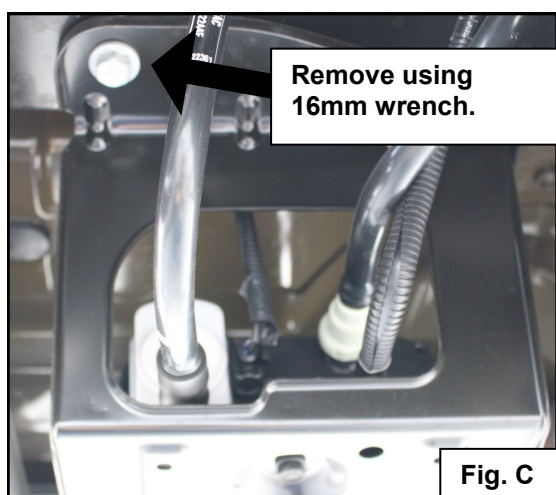
1. Remove contents from box, verify if all parts listed are present and free from damage.
Carefully read and understand all instructions before attempting installation.
(This skid plate can be installed by one person but it is highly recommended to have assistance of a second person.)
Failure to identify damage before installation could lead to a rejection of any claim.

2. Locate evap canister assembly and remove carefully by disconnecting connector and hoses (See **Figure A**) and by removing the 3 bolts holding the assembly to the vehicle frame. (See **Figures C & D**).

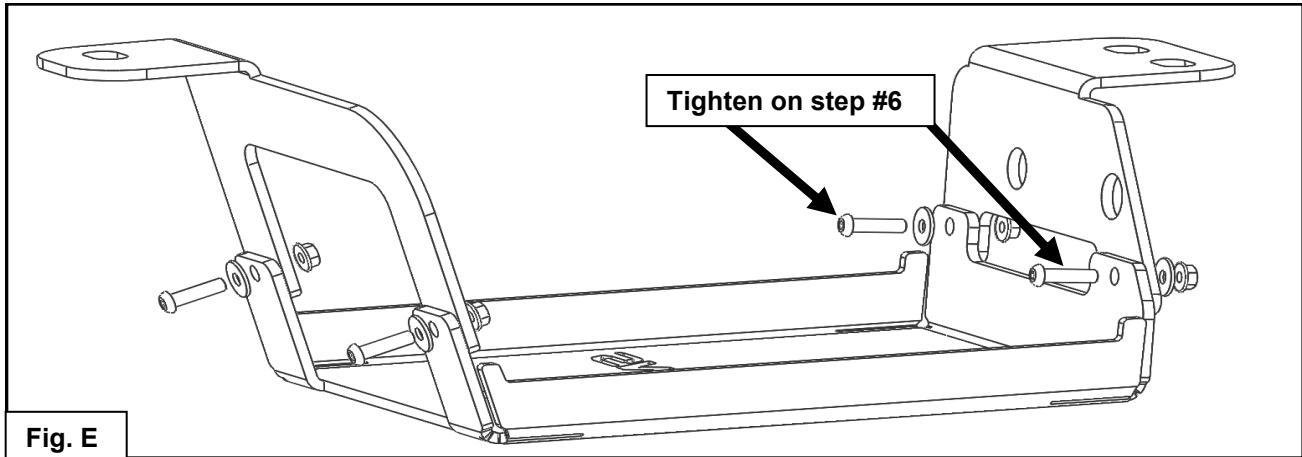
WARNING: PLASTIC FITTINGS FOR HOSES ON EVAP CANISTER ARE VERY FRAGILE, DISCONNECT CAREFULLY.



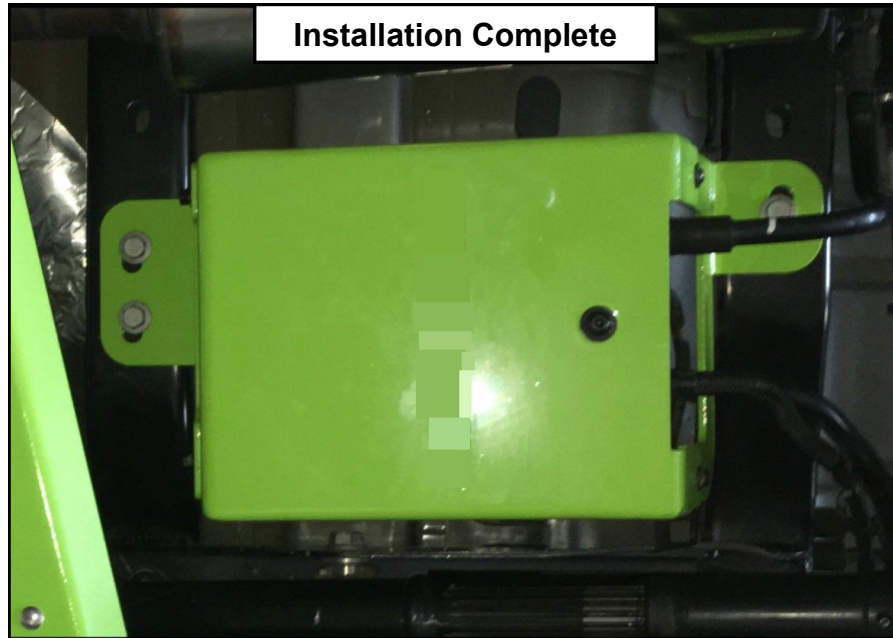
3. Proceed to remove the evap canister from the stock skid plate by removing the bolt at the bottom using a 13mm wrench and socket. See **Figure A**.



- Using the supplied M6 hardware (4-6), loosely assemble the evap skid plate and brackets (2 & 3) according to **Figure E**.
Note: Rear bracket (2) is placed inside of the skid plate and front bracket (3) is placed outside of the skid plate.



- Position the evap canister in the skid plate and fasten using the included M8 hardware (7-11). **Note:** Use the large M8 washer on the bottom of the skid plate.
- Tighten the front bracket to 5-7 ft-lbs and the bottom bolt to 15-17 ft-lbs. **Note:** Do not tighten the rear bracket (2). It will be tightened at the end.
- Once evap canister is mounted in the skid plate, bolt the assembly onto the vehicle using the previously removed stock bolts and tighten to 30-35 ft-lbs. Then proceed to tighten rear bracket M6 hardware to 5-7 ft-lbs.
- Connect all hoses and the connector back to their original positions.



CARE INSTRUCTIONS

- REGULAR WAXING IS RECOMMENDED. DO NOT USE ANY TYPE OF POLISH OR WAX THAT MAY CONTAIN ABRASIVES.
- STAINLESS STEEL PRODUCTS CAN BE CLEANED WITH MILD SOAP AND WATER. STAINLESS STEEL POLISH SHOULD BE USED TO POLISH SMALL SCRATCHES.
- GLOSS BLACK FINISHES SHOULD BE CLEANED WITH MILD SOAP AND WATER.



WARNING



Failure to follow these instructions could lead to death, personal injury, and / or property damage.

Failure to follow these instructions could lead to death, personal injury, and / or property damage.

FASTENERS:

All Westin supplied fasteners must be utilized and installed in accordance with the installation instructions and apply torque to the specifications as defined. **DOUBLE CHECK ALL FASTENERS BEFORE INITIAL USE, AND PERIODICALLY IN THE FUTURE TO ENSURE PROPER FUNCTION AND SAFETY.**

DRILLING:

Most Westin products do not require drilling for installation. If drilling is defined as required, use caution when drilling a vehicle. **FAILURE TO REVIEW AN AREA TO BE DRILLED MAY RESULT IN PERSONAL INJURY AND/OR INJURY TO OTHERS AS WELL AS VEHICLE DAMAGE.**

EYE PROTECTION:

ALWAYS WEAR SAFETY GLASSES OR GOGGLES DURING THE INSTALLATION PROCESS TO AVOID PERSONAL INJURY.

MAXIMUM TOWING/CARRYING CAPACITY:

The Westin Receiver Hitches will have a visible tow rating label affixed directly on the product. User should never exceed the vehicle manufacturers maximum tow and weight rating regardless of the capacity of the hitch. **FAILURE TO FOLLOW THESE GUIDELINES WILL VOID THE WESTIN WARRANTY AND MAY RESULT IN PERSONAL INJURY AND/OR INJURY TO OTHERS AS WELL AS VEHICLE DAMAGE.**



Westin Automotive Products, Inc.
320 W. Covina Blvd
San Dimas, Ca. 91773

Thank you for choosing Westin products
for additional installation assistance please call
Customer Service (800) 793-7846
www.westinautomotive.com