



INSTRUCTIONS—INSTRUCCIONES—CONSIGNES

APPLICATION: 2003-2007 CHEVY SILVERADO 1500 "CLASSIC"
APP PART # 46-21175, 45-91170, 40-91175
MAX WINCH TRAY/ WINCH MOUNTED GRILLE GUARD

AUTOMOTIVE PRODUCTS, INC.

ITEM	QUANTITY	DESCRIPTION	TOOLS NEEDED
1	1	WINCH TRAY	18MM SOCKET
2,3	2	WINCH TRAY MOUNTING BRACKETS (2) DRIVERS SIDE, (3) PASSENGER SIDE	18MM WRENCH
4	2	SUPPORT STRAPS	16MM SOCKET
5	2	10MM SPACERS	16MM WRENCH
6	4	M12 x 35MM BUTTON HEAD BOLTS	RATCHET
7	4	M12 x 50MM HEX HEAD BOLTS	TORQUE WRENCH
8	12	M12 LOCK WASHERS	8MM ALLEN WRENCH
9	24	M12 FLAT WASHERS	6MM ALLEN WRENCH
10	2	M12 NUT PLATES	
11	4	M12 x 30MM HEX HEAD BOLTS	
12	10	M12 HEX NUTS	
13	4	M10 HEX HEAD BOLTS	
14	8	M10 FLAT WASHERS	
15	4	M10 LOCK WASHER	
16	4	M10 HEX NUT	
17	2	M12 X 30MM BUTTON HEAD BOLTS (FOR OPTIONAL GRILLE GUARD)	
18	2	M12 LOCK WASHER (FOR OPTIONAL GRILLE GUARD)	
19	4	M12 FLAT WASHER (FOR OPTIONAL GRILLE GUARD)	
20	2	M12 HEX NUTS (FOR OPTIONAL GRILLE GUARD)	
21	4	M10 BUTTON HEAD BOLTS (FOR OPTIONAL GRILLE GUARD)	
22	8	M10 FLAT WASHERS (FOR OPTIONAL GRILLE GUARD)	
23	4	M10 LOCK WASHERS (FOR OPTIONAL GRILLE GUARD)	
24	4	M10 HEX NUTS (FOR OPTIONAL GRILLE GUARD)	

1. Remove contents from box, verify if all parts listed are present and free from damage. Carefully read and understand all instructions before attempting installation.
2. Starting from the front of the vehicle remove tow hooks if equipped. NOTE: the tow hooks will not be reused with this application. Once the tow hooks have been removed, remove the lower plastic valance by removing all factory fasteners and set aside.
3. Take the drivers side winch tray mounting bracket and align it with the outside of the frame. To attach the bracket to the bottom of frame take (1) M12 nut plate and place it in the frame and align it with the most rearward mounting hole, attach the bracket to the nut plate using (1) M12 x 50mm hex head bolt, (1) M12 lock washer, and (1) M12 flat washer FIG 1, repeat for passenger side . Once both mounting brackets have been loosely installed place the plastic valance over the mounting brackets and reattach at this time FIG 2. Take (1) 10mm spacer and place it between the frame and the front mounting hole on the bracket, attach using (1) M12 x 50mm hex head bolt, (2) M12 flat washers, (1) M12 lock washer, and (1) M12 hex nut FIG 3. To attach the mounting brackets to the side of the frame use (2) M12 x 30mm hex head bolts, (4) M12 flat washers, (2) M12 lock washers, and (2) M12 hex nuts FIG 4 and 5. Do not fully tighten at this time.
4. Take the support strap and attach it to the drivers side winch tray mounting bracket using (1) M10 hex head bolt (2) M10 flat washers, (1) M10 lock washer, and (1) M10 hex nut FIG 5. Repeat this for the passenger side
5. Take the winch tray and place it onto the mounting brackets align it with the corresponding mount holes. Attach the winch tray to the brackets using (4) M12 X 35MM button head bolts, (8) M12 flat washers, (4) M12 lock washers, and (4) M12 hex nuts.
6. Attach the support straps to the welded tabs on the winch tray using (2) M10 hex head bolts , (4) M10 flat washers, (2) M10 lock washers, and (2) M10 hex nuts FIG 6 . Do not fully tighten at this time.
7. Align and adjust winch tray as needed, then fully tighten all hardware. Torque all M12 fasteners to 50 ft lbs, M10 to 35 ft lbs.
8. To install the optional winch mounted grille guard, with assistance place the grille guard up to the outside of the winch tray. Align the mounting holes in the winch tray with the grille guard and attach to the winch tray using (4) M10 button head bolts, (8) M10 flat washers, (4) M10 lock washers, and (4) M10 hex nuts. Attach the lower mounting hole's using (2) M12 x 30MM button head bolts, (4) M12 flat washers, (2) M12 lock washers, and (2) M12 hex nuts FIG 7. Do not fully tighten at this time
9. Align and adjust grille guard as needed, then tighten all hardware at this time. Torque all M12 fasteners to 50 ft lbs, M10 to 35 ft lbs.

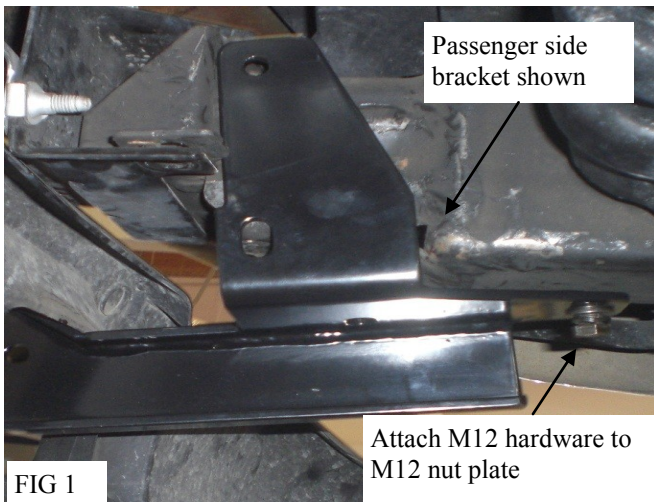
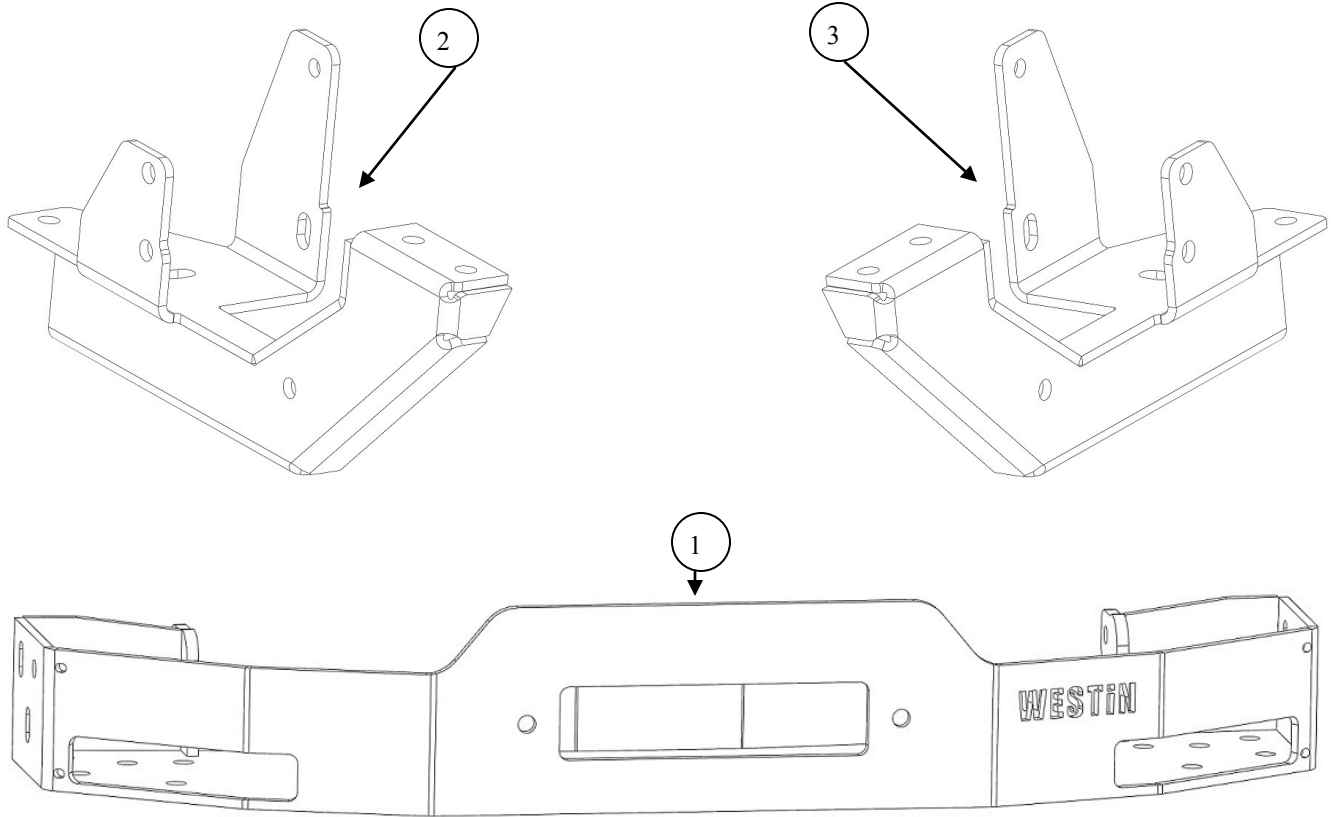


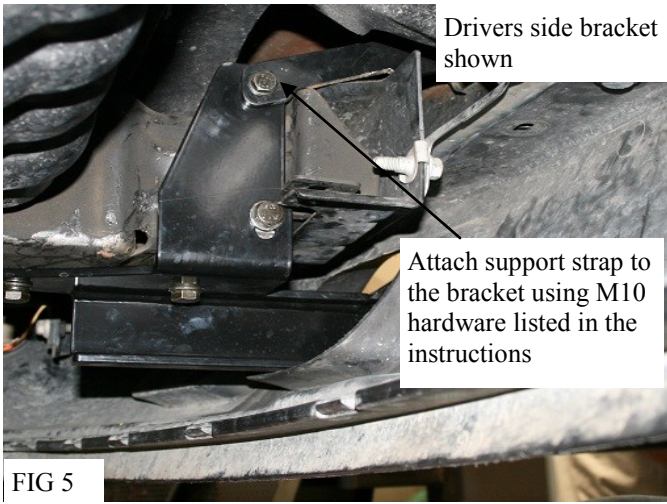
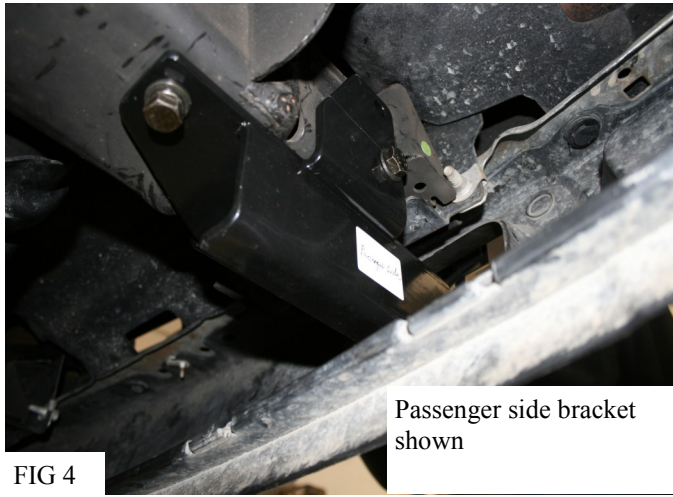
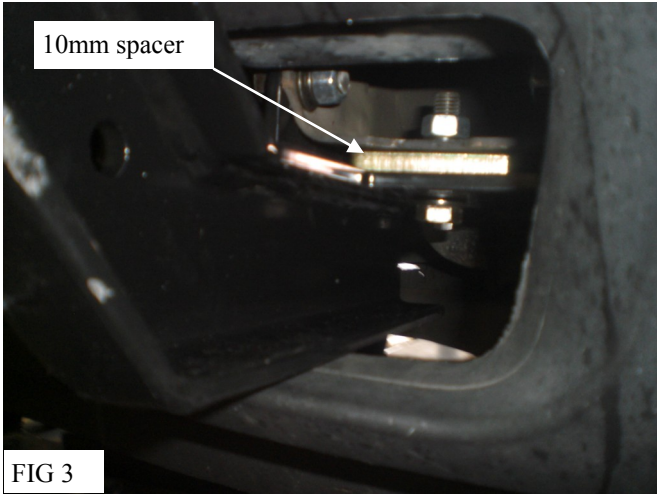
Westing Automotive Products, Inc.
5200 N. Irwindale Ave. Suite 220
Irwindale, Ca. 91706

Thank You for choosing Westin products
For Additional installation assistance please call
Customer service (800) 793-7846
www.westinautomotive.com

CARE INSTRUCTIONS

- REGULAR WAXING IS RECOMMENDED. DO NOT USE ANY TYPE OF POLISH OR WAX THAT MAY CONTAIN ABRASIVES
- STAINLESS STEEL PRODUCTS CAN BE CLEANED WITH MILD SOAP AND WATER. STAINLESS STEEL POLISH SHOULD BE USED TO POLISH SMALL SCRATCHES.
- GLOSS BLACK FINISHES SHOULD BE CLEANED WITH MILD SOAP AND WATER





WARNINGS & NOTICES FOR THE INSTALLATION OF MAX WINCH TRAY & SPORTSMAN—WINCH MOUNTS

NOTICE

Westin Max Winch Trays are designed to accommodate a winch bolt pattern of 10" X 4.5". Closely follow all Westin Installation Instructions for the proper installation of product. Improper installation can result in death, serious injury, and/or product and vehicle damage. In the operation of these products, it is imperative to observe precautions for your personal safety and the safety of others.

WARNING

Failure to follow these instructions could lead to death, personal injury, and / or property damage.

FASTENERS:

All Westin supplied fasteners must be utilized and installed in accordance with the installation instructions and apply torque to the specifications as defined. **DOUBLE CHECK ALL FASTENERS BEFORE PRODUCT USE TO ENSURE PROPER FUNCTION AND SAFETY.**

DRILLING:

Most Westin products do not require drilling for installation. If drilling is defined as required, use caution when drilling a vehicle. **FAILURE TO REVIEW AN AREA TO BE DRILLED MAY RESULT IN PERSONAL INJURY AND OR INJURY TO OTHERS AS WELL AS VEHICLE DAMAGE.**

EYE PROTECTION:

ALWAYS WEAR SAFETY GLASSES OR GOGLES DURING THE INSTALLATION PROCESS TO AVOID PERSONAL INJURY.

TOW HOOKS—TOW ATTACHMENT:

During product use, Tow Straps, Tow Cables, and Tow Hooks must only be attached to the Westin Tow Hook Loops as attached to the Max Winch Tray, (sold separately). **DO NOT ATTACH TO ANY OTHER AREA OR SERIOUS PERSONAL INJURY OR INJURY TO OTHERS MAY OCCUR.**

WINCH SIZING & MAX WINCH TRAY CAPACITY:

The Max Winch Tray is designed for a maximum Winch size rating of 12,000 Lbs. Use of Winch size ratings above this limit will void the Westin warranty and **MAY RESULT IN PERSONAL INJURY AND OR INJURY TO OTHERS AS WELL AS VEHICLE DAMAGE.**



Westing Automotive Products, Inc.
5200 N. Irwindale Ave. Suite 220
Irwindale, Ca. 91706

Thank You for choosing Westin products
For Additional installation assistance please call
Customer service (800) 793-7846
www.westinautomotive.com