

# INSTALLATION INSTRUCTIONS

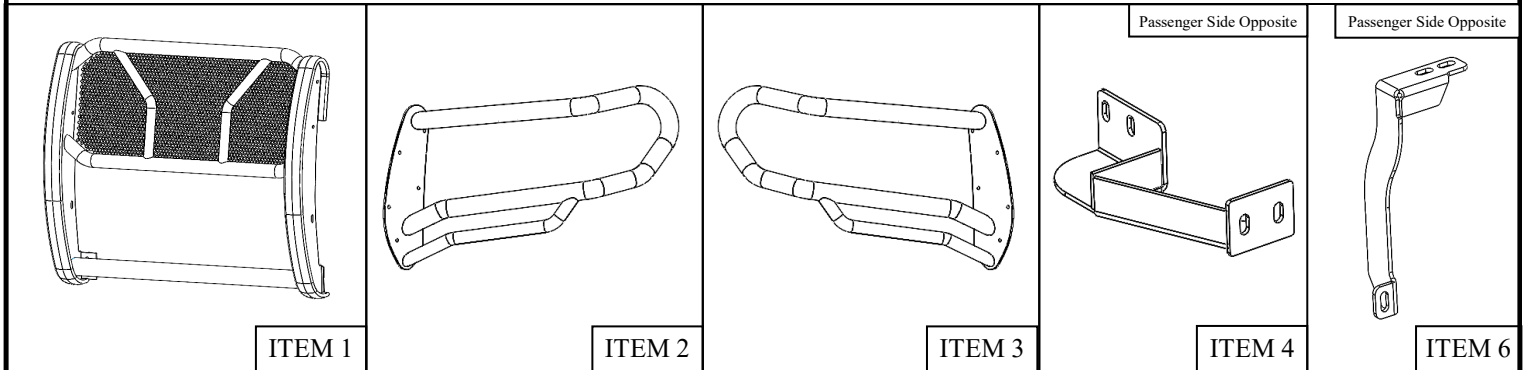
## HDX MODULAR GRILLE GUARD



**APPLICATION:**  
2014-2021 Toyota Tundra (Excl. w/ Sensors)  
**PART NUMBER:**  
57-23705

CONTENT			
ITEM	QUANTITY	DESCRIPTION	TOOLS NEEDED
1	1	HDX GRILLE GUARD BASE	14MM SOCKET
2	1	HDX DRIVER WING	RATCHET
3	1	HDX PASSENGER WING	TORQUE WRENCH
4	1	DRIVER LOWER MOUNTING BRACKET	SCREWDRIVER
5	1	PASSENGER LOWER MOUNTING BRACKET	ALLEN WRENCH
6	1	DRIVER UPPER SUPPORT BRACKET	17MM SOCKET
7	1	PASSENGER UPPER SUPPORT BRACKET	18MM SOCKET
8	6	M12 FLANGE NUTS	18MM WRENCH
9	4	M12 FLANGE BOLTS	UTILITY KNIFE
10	2	M12 BUTTON HEAD BOLTS	
11	2	M12 BELLVILLE WASHER	
12	10	M8 BUTTON HEAD HEX SOCKET BOLT	
13	10	M8 BELLVILLE WASHER	
14	10	M8 SERRATED FLANGE NUT	

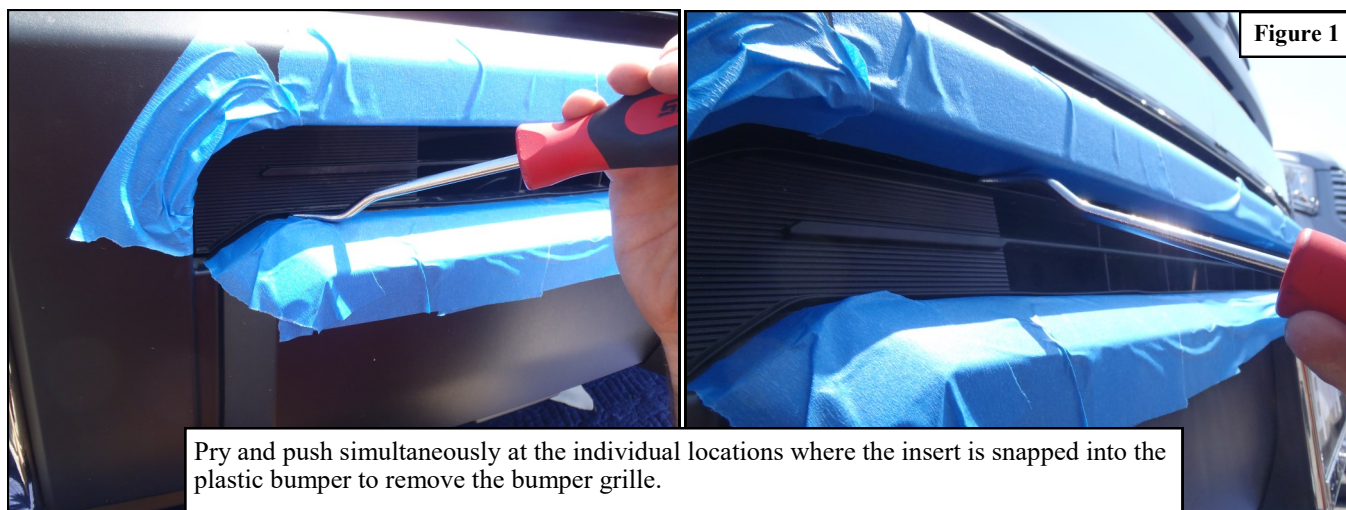
**ANTI-SEIZE LUBRICANT MUST BE USED ON ALL STAINLESS STEEL FASTENERS TO PREVENT THREAD DAMAGE AND GALLING**



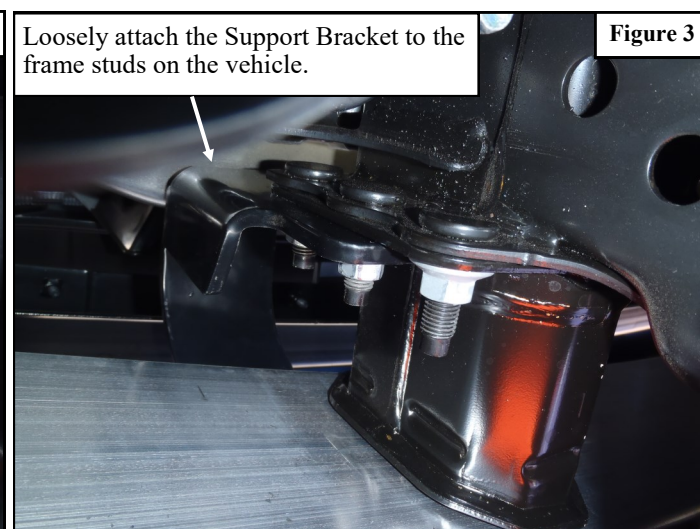
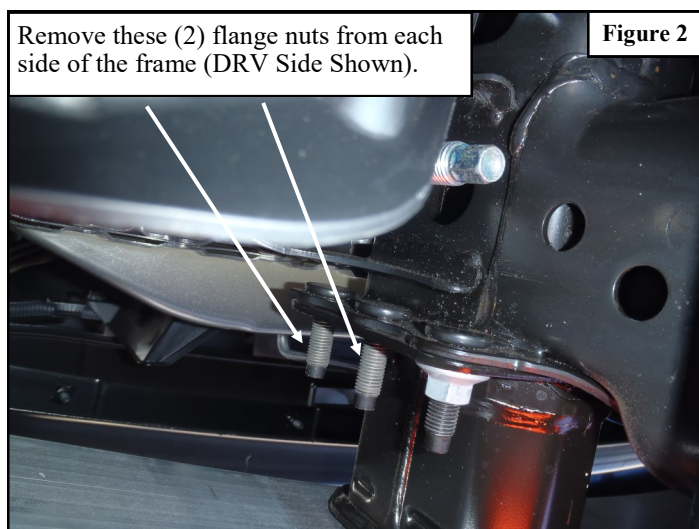
### PROCEDURE

1. Remove contents from box, verify if all parts listed are present and free from damage.  
Carefully read and understand all instructions before attempting installation.  
**Failure to identify damage before installation could lead to a rejection of any claim.**

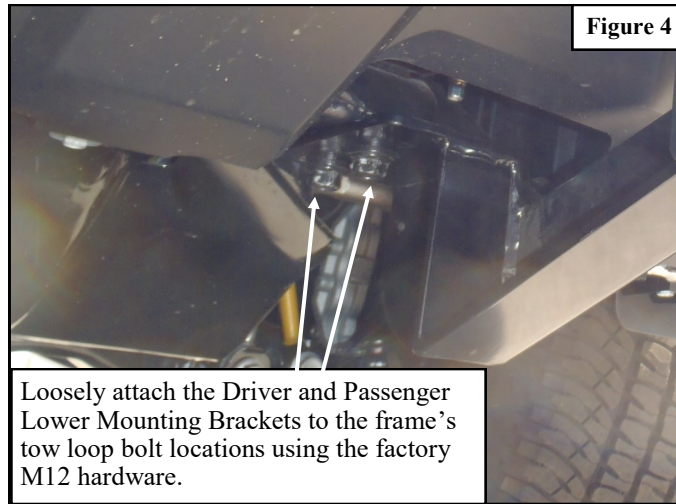
2. Remove the factory tow hooks and/or transport tie down loops from the front of the vehicle. Save the OEM factory M12 bolts; they will be re-used.
3. Remove the plastic bumper grille by pushing in and simultaneously prying up at each individual location where there is a plastic snap. **Note:** *It is recommended to place masking tape on the plastic bumper first to avoid scratching it. See Figure 1 for reference.*



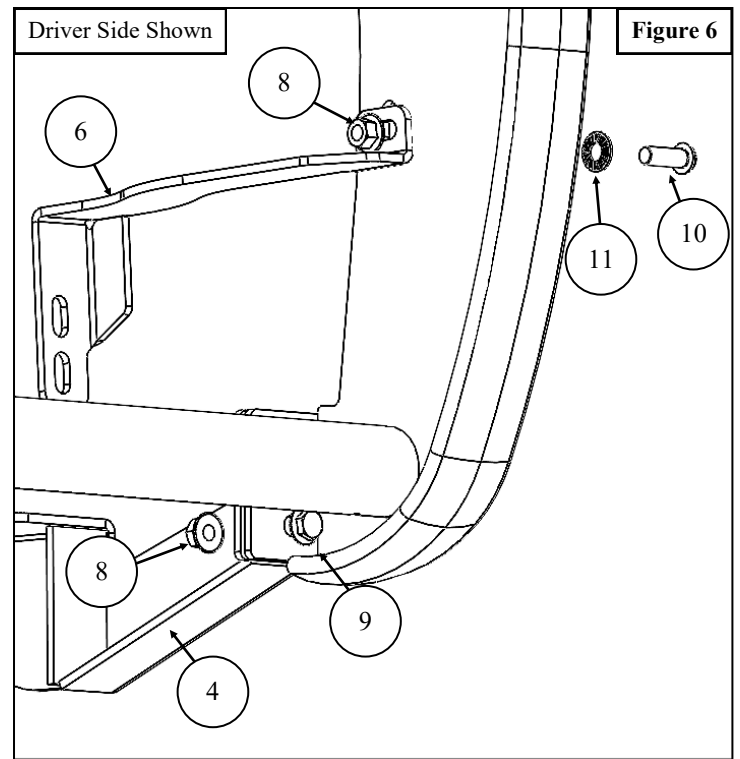
4. Remove the two upper factory M10 flange nuts from each side of the frame where the bumper brackets are mounted to the frame. **Note:** *Although a 14mm wrench can be used for this step, it is much easier with a 3/8" drive mid-length socket. See Figure 2 for reference.*
5. Slip each Upper Support Bracket (Items 6 & 7) through the bumper grille opening and loosely attach them to the frame studs using the factory M10 flange nuts. **Note:** *It is recommended to slip the brackets in from the backside opening of the bumper as this makes it less likely to scratch the plastic bumper. See Figure 3 for reference.*



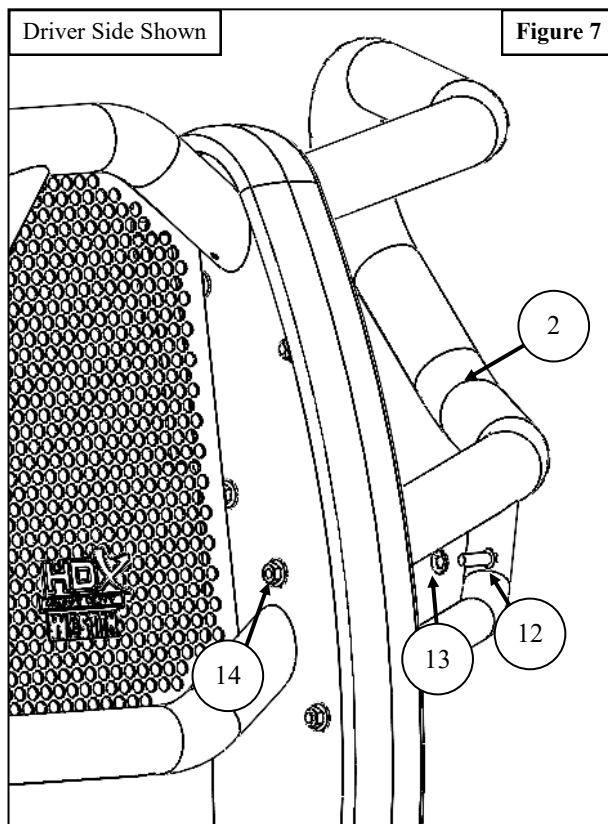
6. Trim the bumper grille insert as necessary then re-install it into the bumper opening.
7. Loosely install the Lower Mounting Brackets (Items 4 & 5) to the bottom of the frame at the tow hook locations using the factory hardware. **Note:** The factory tow hooks/loops cannot be re-used. See **Figure 4** for reference.



8. With assistance, loosely attach the HDX Grille Guard Base (Item 1) to the Upper and Lower Mounting Brackets using the supplied M12 hardware (Items 8-11). See **Figure 5 & 6** for reference.



9. Locate and install the HDX Driver and Passenger Wings (Items 2 & 3) using the supplied M8 hardware (Items 12-14). See **Figure 7** for reference. *Note: Install the serrated side of the bellville washer against the HDX wing.*
10. Align and adjust the Modular Grille Guard assembly as necessary. Tighten and torque all hardware as specified: M8 to 15-18 ft-lbs., M12 to 45-50 ft-lbs.



INSTALLATION COMPLETE



**WESTIN**

2018 WESTIN AUTOMOTIVE PRODUCTS, INC. ALL RIGHTS RESERVED.

#### CARE INSTRUCTIONS

- REGULAR WAXING IS RECOMMENDED. DO NOT USE ANY TYPE OF POLISH OR WAX THAT MAY CONTAIN ABRASIVES.
- STAINLESS STEEL PRODUCTS CAN BE CLEANED WITH MILD SOAP AND WATER. STAINLESS STEEL POLISH SHOULD BE USED TO POLISH SMALL SCRATCHES.
- GLOSS BLACK FINISHES SHOULD BE CLEANED WITH MILD SOAP AND WATER.

**WESTIN**

Westin Automotive Products, Inc.  
320 W. Covina Blvd  
San Dimas, Ca. 91773

Thank you for choosing Westin products  
for additional installation assistance please call  
Customer Service (800) 793-7846

[www.westinautomotive.com](http://www.westinautomotive.com)

DATE: 11/22/21



## WARNING



Failure to follow these instructions could lead to death, personal injury, and / or property damage.

Failure to follow these instructions could lead to death, personal injury, and / or property damage.

### FASTENERS:

All Westin supplied fasteners must be utilized and installed in accordance with the installation instructions and apply torque to the specifications as defined. **DOUBLE CHECK ALL FASTENERS BEFORE INITIAL USE, AND PERIODICALLY IN THE FUTURE TO ENSURE PROPER FUNCTION AND SAFETY.**

### DRILLING:

Most Westin products do not require drilling for installation. If drilling is defined as required, use caution when drilling a vehicle. **FAILURE TO REVIEW AN AREA TO BE DRILLED MAY RESULT IN PERSONAL INJURY AND/OR INJURY TO OTHERS AS WELL AS VEHICLE DAMAGE.**

### EYE PROTECTION:

**ALWAYS WEAR SAFETY GLASSES OR GOGGLES DURING THE INSTALLATION PROCESS TO AVOID PERSONAL INJURY.**

### MAXIMUM TOWING/CARRYING CAPACITY: (if applicable)

The Westin Receiver Hitches will have a visible tow rating label affixed directly on the product. User should never exceed the vehicle manufacturers maximum tow and weight rating regardless of the capacity of the hitch. **FAILURE TO FOLLOW THESE GUIDELINES WILL VOID THE WESTIN WARRANTY AND MAY RESULT IN PERSONAL INJURY AND/OR INJURY TO OTHERS AS WELL AS VEHICLE DAMAGE.**

### FOR CALIFORNIA RESIDENTS ONLY-PROP 65 WARNING:

Some products may contain chemicals such as DEHP, which can cause cancer, birth defects or other reproductive harm. For more info go to [www.p65warnings.ca.gov](http://www.p65warnings.ca.gov)



Westin Automotive Products, Inc.  
320 W. Covina Blvd  
San Dimas, Ca. 91773