



INSTALLATION INSTRUCTIONS

HDX MODULAR GRILLE GUARD

APPLICATION:

2016-2021 Toyota Tacoma (Excl. w/Sensors)

PART NUMBER:

57-23885

CONTENT			
ITEM	QUANTITY	DESCRIPTION	TOOLS NEEDED
1	1	HDX GRILLE GUARD BASE	14MM SOCKET
2	1	HDX DRIVER WING	16MM SOCKET
3	1	HDX PASSENGER WING	18MM SOCKET
4	1	DRIVER MOUNTING BRACKET	5MM ALLEN KEY
5	1	PASSENGER MOUNTING BRACKET	TORQUE WRENCH
6	1	DRIVER SUPPORT STRAP	RATCHET
7	1	PASSENGER SUPPORT STRAP	
8	1	DRIVER FRAME SUPPORT BRACKET	
9	1	PASSENGER FRAME SUPPORT BRACKET	
10	8	M10 HEX SOCKET BUTTON HEAD BOLT	
11	8	M10 FLAT WASHER	
12	8	M10 SERRATED FLANGE NUT	
13	10	M8 HEX SOCKET BUTTON HEAD BOLT	
14	10	M8 BELLVILLE WASHER	
15	10	M8 SERRATED FLANGE NUT	
16	2	M10 HEX HEAD BOLT	
17	2	M10 HEX NUT	
18	4	M10 FLAT WASHER	
19	2	M10 SPLIT LOCK WASHER	
20	2	M12 SERRATED FLANGE NUT	
21	6	M12 HEX HEAD BOLT	
22	4	M12 HEX NUT	
23	12	SMALL M12 FLAT WASHER	
24	6	M12 SPLIT LOCK WASHER	
25	2	LARGE M12 FLAT WASHER	

ANTI-SEIZE LUBRICANT MUST BE USED ON ALL STAINLESS STEEL FASTENERS TO PREVENT THREAD DAMAGE AND GALLING

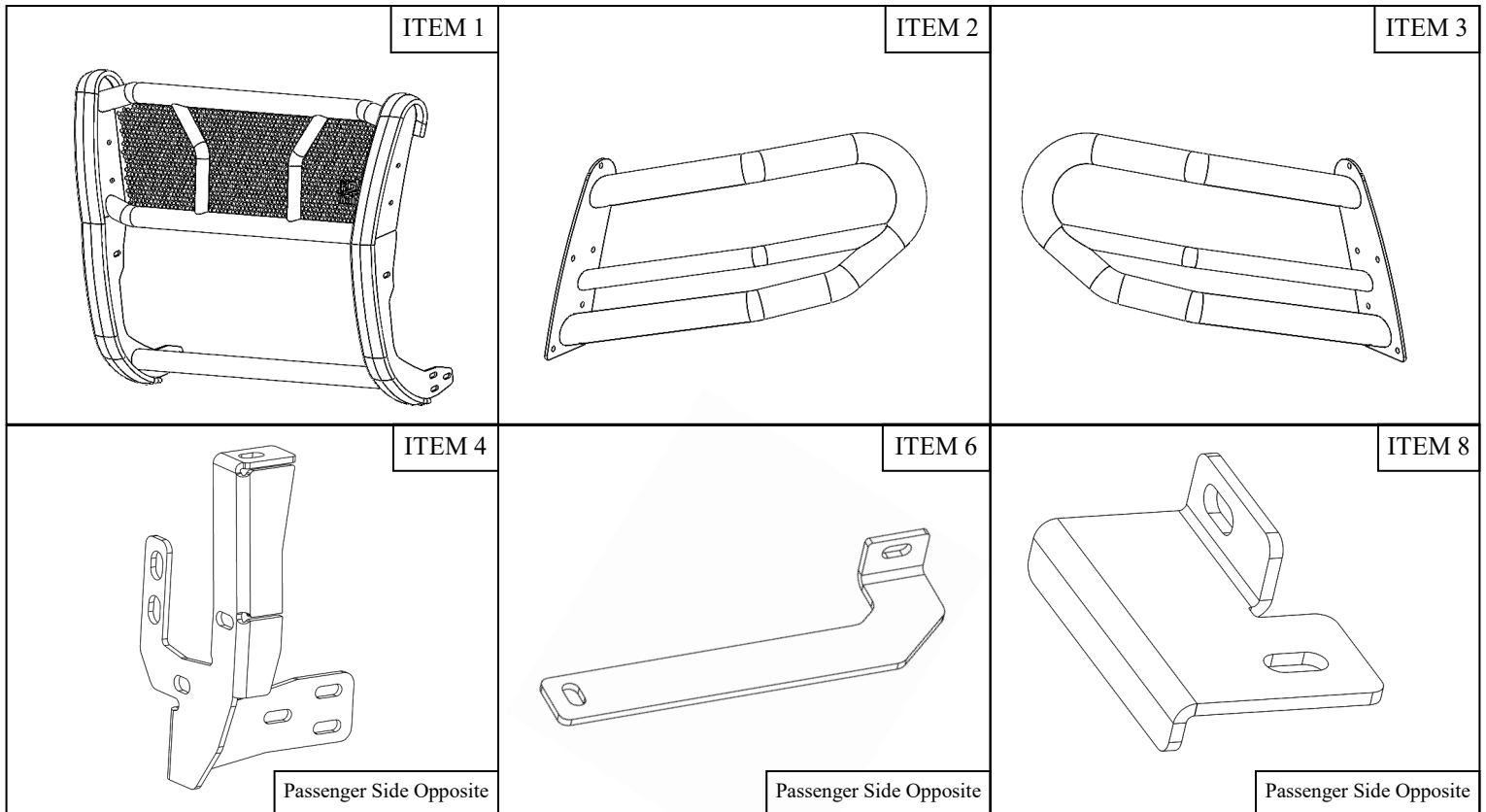


Westin Automotive Products, Inc.
320 W. Covina Blvd
San Dimas, Ca. 91773

Thank you for choosing Westin products
for additional installation assistance please call
Customer Service (800) 793-7846

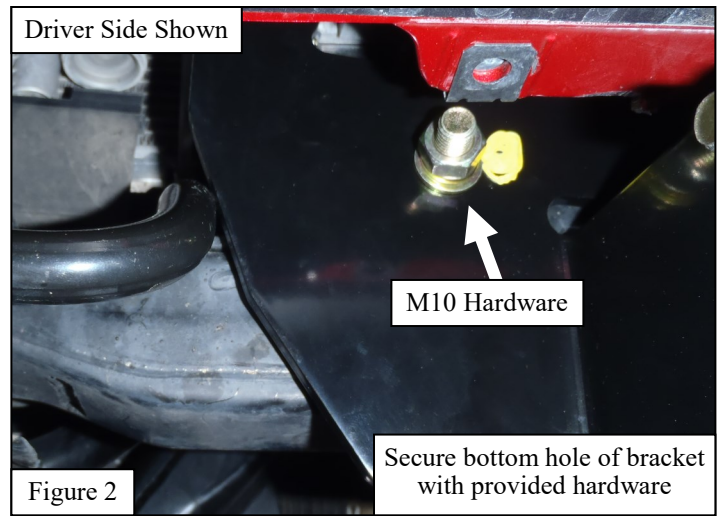
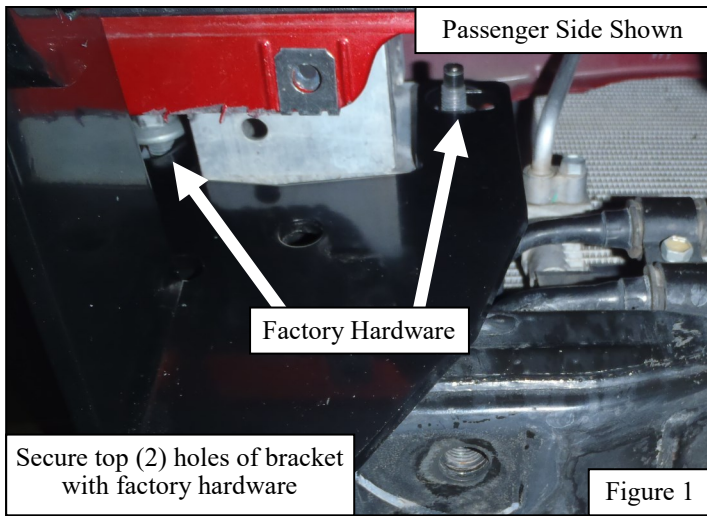
www.westinautomotive.com

DATE: 11/22/21

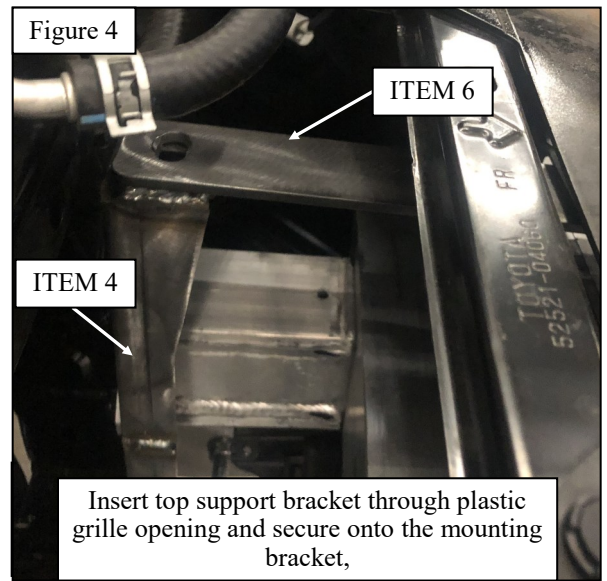


PROCEDURE

1. Remove contents from box, verify if all parts listed are present and free from damage. Carefully read and understand all instructions before attempting installation.
Failure to identify damage before installation could lead to a rejection of any claim.
2. Starting underneath the front side of the vehicle, remove the three factory nuts that hold the bumper support frame to the vehicle frame. See **Figure 1** for reference. **Note:** *Lower valance trimming is required.*
3. Attach the upper holes on the driver side mounting bracket with existing factory nuts. To attach the lower hole on the mounting bracket use the provided M10 hardware. Insert the hex head bolt with the large M10 flat washer through the frame and use the large M12 washer (Item 25) as a spacer between the frame and mounting bracket. See **Figure 2** for reference,
4. Repeat for the passenger side.



5. Slide the Driver Side Support Strap (Item 4) through the plastic grille opening. Attach the inner mounting location of the support strap to the main mounting bracket. See **Figures 3 & 4** for reference. Assemble loosely.



6. Loosely assemble the Frame Support Bracket (Items 8 & 9) on the side of each main mounting bracket using the supplied M10 and M12 hardware. See **Figures 5 & 6** for reference. Refer to **Figure 9** for hardware locations.

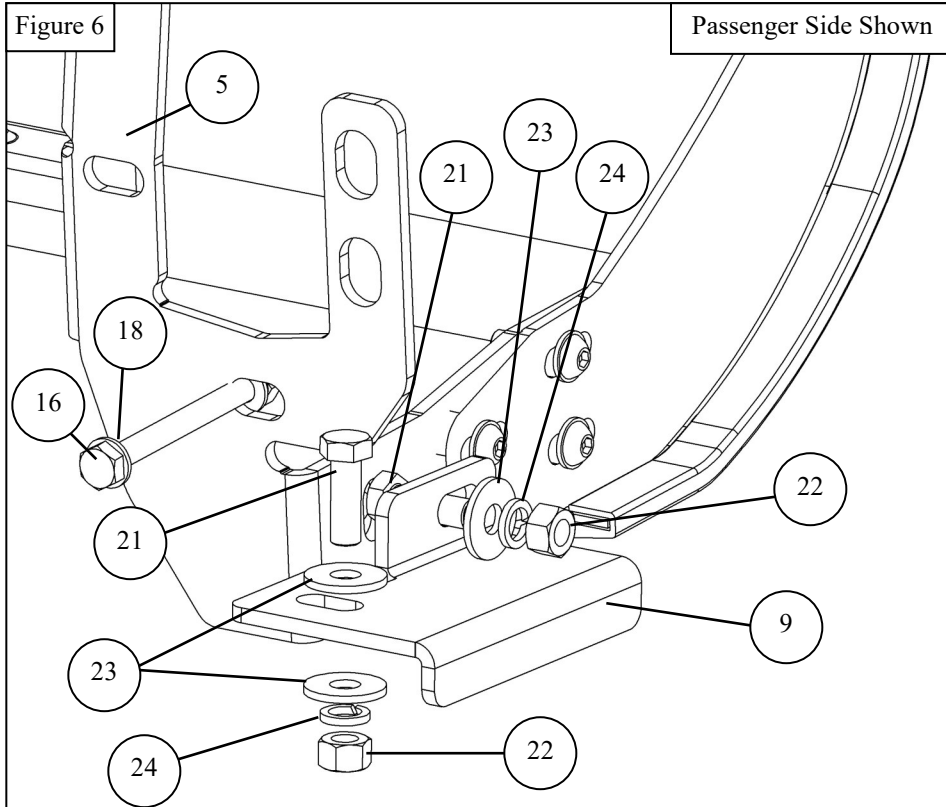
Figure 5

Passenger Side Shown



Figure 6

Passenger Side Shown



7. With assistance, position the Grille Guard Base (Item 1) on the inside of the Mounting Brackets and the Support Straps. Use the included (8) M10 head socket button bolts, (8) M10 flat washers and (8) M10 serrated flange nuts (Items 10-12) Assemble loosely. See **Figures 7 through 9** for reference.

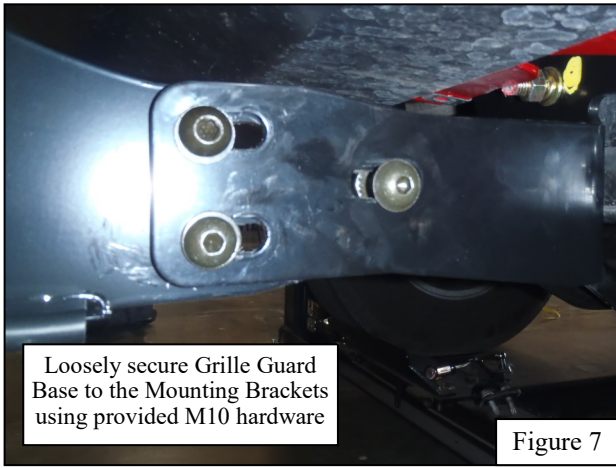


Westin Automotive Products, Inc.
 320 W. Covina Blvd
 San Dimas, Ca. 91773

Thank you for choosing Westin products
 for additional installation assistance please call
 Customer Service (800) 793-7846

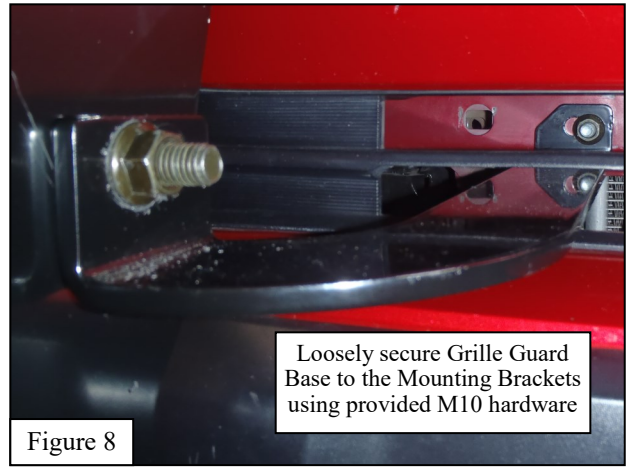
www.westinautomotive.com

DATE: 11/22/21



Loosely secure Grille Guard Base to the Mounting Brackets using provided M10 hardware

Figure 7



Loosely secure Grille Guard Base to the Mounting Brackets using provided M10 hardware

Figure 8

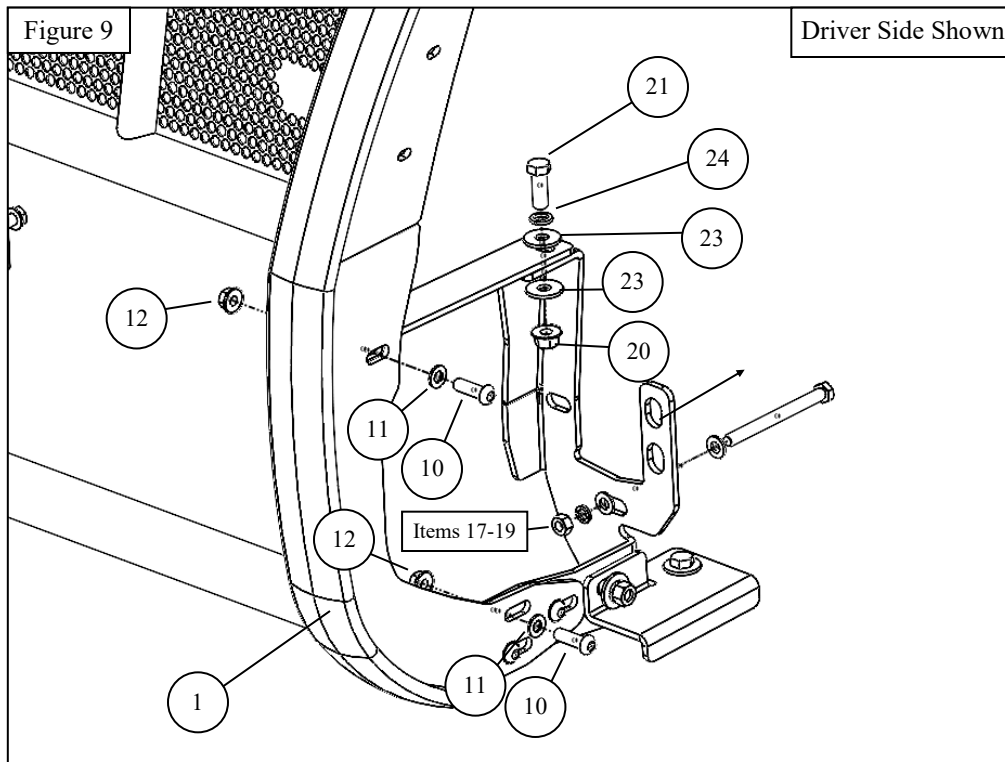


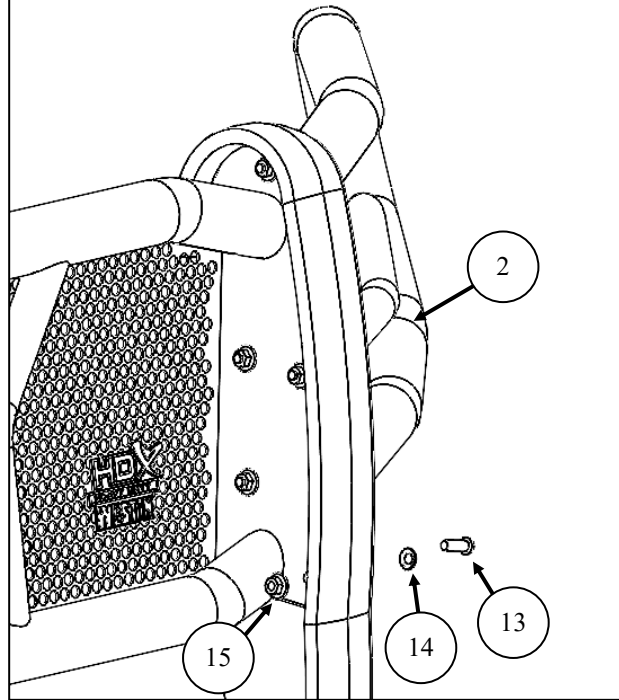
Figure 9

Driver Side Shown

8. Install the HDX Driver and Passenger Wings (Items 2 & 3) using the supplied M8 hardware (Items 13-15). See **Figure 10** for reference. **Note:** Install the Belville washers so that the serrated side of the washer is against the HDX wing.
9. Align and adjust the Modular Grille Guard assembly as necessary. Tighten and torque all fasteners as follows: M8 to 15-18 ft-lbs., M10 to 25-30 ft-lbs., M12 to 45-50 ft-lbs.

Driver Side Shown

Figure 10



CARE INSTRUCTIONS

- REGULAR WAXING IS RECOMMENDED. DO NOT USE ANY TYPE OF POLISH OR WAX THAT MAY CONTAIN ABRASIVES.
- STAINLESS STEEL PRODUCTS CAN BE CLEANED WITH MILD SOAP AND WATER. STAINLESS STEEL POLISH SHOULD BE USED TO POLISH SMALL SCRATCHES.
- GLOSS BLACK FINISHES SHOULD BE CLEANED WITH MILD SOAP AND WATER.

WESTIN

Westin Automotive Products, Inc.
320 W. Covina Blvd
San Dimas, Ca. 91773

Thank you for choosing Westin products
for additional installation assistance please call
Customer Service (800) 793-7846

www.westinautomotive.com

DATE: 11/22/21



WARNING



Failure to follow these instructions could lead to death, personal injury, and / or property damage.

Failure to follow these instructions could lead to death, personal injury, and / or property damage.

FASTENERS:

All Westin supplied fasteners must be utilized and installed in accordance with the installation instructions and apply torque to the specifications as defined. **DOUBLE CHECK ALL FASTENERS BEFORE INITIAL USE, AND PERIODICALLY IN THE FUTURE TO ENSURE PROPER FUNCTION AND SAFETY.**

DRILLING:

Most Westin products do not require drilling for installation. If drilling is defined as required, use caution when drilling a vehicle. **FAILURE TO REVIEW AN AREA TO BE DRILLED MAY RESULT IN PERSONAL INJURY AND/OR INJURY TO OTHERS AS WELL AS VEHICLE DAMAGE.**

EYE PROTECTION:

ALWAYS WEAR SAFETY GLASSES OR GOGGLES DURING THE INSTALLATION PROCESS TO AVOID PERSONAL INJURY.

MAXIMUM TOWING/CARRYING CAPACITY: (if applicable)

The Westin Receiver Hitches will have a visible tow rating label affixed directly on the product. User should never exceed the vehicle manufacturers maximum tow and weight rating regardless of the capacity of the hitch. **FAILURE TO FOLLOW THESE GUIDELINES WILL VOID THE WESTIN WARRANTY AND MAY RESULT IN PERSONAL INJURY AND/OR INJURY TO OTHERS AS WELL AS VEHICLE DAMAGE.**

FOR CALIFORNIA RESIDENTS ONLY-PROP 65 WARNING:

Some products may contain chemicals such as DEHP, which can cause cancer, birth defects or other reproductive harm. For more info go to www.p65warnings.ca.gov



Westin Automotive Products, Inc.
320 W. Covina Blvd
San Dimas, Ca. 91773