

# INSTALLATION INSTRUCTIONS

## HDX MODULAR GRILLE GUARD



### APPLICATION:

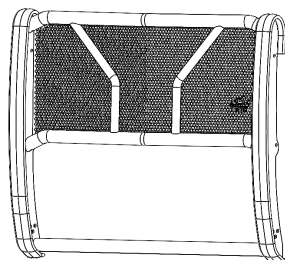
2020-2022 Chevrolet Silverado 2500/3500 (Excl. w/Sensors)

### PART NUMBER:

57-23995

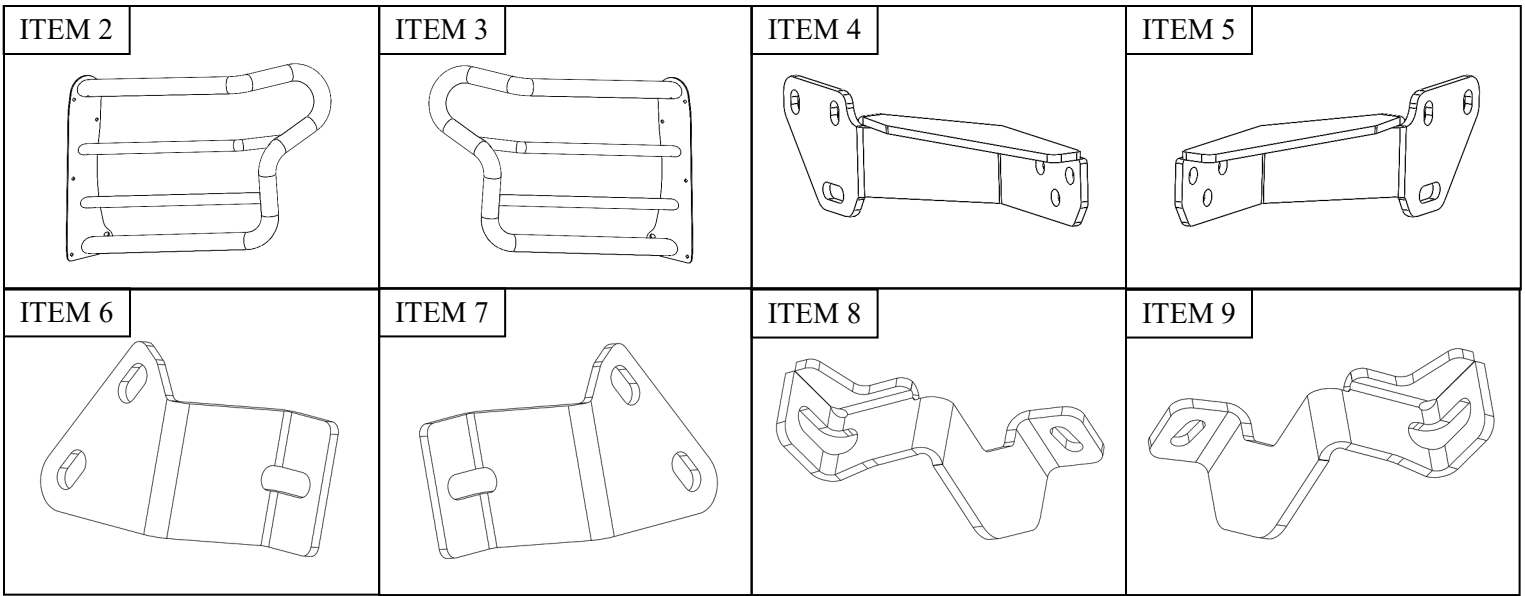
ITEM	QUANTITY	DESCRIPTION	TOOLS NEEDED
1	1	HDX GRILLE GUARD BASE	RATCHET
2	1	HDX DRIVER WING	16MM SOCKET
3	1	HDX PASSENGER WING	17MM SOCKET
4	1	LOWER DRIVER MOUNTING BRACKET	18MM SOCKET
5	1	LOWER PASSENGER MOUNTING BRACKET	16MM WRENCH
6	1	DRIVER INSIDE SUPPORT BRACKET	17MM WRENCH
7	1	PASSENGER INSIDE SUPPORT BRACKET	18MM WRENCH
8	1	DRIVER UPPER SUPPORT STRAP	TORQUE WRENCH
9	1	PASSENGER UPPER SUPPORT STRAP	CUTTING TOOL
10	2	SHORT M12 HEX HEAD BOLT	
11	4	LONG M12 HEX HAD BOLT	
12	6	M12 SPLIT LOCK WASHER	
13	12	M12 FLAT WASHER	
14	6	M12 HEX NUT	
15	2	M10 HEX SOCKET BUTTON HEAD BOLT	
16	2	M10 BELLVILLE WASHER	
17	2	M10 SERRATED FLANGE NUT	
18	6	M12 HEX SOCKET BUTTON HEAD BOLT	
19	6	M12 SERRATED FLANGE NUT	
20	6	M12 BELLVILLE WASHER	
21	8	M8 HEX SOCKET BUTTON HEAD BOLT	
22	8	M8 BELLVILLE WASHER	
23	8	M8 SERRATED FLANGE NUT	

**ANTI-SEIZE LUBRICANT MUST BE USED ON ALL STAINLESS STEEL FASTENERS TO PREVENT THREAD DAMAGE AND GALLING.**



ITEM 1

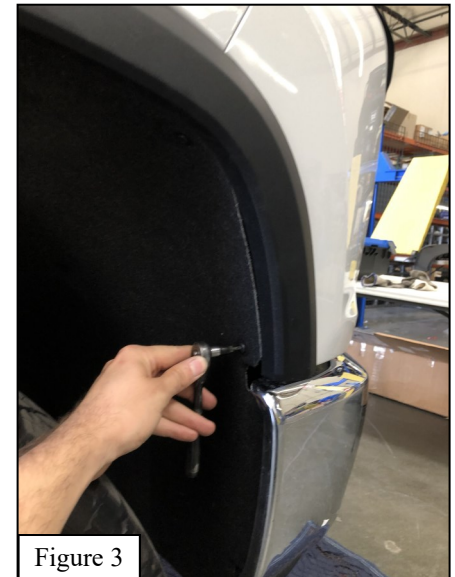
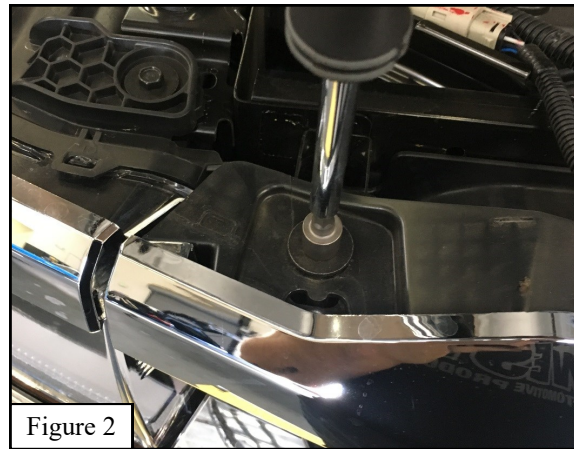
**CUTTING  
TEMPLTE  
INCLUDED  
SEE PAGE 4  
(ITEMS 24-25)**



### PROCEDURE

1. Remove contents from box, verify if all parts listed are present and free from damage. Carefully read and understand all instructions before attempting installation.  
**Failure to identify damage before installation could lead to a rejection of any claim.**

2. Open the hood of the vehicle and remove the plastic cover at the front using a pry tool. See **Figure 1** for reference.
3. Remove the four bolts holding the grille in place. See **Figure 2** for reference.
4. Remove 2 bolts attaching wheel well cover to filler panel. See **Figure 3** for reference.



5. Pry off fenders to access the filler panel clips. See **Figure 4** for reference.
6. Pry filler panel off removing any necessary bolts. See **Figure 5** for reference.
7. Disconnect any electrical plugs and any bolts still attaching the grill to the vehicle. See **Figure 6** for reference.
8. Pry remaining clips attaching the grill to the vehicle to remove the grille.

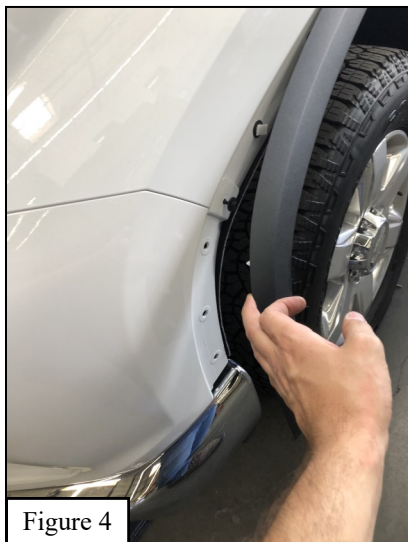


Figure 4

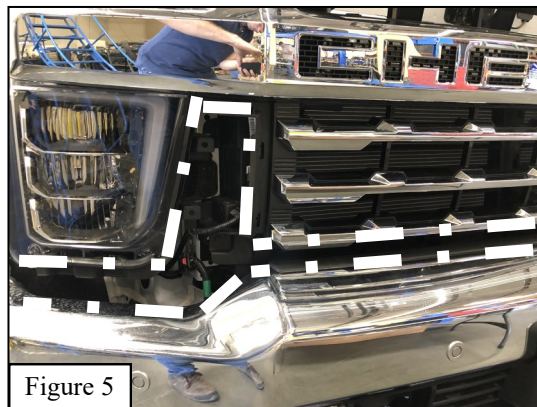


Figure 5



Figure 6

9. Remove 4 upper bumper bolts attaching the bumper to the frame and remove 2 bottom bolts attaching bumper arm to the frame. See **Figure 7 & 8** for reference.
10. Remove Bumper. **Note:** Assistance may be needed to remove the bumper.

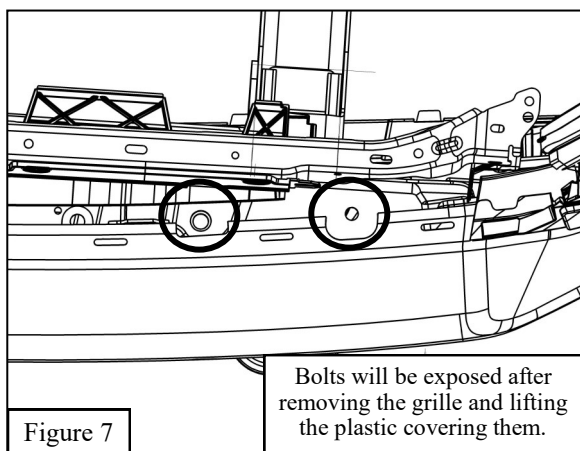


Figure 7

Bolts will be exposed after removing the grille and lifting the plastic covering them.

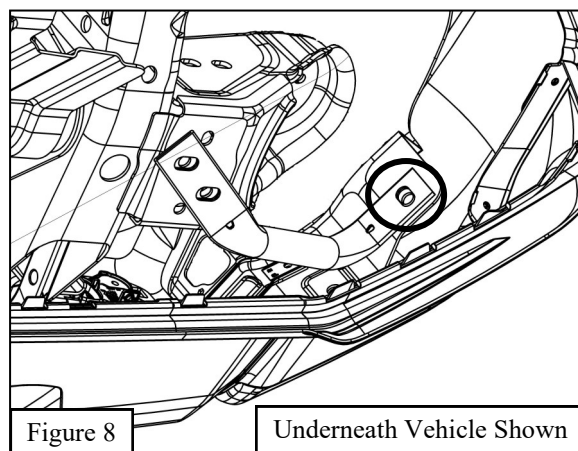
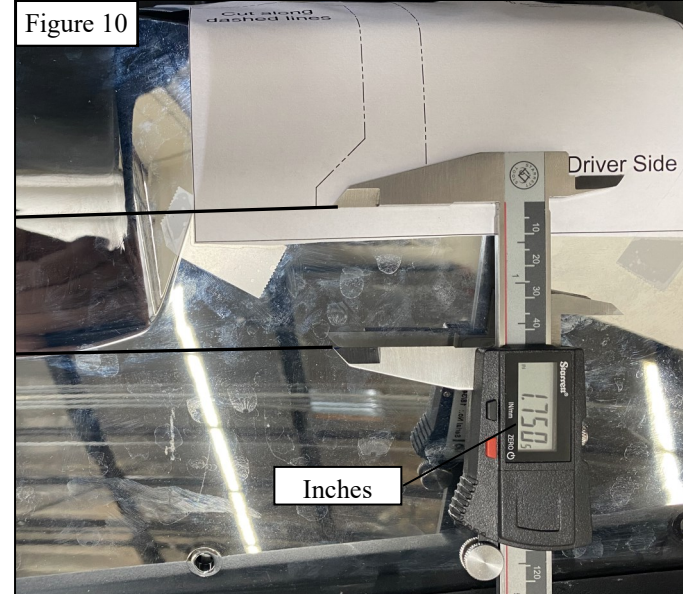
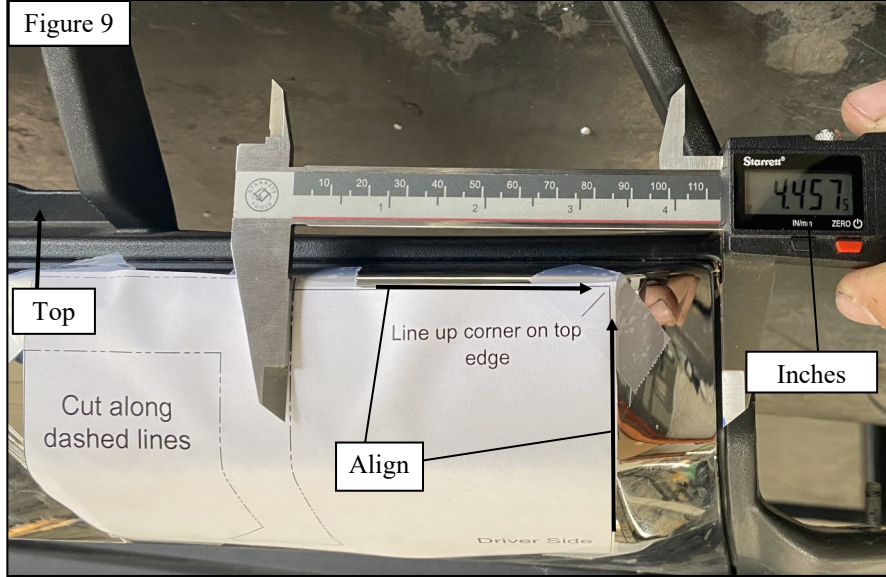


Figure 8

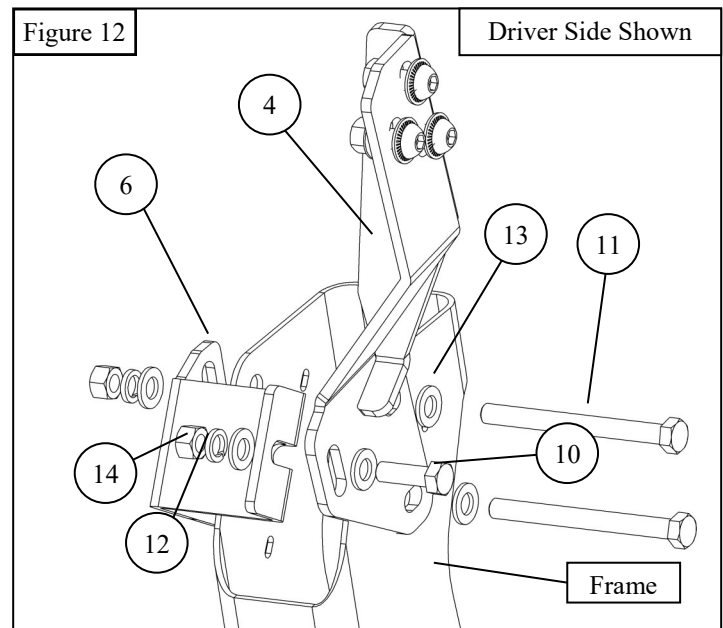
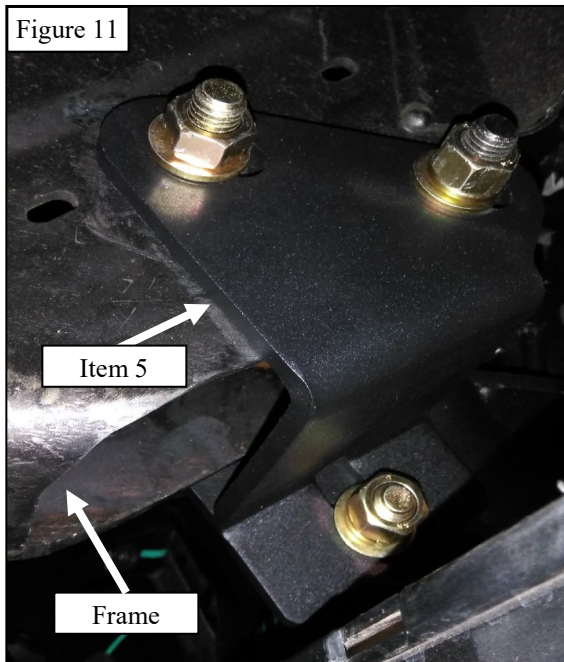
Underneath Vehicle Shown



11. Locate the Driver and Passenger Cutting Templates (Items 24-25). Starting on either side, reference the template to the top corner of the vehicle valence. **See Figure 9** for reference. Tape the template to the valence.
12. Using **Figures 9 & 10** for reference, ensure that the measurements match your template. Follow the template instructions and cut accordingly. **Note: After cutting, you will still need to adjust your brackets and more cutting may be required!**



13. Locate the Lower Driver and Passenger Mounting and Support Brackets (Items 4-7) for the HDX Grille Guard Base. Using the supplied M12 hardware, loosely install the mounting brackets on to the frame. The Mounting Bracket and Support Bracket “sandwich” the frame. **See Figure 11 & 12** for reference.
14. Repeat on the passenger side.



15. Locate the Upper Support Straps (Items 8-9) for the HDX Grille Guard Base. Loosely re-install the front bumper with the Upper Support Straps. Reconnect all electrical connections. The upper factory bumper bolts will be used to mount the Upper Support Straps.
16. Measure the distance between the mounting surfaces of the upper straps and ensure it is about 42.25". See **Figure 13 & 14** for reference.

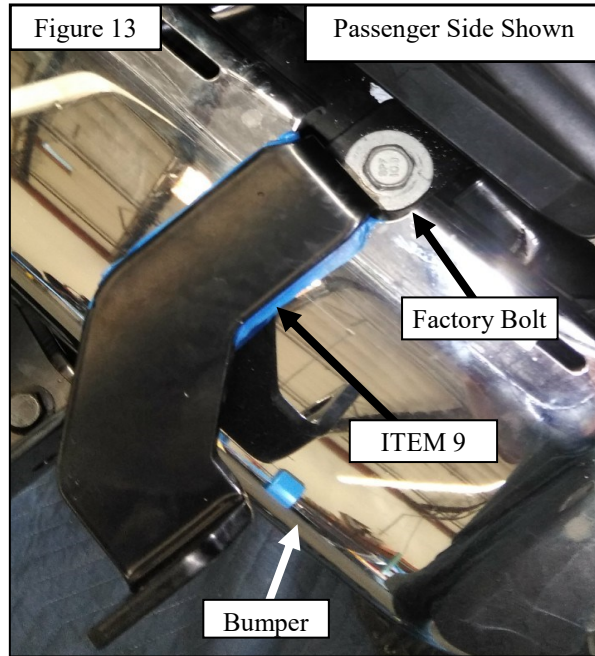
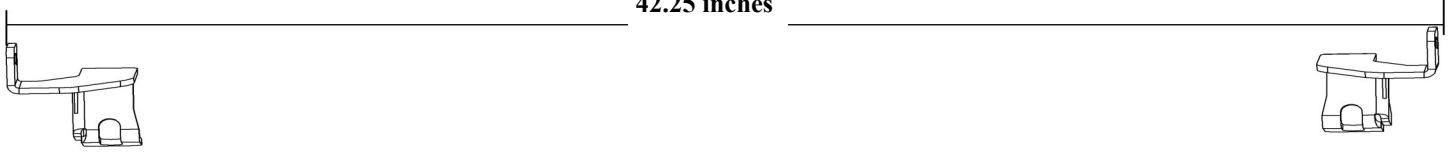
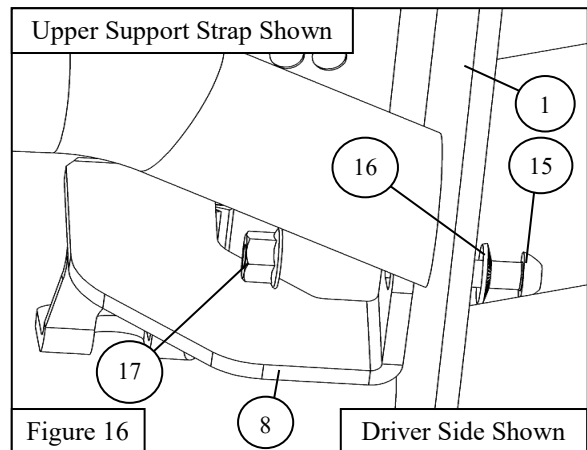
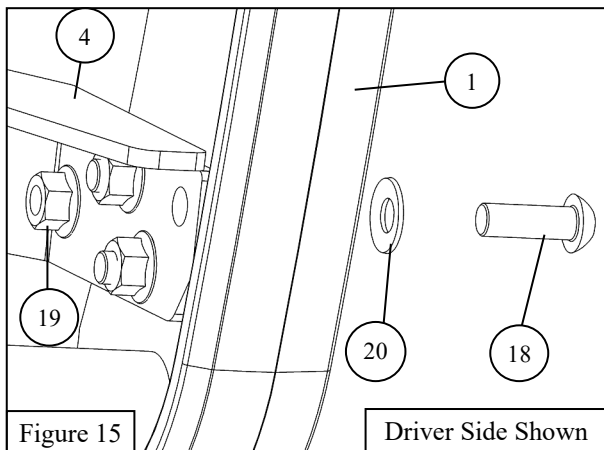


Figure 14

42.25 inches



17. Reinstall the filler panel and the grille in the reverse order as instructed previously.
18. With assistance, install the HDX Grille Guard Base onto the Lower Mounting Brackets and previously installed Upper Support Straps using the supplied M10 and M12 hardware. See **Figures 15 & 16** for reference. **Note:** *The Upper Support Strap mounting location will be shared with the HDX Driver and Passenger Wings installed in Step 19.*



19. Locate and install the HDX Driver and Passenger Wings (Items 2 & 3) using the supplied M8 hardware (Items 20-22). See **Figure 17 & 18** for reference. **Note:** The shared Upper Support Strap mounting location will use the M10 Hardware as mentioned before. Install the Bellville washers so that the serrated side contacts the HDX wing.
20. Align and adjust the Modular Grille Guard assembly as necessary and torque all hardware as specified: M8 to 15-18 ft-lbs., M10 to 25-30 ft-lbs., M12 to 45-50 ft-lbs.

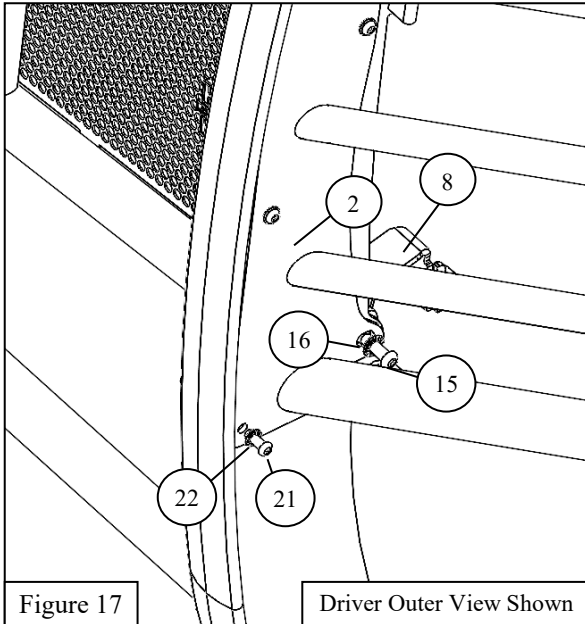


Figure 17

Driver Outer View Shown

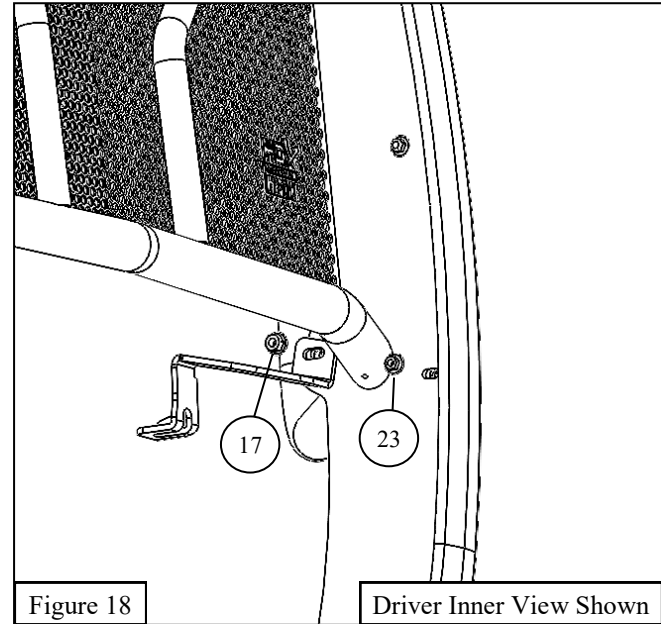


Figure 18

Driver Inner View Shown



INSTALLATION COMPLETE



©2015 WESTIN AUTOMOTIVE PRODUCTS, INC. ALL RIGHTS RESERVED

#### CARE INSTRUCTIONS

- REGULAR WAXING IS RECOMMENDED. DO NOT USE ANY TYPE OF POLISH OR WAX THAT MAY CONTAIN ABRASIVES.
- STAINLESS STEEL PRODUCTS CAN BE CLEANED WITH MILD SOAP AND WATER. STAINLESS STEEL POLISH SHOULD BE USED TO POLISH SMALL SCRATCHES.
- GLOSS BLACK FINISHES SHOULD BE CLEANED WITH MILD SOAP AND WATER.

**WESTIN** Westin Automotive Products, Inc.  
320 W. Covina Blvd  
San Dimas, Ca. 91773

Thank You for choosing Westin products  
For Additional installation assistance please call  
Customer service (800) 793-7846  
[www.westinautomotive.com](http://www.westinautomotive.com)



## WARNING



Failure to follow these instructions could lead to death, personal injury, and / or property damage.

Failure to follow these instructions could lead to death, personal injury, and / or property damage.

### FASTENERS:

All Westin supplied fasteners must be utilized and installed in accordance with the installation instructions and apply torque to the specifications as defined. **DOUBLE CHECK ALL FASTENERS BEFORE INITIAL USE, AND PERIODICALLY IN THE FUTURE TO ENSURE PROPER FUNCTION AND SAFETY.**

### DRILLING:

Most Westin products do not require drilling for installation. If drilling is defined as required, use caution when drilling a vehicle. **FAILURE TO REVIEW AN AREA TO BE DRILLED MAY RESULT IN PERSONAL INJURY AND/OR INJURY TO OTHERS AS WELL AS VEHICLE DAMAGE.**

### EYE PROTECTION:

**ALWAYS WEAR SAFETY GLASSES OR GOGGLES DURING THE INSTALLATION PROCESS TO AVOID PERSONAL INJURY.**

### MAXIMUM TOWING/CARRYING CAPACITY: (if applicable)

The Westin Receiver Hitches will have a visible tow rating label affixed directly on the product. User should never exceed the vehicle manufacturers maximum tow and weight rating regardless of the capacity of the hitch. **FAILURE TO FOLLOW THESE GUIDELINES WILL VOID THE WESTIN WARRANTY AND MAY RESULT IN PERSONAL INJURY AND/OR INJURY TO OTHERS AS WELL AS VEHICLE DAMAGE.**

### FOR CALIFORNIA RESIDENTS ONLY-PROP 65 WARNING:

Some products may contain chemicals such as DEHP, which can cause cancer, birth defects or other reproductive harm. For more info go to [www.p65warnings.ca.gov](http://www.p65warnings.ca.gov)