

INSTALLATION INSTRUCTIONS



HDX Winch Mount Grille Guard

APPLICATION:
2007-2013 Chevy Silverado 1500 (Excl. Classic)
PART NUMBER:
Winch Tray Kit: 46-22275
Grille Guard Kit: 57-92275A

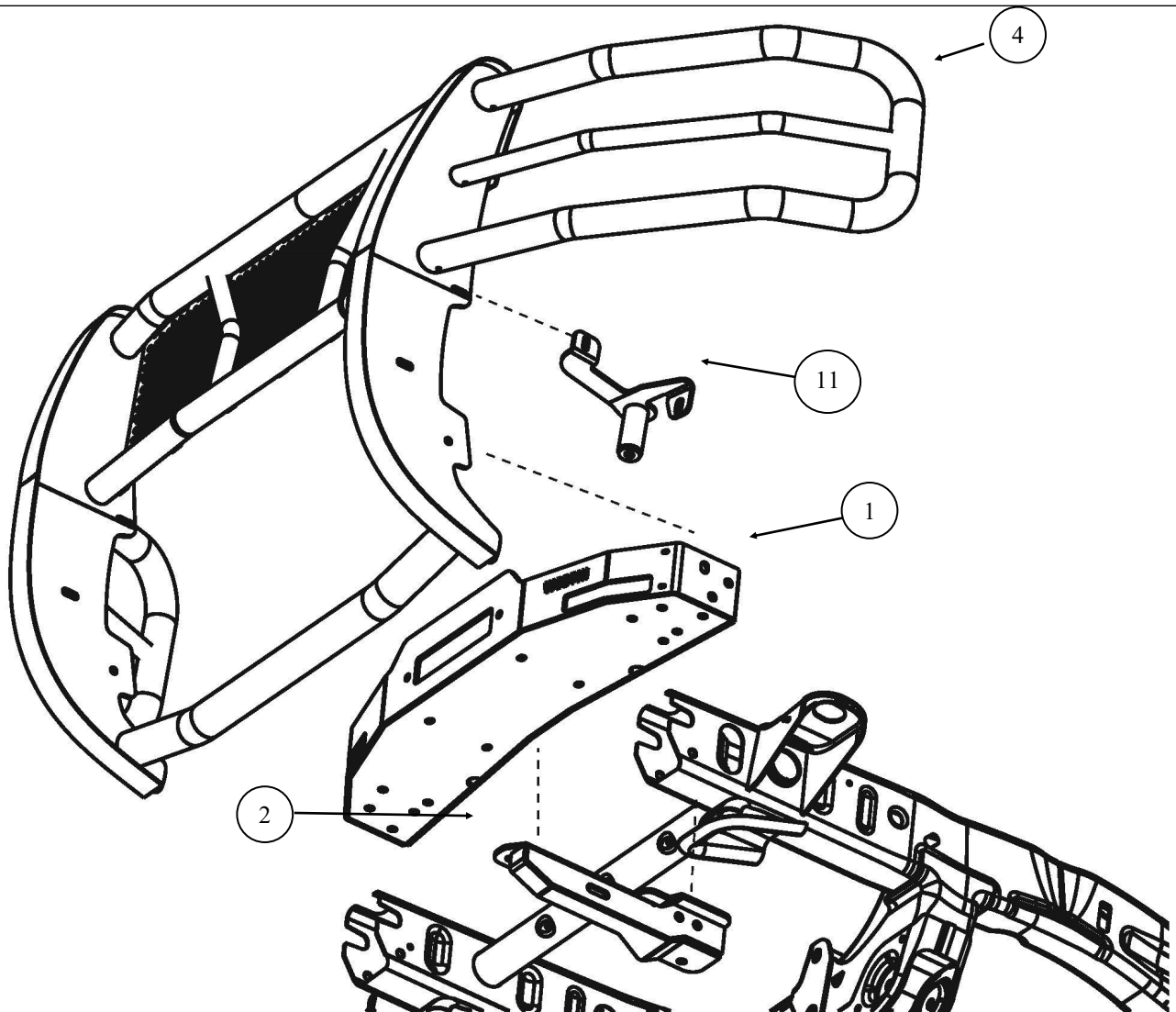
Kit Number: 57-92275

ITEM	QUANTITY	DESCRIPTION	TOOLS NEEDED
1	1	WINCH TRAY (46-22275)	21mm SOCKET
2	1	WINCH TRAY MOUNTING BRACKETS DRIVER (46-22275)	18mm SOCKET
3	1	WINCH TRAY MOUNTING BRACKET PASSENGER (46-22275)	18mm WRENCH
4	1	HDX GRILLE GUARD	17mm SOCKET
5	6	M12 HEX HEAD BOLT (46-22275*)	15mm SOCKET
6	18	SMALL M12 FLAT WASHER (46-22275*)	RACHET
7	10	M12 SPLIT LOCK WASHER (46-22275*)	TORQUE WRENCH
8	2	LARGE M12 FLAT WASHER (46-22275*)	1/2" DRILL BIT
9	10	M12 HEX NUT (46-22275*)	1/4" DRILL BIT
10	4	LONG M12 BUTTON HEAD BOLT (46-22275*)	ALLEN WRENCH
HARDWARE ITEMS BELOW ARE INCLUDED WITH THE GRILLE GUARD KIT			
11	1	UPPER SUPPORT BRACKET DRIVER	
12	1	UPPER SUPPORT BRACKET PASSENGER	
13	2	SPACER	
14	8	SMALL M12 FLAT WASHER (SS) (57-92275*, 57-92270)	
15	4	M12 LOCK WASHER (SS) (57-92275*, 57-92270)	
16	4	M12 HEX NUT (SS) (57-92275*, 57-92270)	
17	4	LONG M12 BUTTON HEAD BOLT (SS) (57-92275*, 57-92270)	
18	2	LONG M10 BUTTON HEAD BOLT (SS) (57-92275*, 57-92270)	
19	2	M10 BELLVILLE WASHER (SS) (57-92275*, 57-92270)	
20	2	M10 SERRATED FLANGE NUT (SS) (57-92275*, 57-92270)	
21	2	M10 HEX HEAD BOLT (57-92270**, 57-92275**)	
22	2	M10 FLAT WASHER (57-92270**, 57-92275**)	
23	2	M10 LOCK WASHER (57-92270**, 57-92275**)	

*NOTE: *(BLACK), **(YELLOW), SS (Stainless Steel)*

PROCEDURE

1. Remove contents from box, verify if all parts listed are present and free from damage. Carefully read and understand all instructions before attempting installation.
Failure to identify damage before installation could lead to a rejection of any claim.
2. Remove front bumper and valance assembly. If equipped, remove tow hooks from the front end of the vehicle. (Fig.1-3)
NOTE: tow hooks will not be re-used with this application.
3. Take the Winch Mounting brackets (item 2 & 3) (Fig.4), and install them to the front end of the frame. **NOTE: drilling required for proper installation. (Fig. 6-7)**
4. Once the mounting brackets have been installed (do not fully tighten), trim bumper (Fig. 11), then re-install bumper & valance assembly.
5. Take the Winch Tray (item 1) and place it on top of the previously mounted brackets. Align the holes on the winch tray to those of the brackets and proceed to install. (Fig. 12-13) **NOTE: Torque all M12 fasteners to 50-55 ft lbs.**
6. Install the Winch according to winch manufacture's instructions.
7. To install Winch Mounted Grille Guard proceed to (Fig.14-23).



CARE INSTRUCTIONS

- REGULAR WAXING IS RECOMMENDED. DO NOT USE ANY TYPE OF POLISH OR WAX THAT MAY CONTAIN ABRASIVES.
- STAINLESS STEEL PRODUCTS CAN BE CLEANED WITH MILD SOAP AND WATER. STAINLESS STEEL POLISH SHOULD BE USED TO POLISH SMALL SCRATCHES.

REMOVE FRONT BUMPER AND VALANCE BY REMOVING THE NUTS ON (Fig. 1) ALONG WITH TWO M10 BOLTS LOCATED AT EACH OF THE BUMPER (Fig.2). IT MAY BE NECESSARY TO WIGGLE VALANCE AND BUMPER TO REMOVE STUD PLATE.

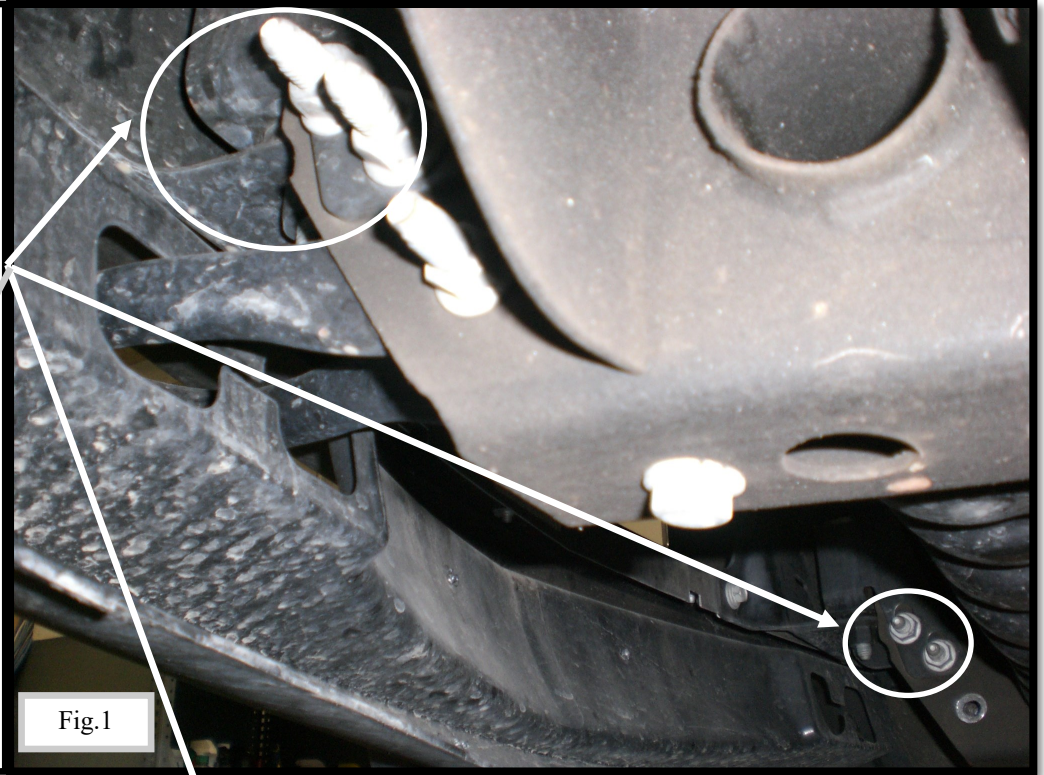


Fig.1

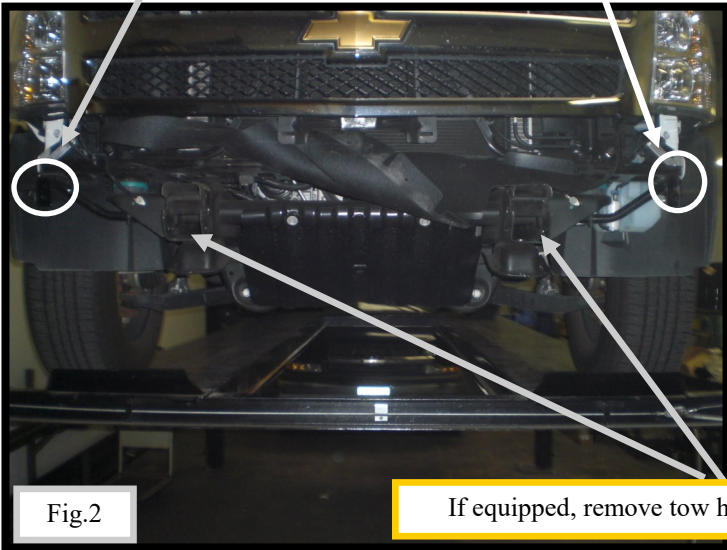


Fig.2

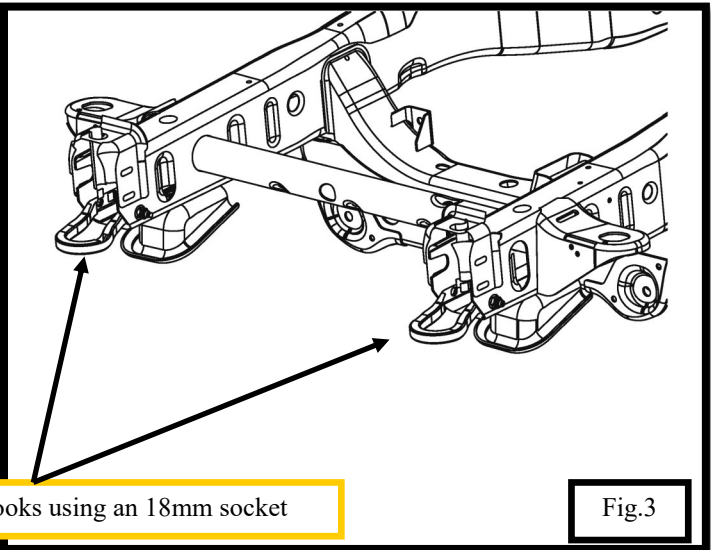
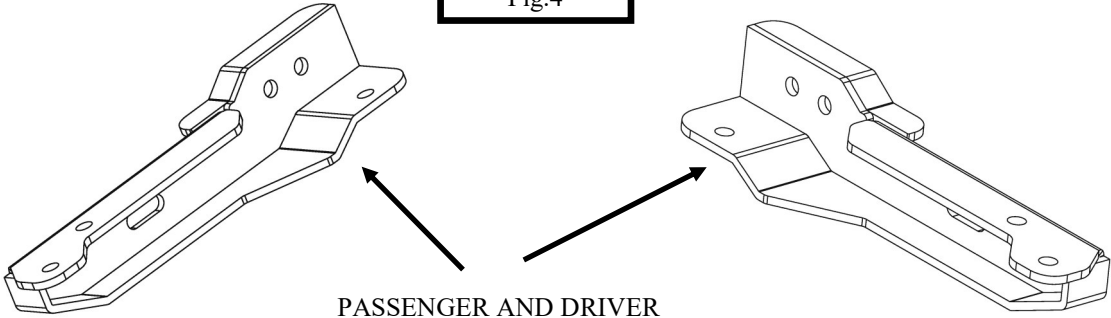


Fig.3

If equipped, remove tow hooks using an 18mm socket

Fig.4



PASSENGER AND DRIVER BRACKETS ITEMS 2 & 3

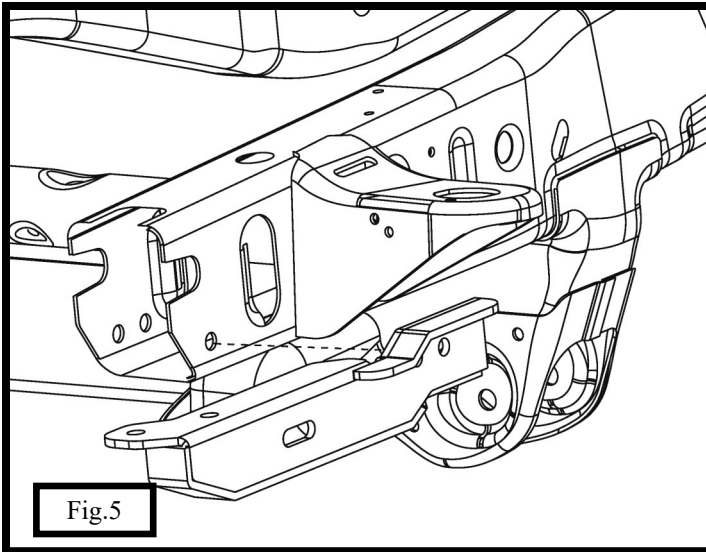


Fig.5

TO PROPERLY INSTALL BRACKETS YOU MUST DRILL HOLES TO THE FRAME. IN ORDER TO DO SO YOU MUST ALIGN THE BRACKETS TO THE FRAME USING THE EXISTING MOUNTING HOLES. AS SHOWN ON (FIG. 5)

ONCE YOU MOUNT THE BRACKETS TO THE EXISTING HOLES, MARK THE HOLES THAT REQUIRE DRILLING TO PROPERLY MOUNT EACH BRACKET. **NOTE: A TRANSFER PUNCH IS SUGGESTED.**



Fig.6



Fig.7

PLACE THE BRACKET ASIDE AND WITH A 1/4" DRILL BIT, DRILL A PILOT HOLE THROUGH THE FRAME. VERIFY THAT THE HOLE IS IN THE CORRECT LOCATION BY PLACING THE BRACKET BACK ON THE INSTALLED POSITION, THEN OPEN THE PILOT HOLE BY DRILLING THROUGH USING 1/2" DRILL BIT. **NOTE: PASSENGER SIDE ONLY REQUIRES ONE HOLE TO BE DRILLED INTO THE FRAME.**

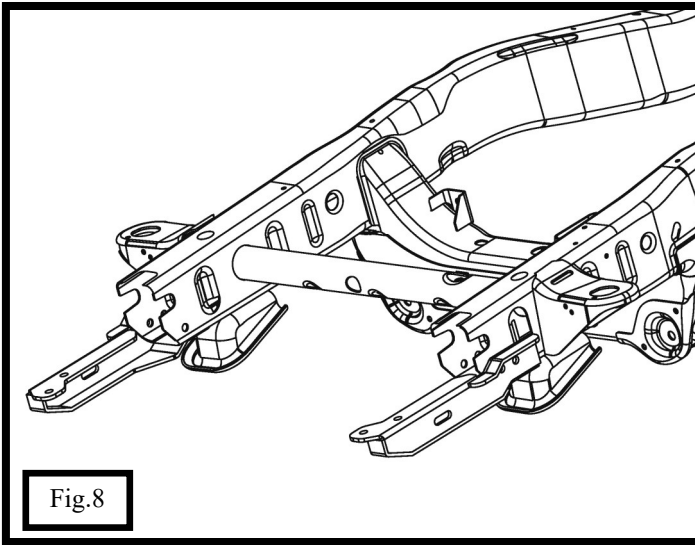


Fig.8

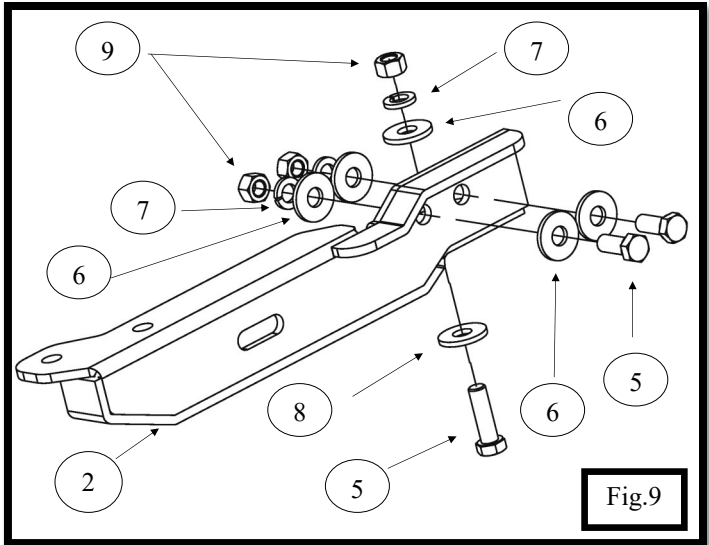


Fig.9

INSTALL THE DRIVER SIDE BRACKET TO THE FRAME USING (2) M12 HEX HEAD BOLTS, (4) M12 FLAT WASHERS, (2) M12 LOCK WASHERS, AND (2) M12 HEX NUTS. ON THE BOTTOM DRILLED HOLE, USE (1) M12 HEX HEAD BOLT, (1) M12 THICK FLAT WASHER, (1) M12 FLAT WASHER, (1) M12 LOCK WASHER, AND (1) M12 HEX NUT. (REPEAT FOR PASSENGER SIDE MOUNT BRACKET).
NOTE: DO NOT FULLY TIGHTEN AT THIS TIME.

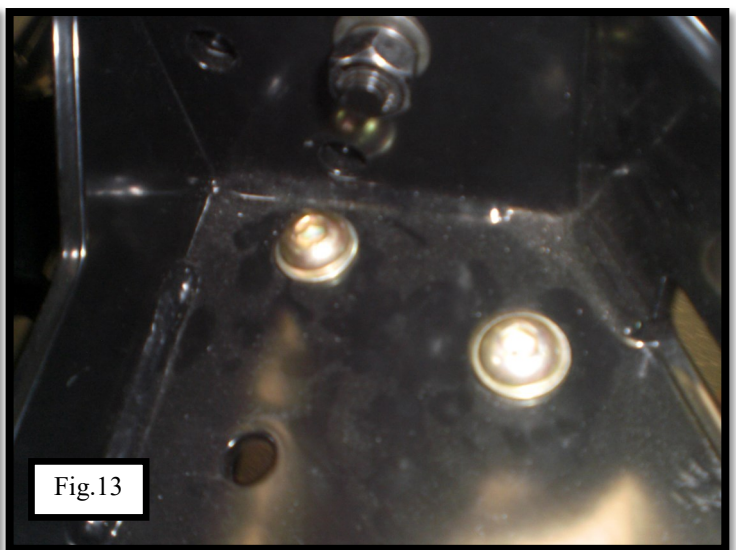
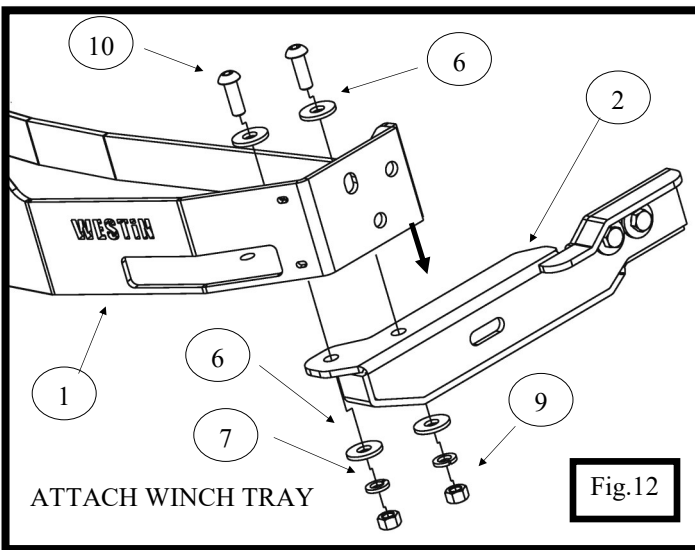


Fig.10

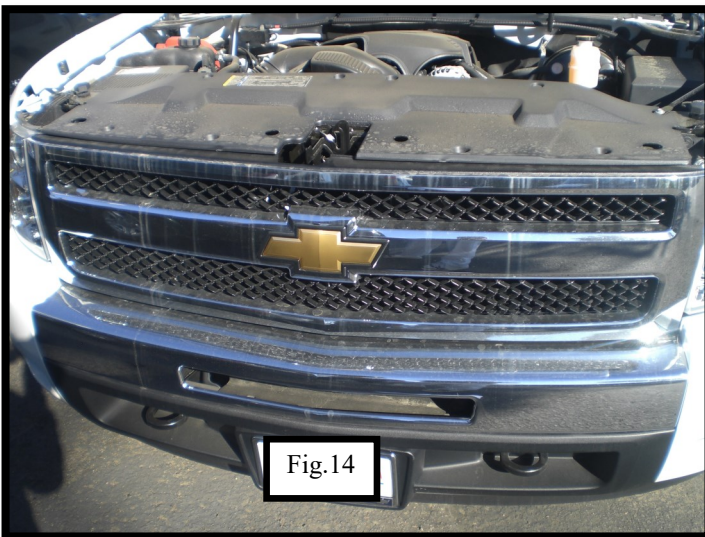


Fig.11

ONCE THE MOUNTING BRACKETS HAVE BEEN INSTALLED, TAKE THE FACTORY BUMPER AND VALANCE ASSEMBLY. HOLD IT UP TO THE VEHICLE, MARK WHERE MOUNTING BRACKETS COME IN CONTACT WITH THE LOWER VALANCE AND TRIM TO FIT. AFTER DOING SO, RE-INSTALL BUMPER AND VALANCE TO VEHICLE.



TO ATTACH WINCH TRAY USE (4) M12 BUTTON HEAD BOLTS, (8) M12 FLAT WASHERS, (4) M12 LOCK WASHERS, & (4) M12 HEX NUTS. YOU MAY NOW ALIGN AND ADJUST MOUNTING BRACKETS AND WINCH TRAY.
NOTE: DO NOT FULLY TIGHTEN IF INSTALLING A GRILLE GUARD KIT.
NOTE: TIGHTEN ALL FASTENERS IF NOT INSTALLING A GRILLE GUARD KIT INCLUDING MOUNTING BRACKETS. TORQUE ALL M12 FASTENERS TO 50-55 ft lbs.



OPEN THE HOOD AND REMOVE THE RADIATOR COVER TO ACCESS THE FACTORY GRILLE SHELL. USING A SMALL FLAT HEAD SCREWDRIVER, REMOVE THE RETAINER PLUGS. USE A 10mm SOCKET TO REMOVE THE TWO OUTER BOLTS FROM THE GRILLE SHELL.

USING A PAIR OF NEEDLE NOSE PLIERS, SQUEEZE THE SIX GRILLE MOUNTING CLIPS. BEGIN FROM ONE END OF THE GRILLE AND INSERT A SMALL SCREWDRIVER INTO THE CLIPS TO PREVENT THEM FROM POPPING BACK INTO PLACE. REMOVE THE GRILLE BY PULLING ON IT GENTLY AND EVENLY FORWARD.

REMOVE THE TWO TOP EXISTING FRAME BOLTS ONE AT A TIME AND PLACE THE UPPER STRAP (ITEM 4 & 5) IN THAT LOCATION. DO NOT FULLY TIGHTEN AS YOU NEED TO ADJUST LATER.
NOTE: FOR HDX MOUNTING PLEASE REFER TO (FIG.19 & 20)

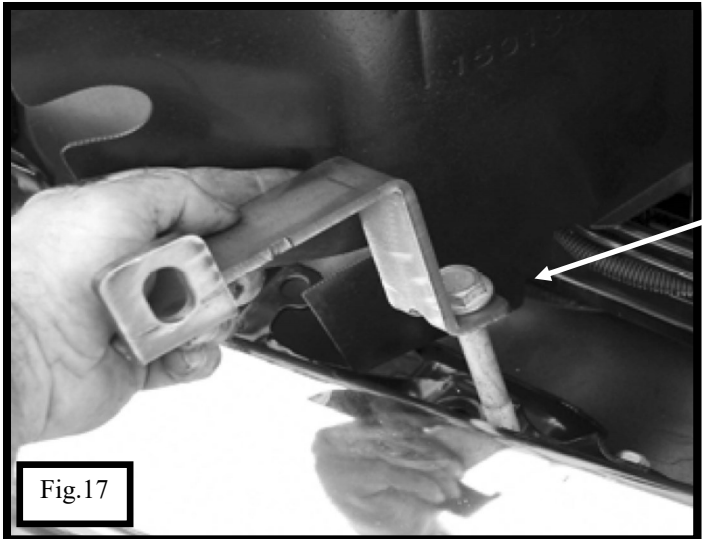


Fig.17

RE-INSTALL FACTORY GRILLE SHELL AT THIS TIME, LINE UP THE CLIPS AND GENTLY PUSH GRILLE SHELL INTO PLACE. DO NOT RE-INSTALL TOP COVERS.

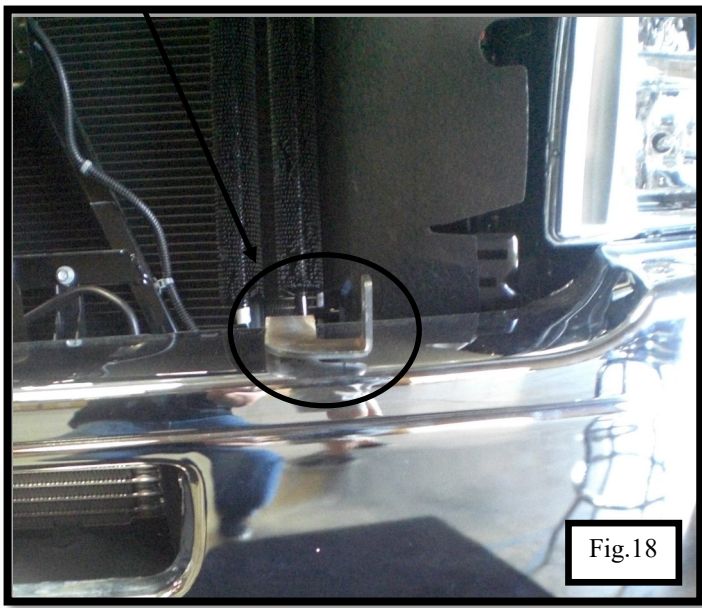


Fig.18

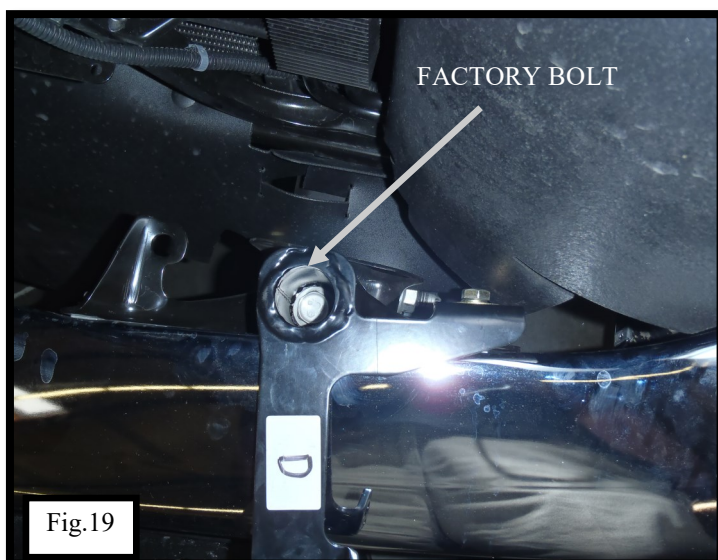


Fig.19

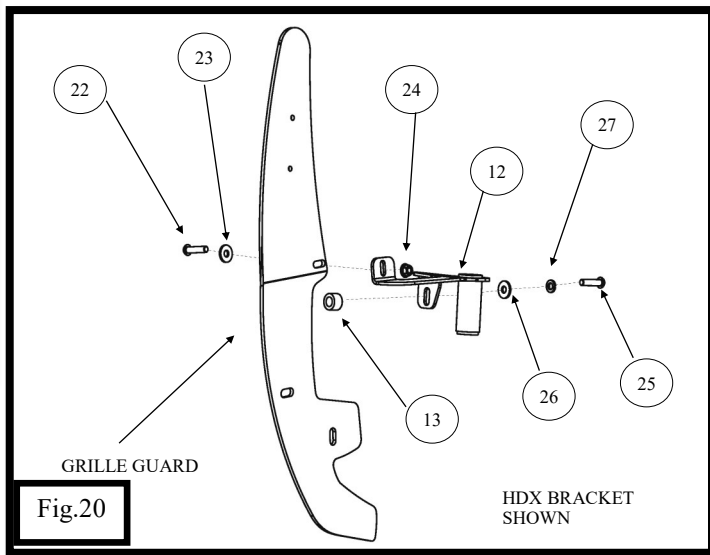


Fig.20

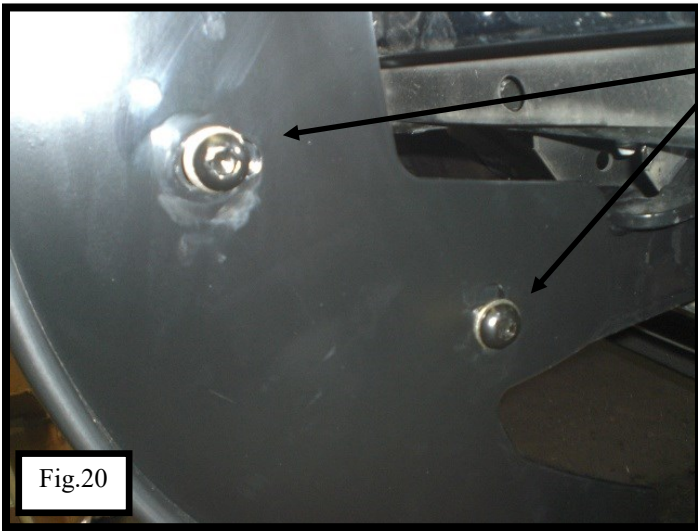


Fig.20

WITH HELP, POSITION THE GRILLE GUARD AND INSTALL BUTTON HEAD BOLTS TO WINCH TRAY. USE ITEMS 14-17 TO ATTACH WINCH TRAY TO GRILLE GUARD.

FOR UPPER STRAP TO GRILLE GUARD ON, USE ITEMS 18-21.

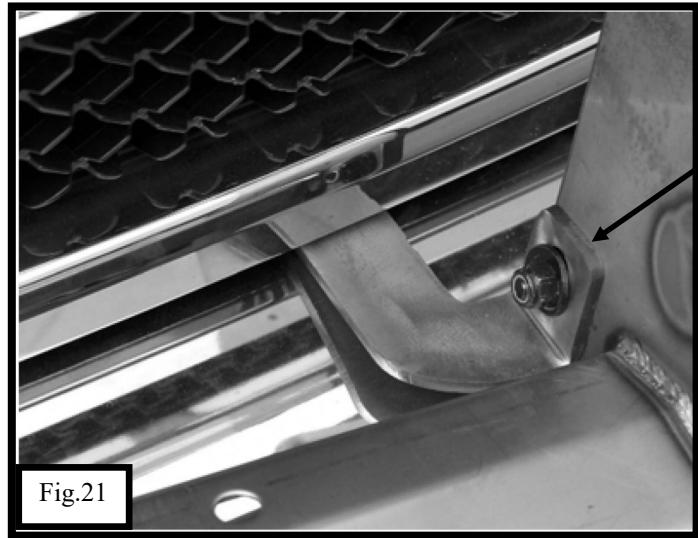


Fig.21

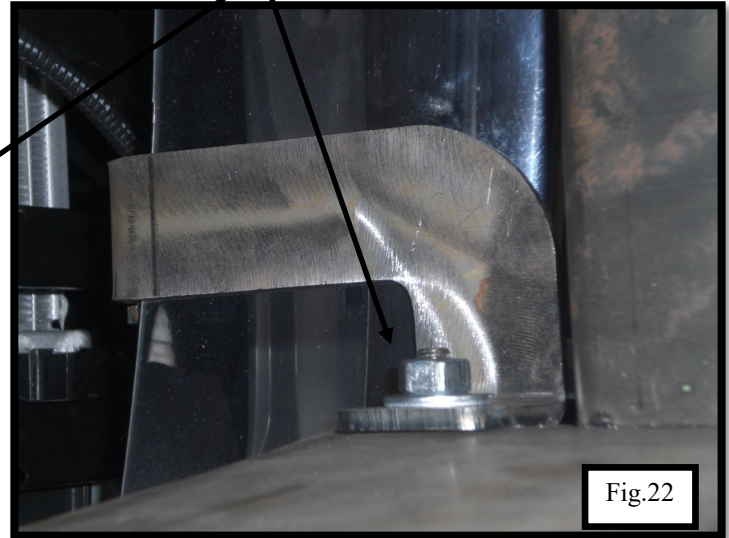


Fig.22

P/n 57-92275 Shown here, Installation complete



Fig.23

ALIGN & ADJUST GRILLE GUARD AS NECESSARY THEN TIGHTEN ALL REMAINING HARDWARE:
M10 to 30-35 ft-lbs., M12 to 50-55 ft-lbs.



WARNING



Failure to follow these instructions could lead to death, personal injury, and / or property damage.

Failure to follow these instructions could lead to death, personal injury, and / or property damage.

FASTENERS:

All Westin supplied fasteners must be utilized and installed in accordance with the installation instructions and apply torque to the specifications as defined. **DOUBLE CHECK ALL FASTENERS BEFORE INITIAL USE, AND PERIODICALLY IN THE FUTURE TO ENSURE PROPER FUNCTION AND SAFETY.**

DRILLING:

Most Westin products do not require drilling for installation. If drilling is defined as required, use caution when drilling a vehicle. **FAILURE TO REVIEW AN AREA TO BE DRILLED MAY RESULT IN PERSONAL INJURY AND/OR INJURY TO OTHERS AS WELL AS VEHICLE DAMAGE.**

EYE PROTECTION:

ALWAYS WEAR SAFETY GLASSES OR GOGGLES DURING THE INSTALLATION PROCESS TO AVOID PERSONAL INJURY.

MAXIMUM TOWING/CARRYING CAPACITY: (if applicable)

The Westin Receiver Hitches will have a visible tow rating label affixed directly on the product. User should never exceed the vehicle manufacturers maximum tow and weight rating regardless of the capacity of the hitch. **FAILURE TO FOLLOW THESE GUIDELINES WILL VOID THE WESTIN WARRANTY AND MAY RESULT IN PERSONAL INJURY AND/OR INJURY TO OTHERS AS WELL AS VEHICLE DAMAGE.**

FOR CALIFORNIA RESIDENTS ONLY-PROP 65 WARNING:

Some products may contain chemicals such as DEHP, which can cause cancer, birth defects or other reproductive harm. For more info go to www.p65warnings.ca.gov



Westin Automotive Products, Inc.
320 Covina Blvd
San Dimas, Ca. 91773

Thank You for choosing Westin products
For Additional installation assistance please call
Customer service (800) 793-7846
www.westinautomotive.com

DATE: 07/21/2021