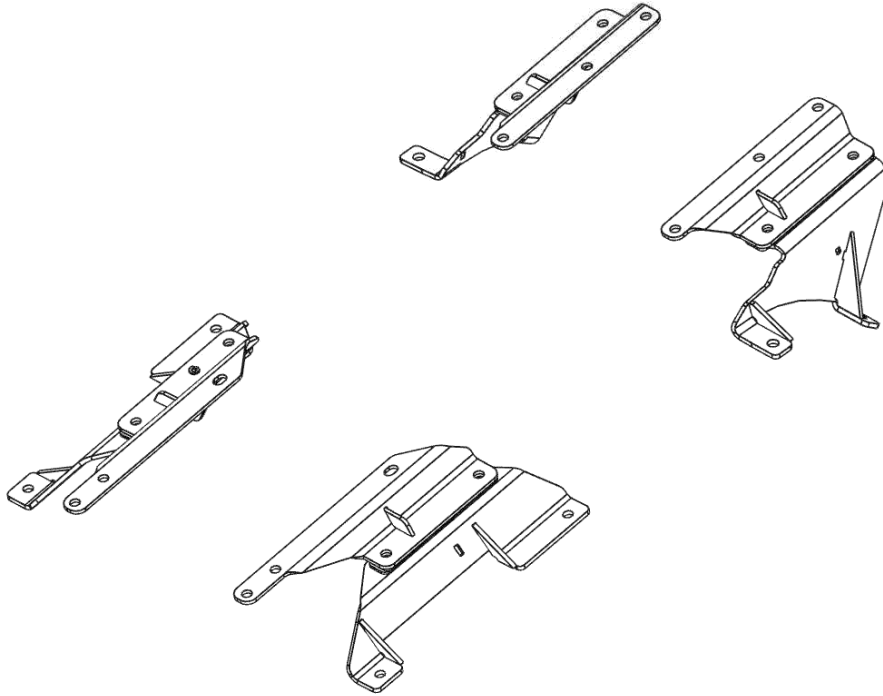


GO RHINO®

INSTALLATION INSTRUCTIONS



PART NO.

- 5910013T

PRODUCT DESCRIPTION:

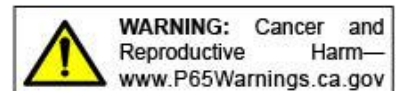
- SRM MOUNTING BRACKET KIT

APPLICATION:

- JEEP WRANGLER JKU

PRODUCT SAFETY & LEGAL DISCLAIMER

- **IMPORTANT READ ALL INSTRUCTIONS CAREFULLY BEFORE INSTALLING, FAILURE TO DO SO MAY CAUSE PERSONAL INJURY OR DAMAGE TO PRODUCT AND/OR PROPERTY.**
- **Review the product package and contents prior to beginning the installation.** Take care when opening the packaging and removing items. If a return is needed you will want to return the product in its original packaging if possible.
- This instruction guide is provided as a GENERAL installation guide, some vehicles vary dimensionally and may require additional steps.
- Test fit the product on the vehicle prior to any third party modifications and or finishing. The manufacturer and/or distributors do not accept responsibility for third party charges, labor and or third part replacement modifications. Some modifications may void the factory warranty.
- Exercise due-diligence when installing this product. The manufacturer and distributors of this product do not accept any responsibility for vehicle damage or personal injury resulting from the installation of this product. Careless installation and operation can result in serious injury or equipment damage.
- This product is for general off-road use. All liability for installation and use rests with the owner/operator.
- **INSTALLER:** Once installation is complete, please return this guide along with other documentation included in this product back to the consumer for future reference. The manufacturer/distributors of this product do not guarantee this particular version will be available at a later date.



© 2016 Go Rhino Products. All rights reserved

www.gorhino.com

589 W. Apollo St., Brea, CA 92821

P: 888 427 4466



INSTALLATION INSTRUCTIONS

INJURY HAZARD

Please complete a shop and tool inspection prior to beginning the installation.

- Always make sure you have a clean, dry and well lit work area.
- Always remove jewelry, loose fitting clothing and wear protective gloves and eye protection.
- Always use extreme caution when jacking or raising a vehicle for work. Set the emergency brake and use tire/wheel blocks and jack stands. Refer to the vehicle manufacturer hand book. Utilize the vehicle manufacturers designated lifting points.
- Always use appropriate and adequate care in lifting parts during disassembly and installation. Seek help in lifting heavy or large items into place. Utilize jacks and or lifting devices when available.
- Always insure products are secure during disassembly and installation.
- Always wear eye protection and take steps to protect any exposed skin during the installations. Drilling, cutting and grinding plastic and metal may create flying particles that can cause injury.
- Always use extreme caution when drilling, cutting and or grinding on a vehicle. Thoroughly inspect the area to be drilled, on both sides of material, prior to modification and relocate any objects that may become damaged.
- Always assemble and tighten all fasteners per the installation instructions.
- Always route electrical cables carefully. Avoid moving parts, parts that may become hot and rough or sharp edges.
- Always insulate and protect all exposed wiring and electrical connections.

MAINTENANCE AND CARE

- Always perform regular inspections and maintenance on mounts and related fasteners.
- Periodically check and tighten all fasteners.
- Stripped, fractured, or bent fasteners must be replaced.
- After washing the vehicle make sure to fully dry all surfaces.
- In areas with cold temperatures make sure to wash the product often to remove harmful materials used on road ways.
- Never use abrasive cleaners or polish compounds. Clean with a gentle soap and water. If you use wax use a non-abrasive automotive wax such as pure carnauba wax.

WARNING

Some products have been designed to work together with factory rear sensor systems, factory forward facing sensor systems and factory air bags.

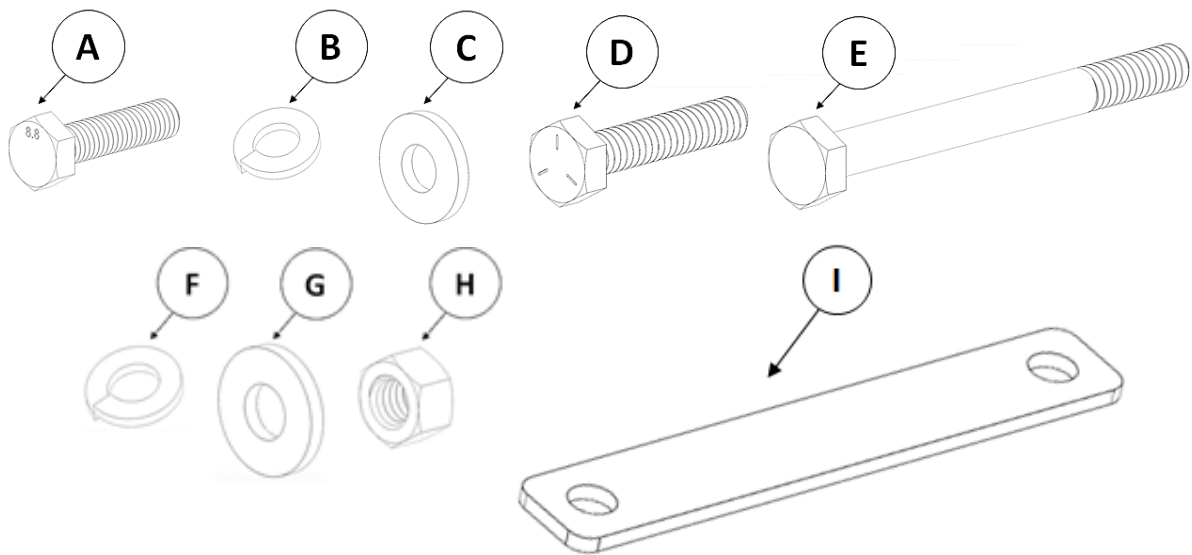
- Installation of some of these products may alter the factory sensor system performance.
- Factory sensors may read shackles or hooks protruding from the fairlead and or tow hooks.
- All sensor testing is completed by Go Rhino Products and or third party testing labs on modified vehicles.
- Sensor sensitivity, factory sensor housing, orientation, and operating conditions are all variables that will influence functionality of the sensors.
- Installation of some product may effect the factory air bag systems.
- Some products allow the use of third party products such as winches, shackles, hooks, etc. Follow the respective manufacturers operating instructions for use with our products.
- Make sure to fully understand the product, it's intended use and operation prior to use.
- Above all... be safe!

GO RHINO®

INSTALLATION INSTRUCTIONS

PARTS INCLUDED IN THIS LIST:

ITEM	QTY.	PART NUMBER	DESCRIPTION	TORQUE	ITEM	QTY.	PART NUMBER	DESCRIPTION
A	6	AST-T203G4	M8 x 35mm Hex Head Bolt	18 ft-lbs	F	10	AST-RPR07G4	3/8" Lock Washer
B	6	AST-RPR71G4	M8 Lock Washer		G	20	AST-RP120G4	3/8" Flat washer
C	6	AST-RP117G4	M8 Flat Washer		H	10	AST-TU105G4	3/8" Hex Nut
D	8	AST-T548G4	3/8" x 1 1/2" Hex Head Bolt	31 ft-lbs	I	8		Adhesive-Back Rectangular Gasket
E	2	AST-T677G4	3/8" x 3 1/2" Hex Head Bolt	31 ft-lbs				



Go Rhino recommends you, the installer, read this installation instruction manual from front to back before installing the product. You may also [click here](http://www.gorhino.com/Installation-Videos) to view an installation video or visit <http://www.gorhino.com/Installation-Videos>.

TOOLS NEEDED FOR INSTALLATION:

- T40 Torx Bit Socket
- 13mm, 7/16" & 9/16 Socket
- Ratchet & Extension
- 7/16", 13mm & 9/16" Wrench
- Tape Measure
- Drill Motor, 1/8" & 3/8" Drill bit

ESTIMATED TIME FOR INSTALLATION:

2 Hour

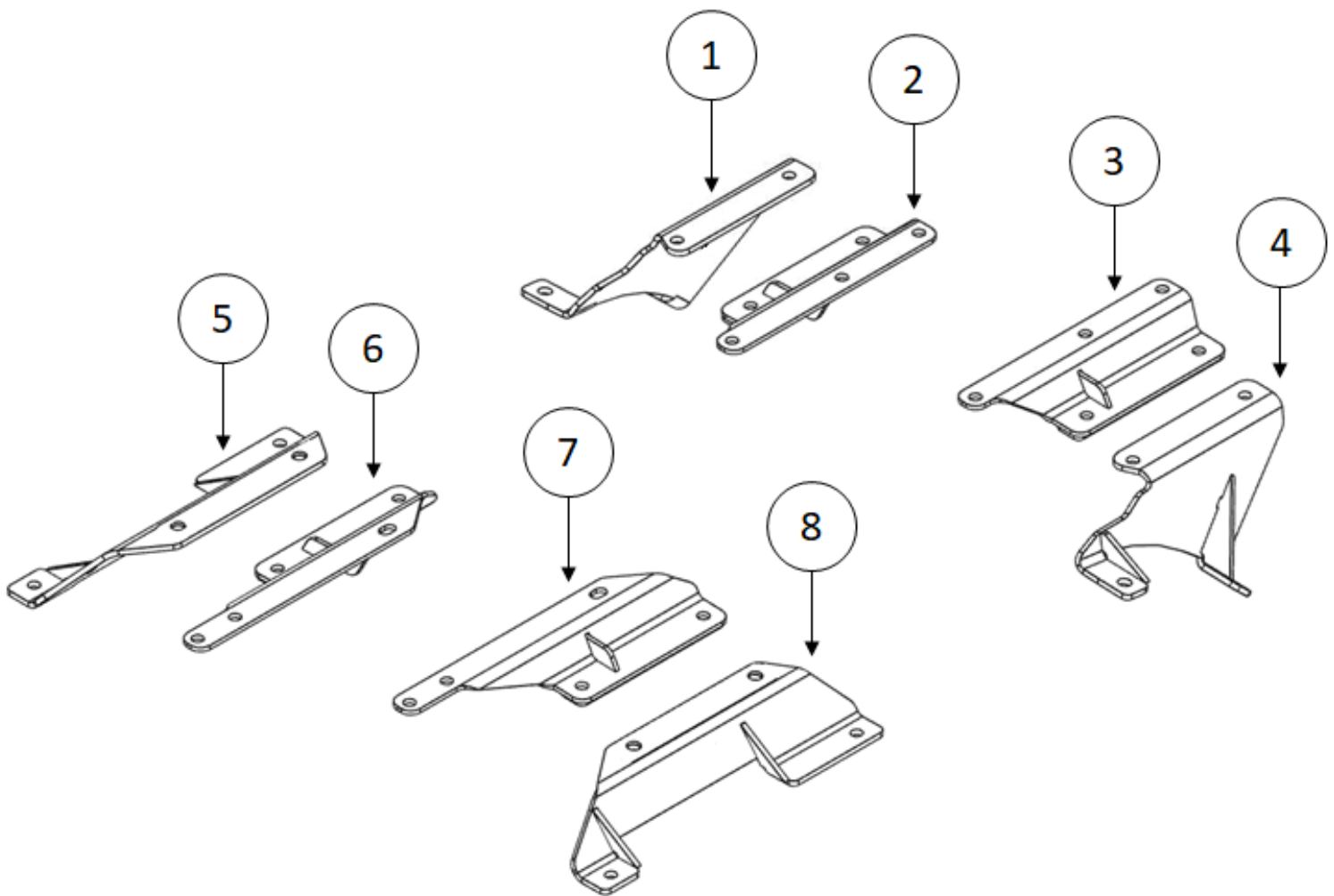
If you need installation service for your new product, call the authorized distributor from whom you purchased the product or an authorized installation service company which can be found by calling toll free 1-888-427-4466

GO RHINO®

INSTALLATION INSTRUCTIONS

PARTS INCLUDED IN THIS LIST:

ITEM	QTY.	PART #	DESCRIPTION	ITEM	QTY.	PART #	DESCRIPTION
1	1		Rear Bracket (Passenger)	5	1		Front Stand Off Bracket (Passenger)
2	1		Rear Stand Off Bracket (Passenger)	6	1		Front Bracket (Passenger)
3	1		Rear Stand Off Bracket (Driver)	7	1		Front Stand Off Bracket (Driver)
4	1		Rear Bracket (Driver)	8	1		Front Bracket (Driver)





INSTALLATION INSTRUCTIONS

Step-1 If equipped remove the fasteners securing the sound bar, disconnect the wiring and position the sound bar out of the way.

Step-2 Remove both front roof panels.

Step-3 Remove the two Torx head screws that secure the hard top at the B-pillar (near the top of the front doors) using a #40 Torx bit socket.

Step-4 Open the swing gate all the way to ensure clearance of the rear window glass. Lift the rear window glass.

Step-5 Remove the six Torx head screws that secure the hard top to the vehicle (along the interior body side) using a #40 Torx head driver.

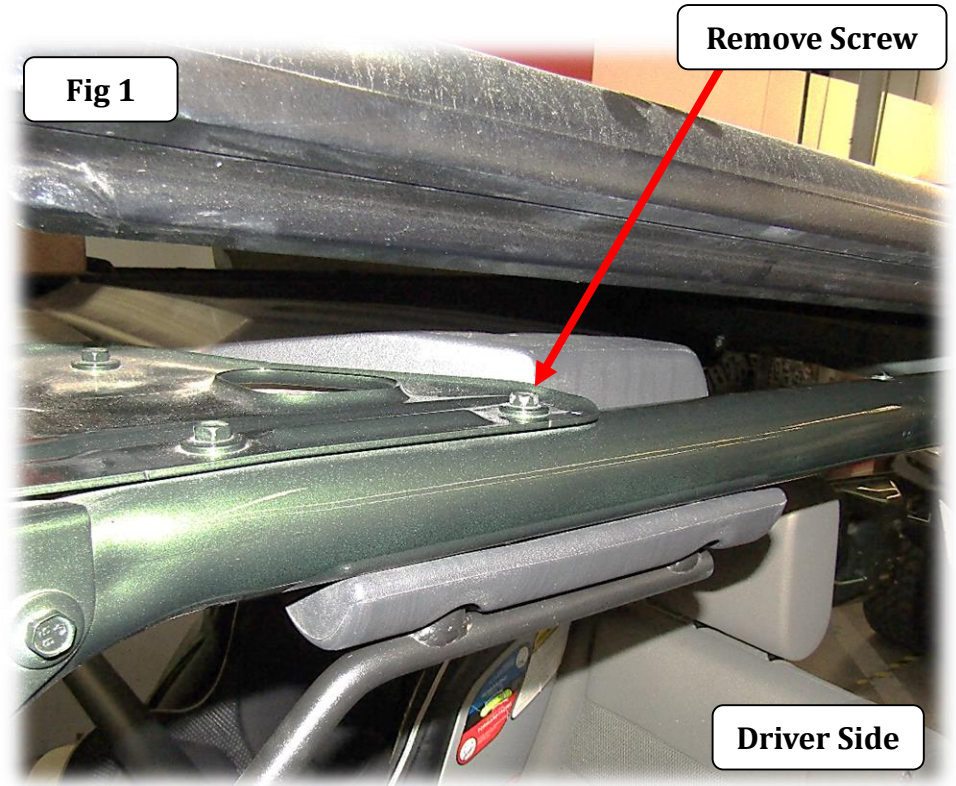
Step-6 With the hard top in place on the vehicle. Lift only the front of the hard top several inches and position wood blocks or similar underneath for support, this will allow access for installation of the front and rear brackets.

Warning: To prevent bodily injury or damage to the vehicle, ensure the hardtop will remain securely in place during the SRM Mounting Bracket Kit installation process.

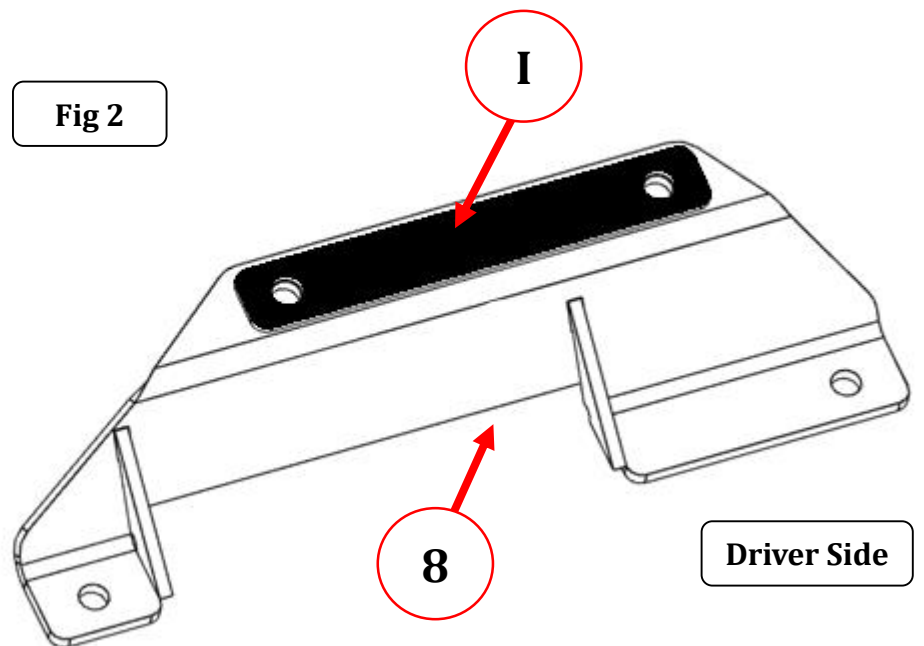
GO RHINO®

INSTALLATION INSTRUCTIONS

Step-7 On the driver side of the vehicle, use a 13mm socket and remove (1) screw securing the center crossbar brace to the top of the sport bar, (Fig 1).



Step-8 Remove the paper backing from one of the rubber pads. With the adhesive side down, align the rubber pad with the top of the driver side front bracket, and stick the rubber pad in place on the driver side front bracket, (Fig 2). Apply firm pressure for about 30 seconds, as the adhesive needs to bond with the mounting surface, and it needs pressure to do this.



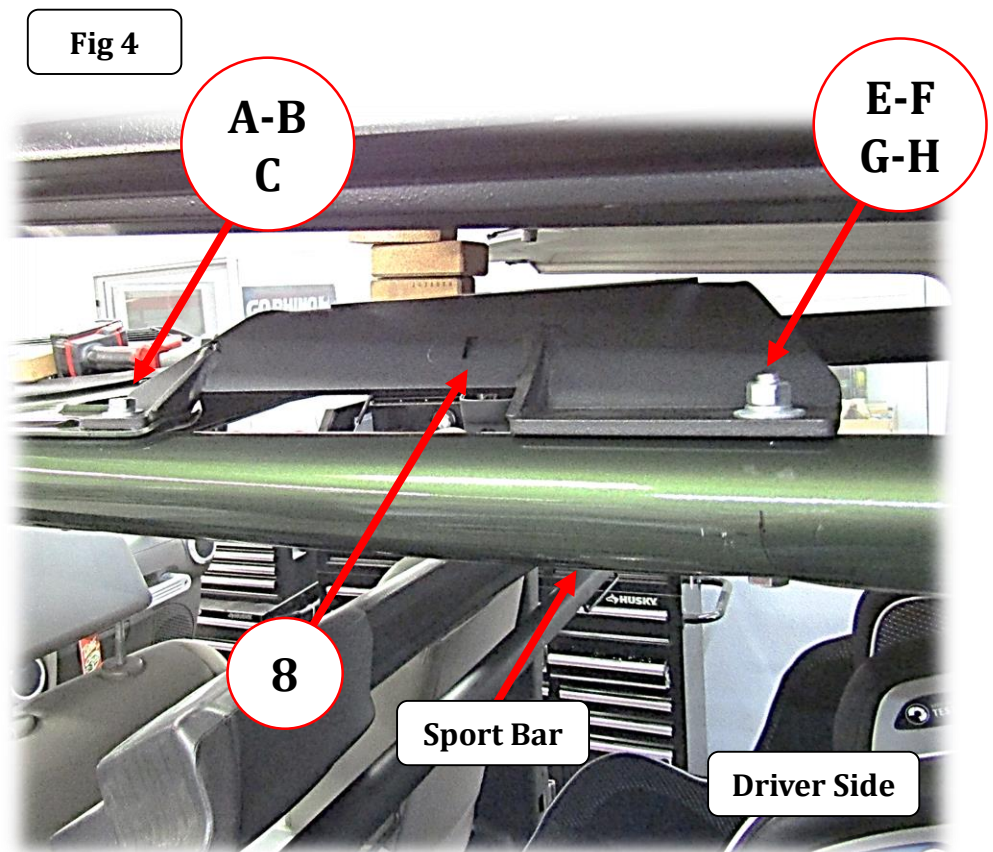
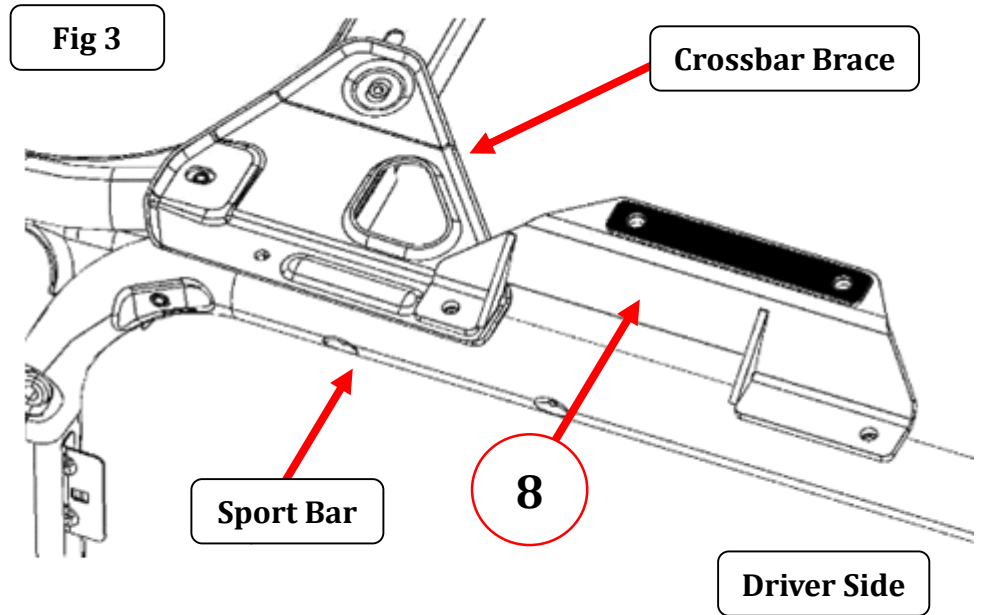
GO RHINO®

INSTALLATION INSTRUCTIONS

Step-9 Position the driver side front bracket on top of crossbar brace and sport bar tube, (Fig 3).

Align the holes and attach the front of the bracket and cross bar brace to the sport bar using (1) M8 x 35mm hex bolt, (1) M8 lock washer and (1) M8 flat washer, (Fig 4).

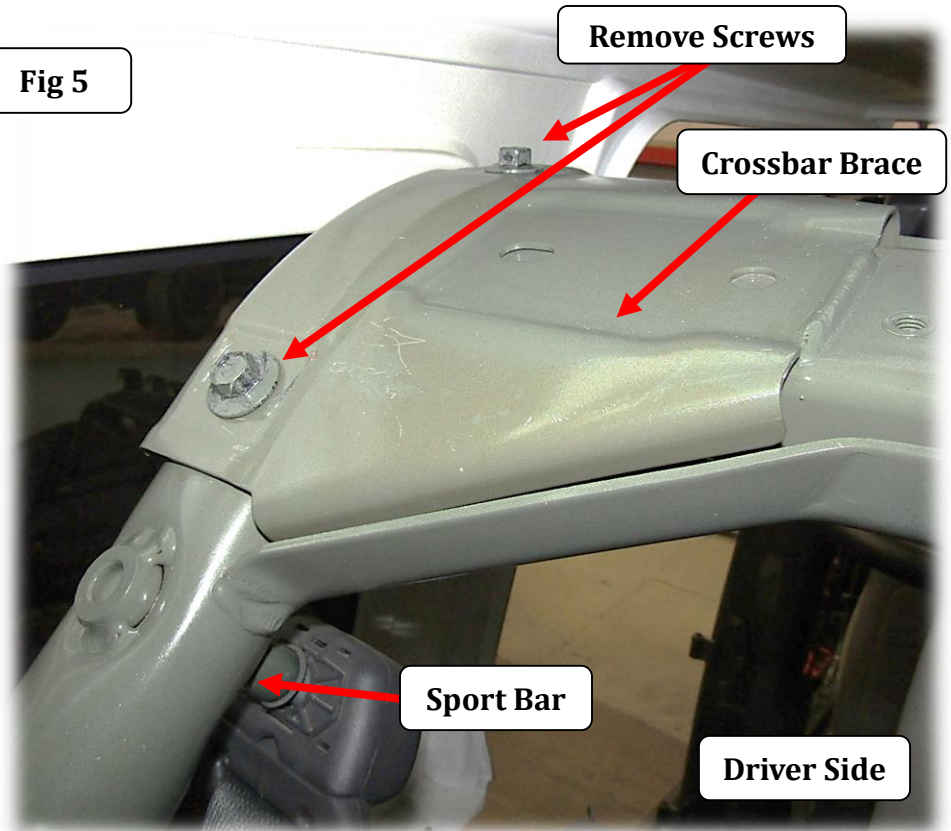
Attach the rear of the front bracket to the sport bar using (1) 3/8" x 3 1/2" hex bolt, (2) 3/8" flat washers, (1) 3/8" lock washer and (1) 3/8" hex nut, (Fig 4). Tighten the nuts and bolts. Repeat steps 7 through 9 for the passenger side front bracket.



GO RHINO®

INSTALLATION INSTRUCTIONS

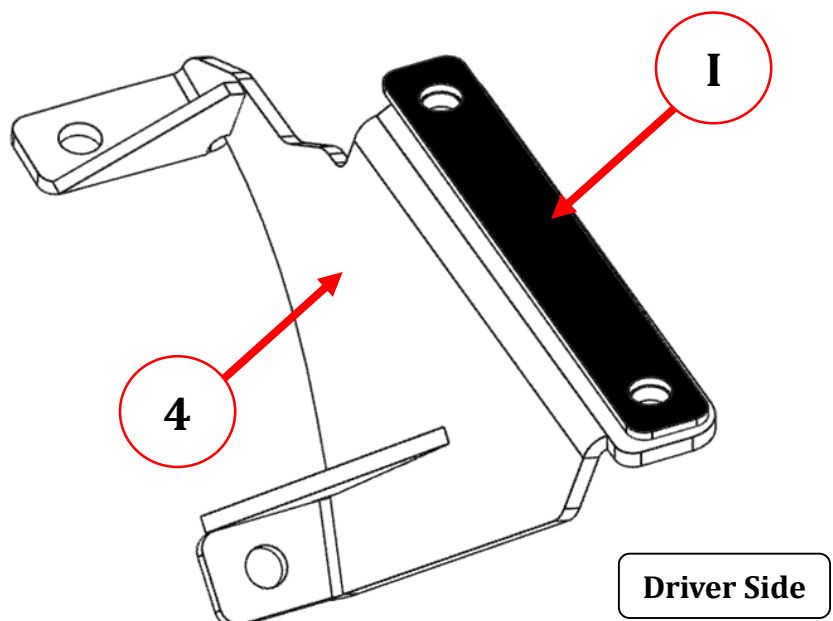
Fig 5



Step-10 On the driver side of the vehicle, use a 13mm socket and remove (2) screws securing the rear crossbar brace to the sport bar, (Fig 5).

Step-11 Remove the paper backing from one of the rubber pads. With the adhesive side down, align the rubber pad with the top of the driver side rear bracket, and stick the rubber pad in place on the bracket, (Fig 6). Apply firm pressure for about 30 seconds, as the adhesive needs to bond with the mounting surface, and it needs pressure to do this.

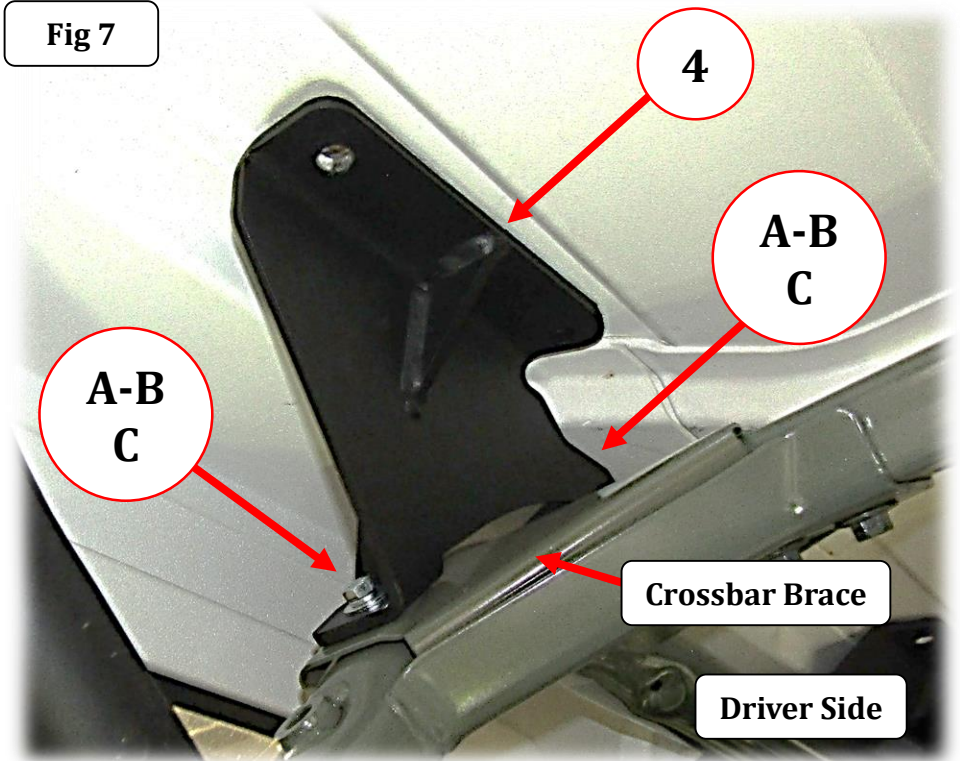
Fig 6



GORRHINO®

INSTALLATION INSTRUCTIONS

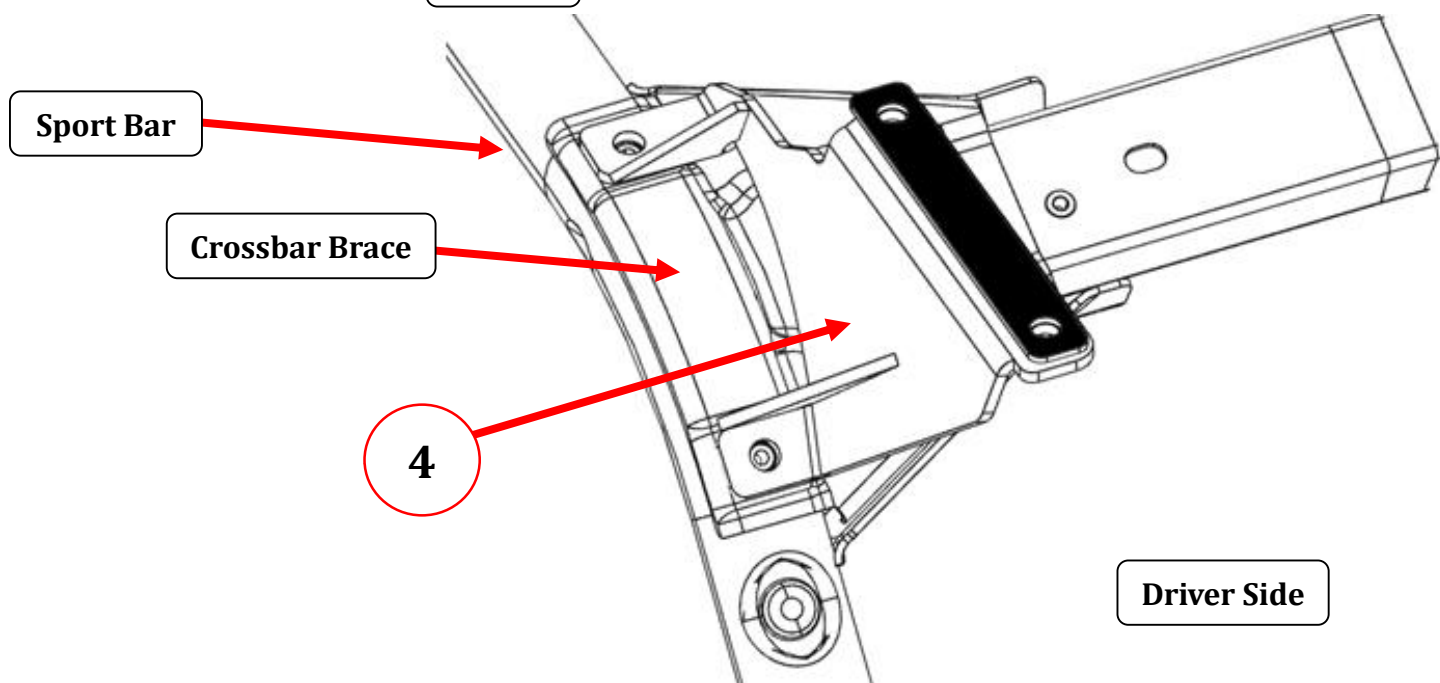
Fig 7



Step-12 Position the driver side rear bracket on top of crossbar brace, align the holes and attach the rear bracket and crossbar brace to the sport bar using (2) M8 x 35mm hex bolts, (2) M8 lock washers and (2) M8 flat washers, (Fig 7). Tighten the bolts.

Repeat steps 10 through 12 for the passenger side rear bracket.

Fig 8

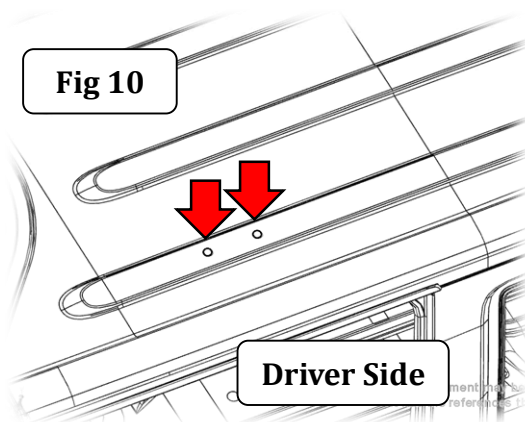
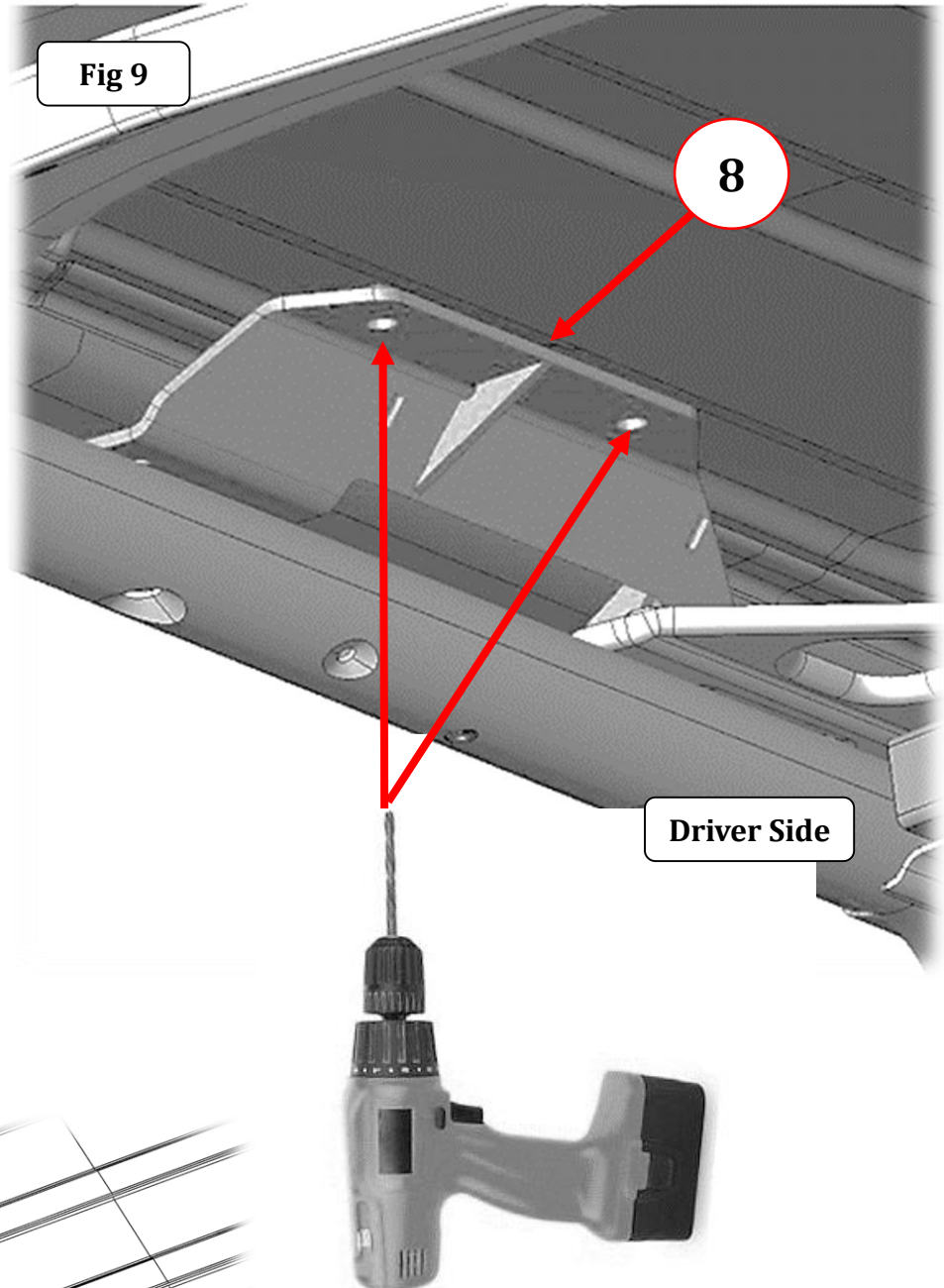


GO RHINO®

INSTALLATION INSTRUCTIONS

Step-13 Remove the supports and lower the hard top back into position on the vehicle. Install and tighten all of the hard top fasteners removed in step 3 and 5.

Step-14 Use the (2) holes in the top of the driver side front bracket as a guide and mark the center of each hole on the interior side of the hard top. Drill a small hole first through the hard top from the interior side, then from the exterior side of the hard top enlarge the drilled hole to 3/8". Repeat for the passenger side front bracket.



GO RHINO®

INSTALLATION INSTRUCTIONS

Step-15 Use the rear hole in the top of the driver side rear bracket as a guide and mark the center of the hole on the interior side of the hard top. Drill a small hole through the hard top from the interior side, then from the exterior side of the hard top enlarge the hole to 3/8".

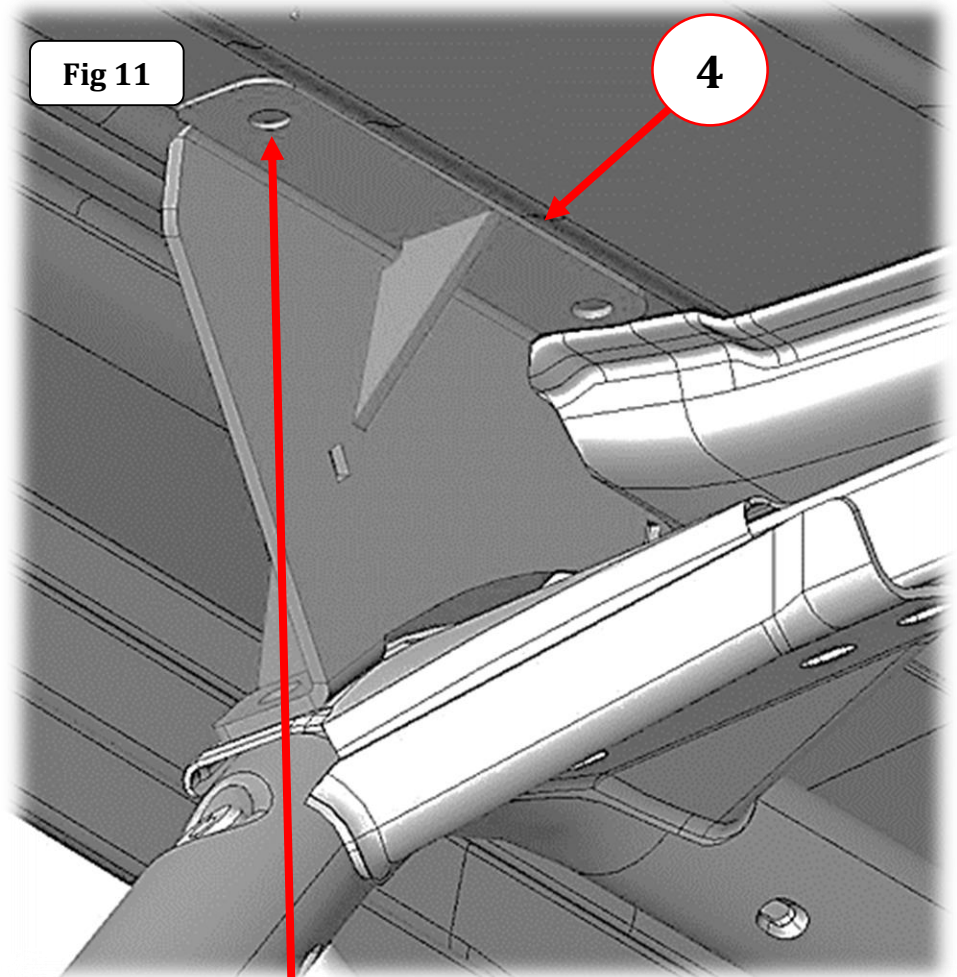


Fig 11

4

Driver Side

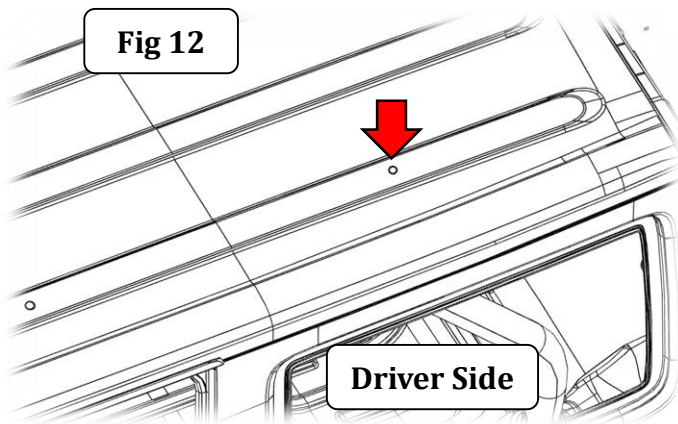


Fig 12

Driver Side



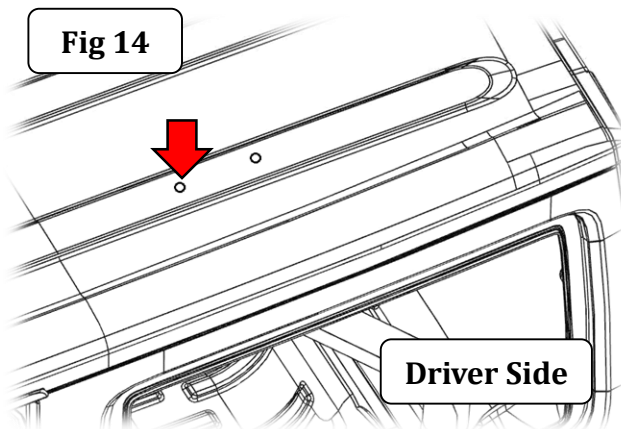
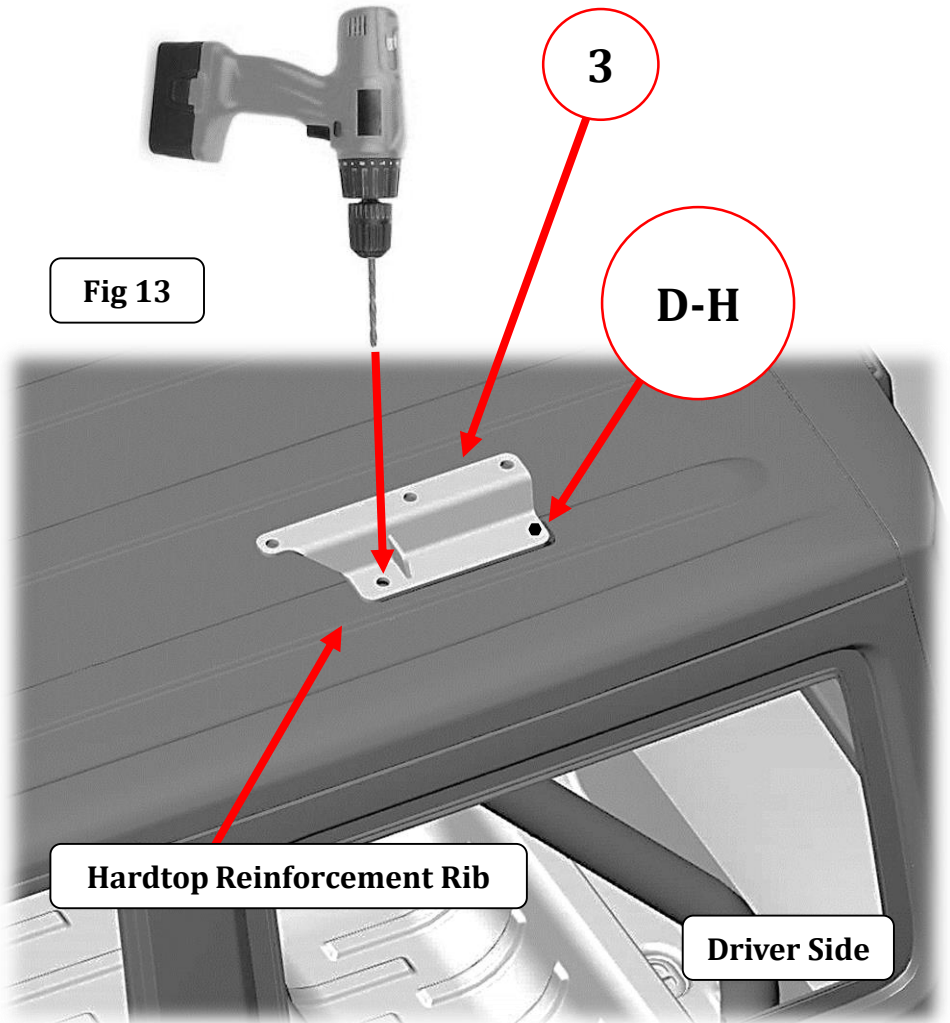
GO RHINO®

INSTALLATION INSTRUCTIONS

Step-16 Attach the driver side rear stand-off bracket to the drilled hole in the hard top and rear bracket using (1) 3/8" x 1 1/2" hex head bolt and (1) 3/8" hex nut. Align the stand-off bracket so it is positioned parallel with the reinforcement rib of the hardtop then snug the nut and bolt.

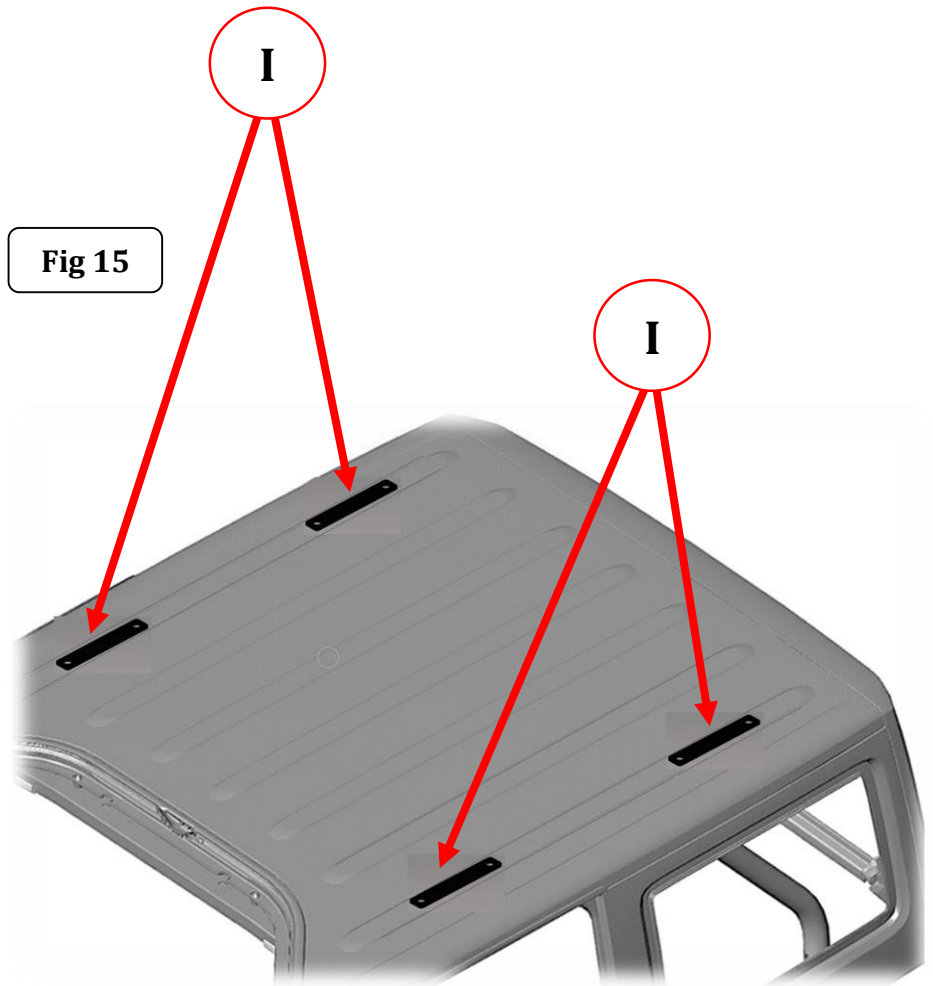
Step-17 Use the front hole in the stand-off bracket as a guide and mark the center of the hole on the hard top. Remove the nut, bolt and stand-off bracket.

Step-18 Drill a small hole through the hard top from the exterior side, confirm the drilled hole aligns with the front hole in the driver side rear bracket, then enlarge the small drilled hole to 3/8". Repeat step 16 through 18 for the passenger side rear bracket.



INSTALLATION INSTRUCTIONS

Step-19 Working from the exterior side of the hard top, remove the paper backing from the remaining rubber pads. With the adhesive side down, align the rubber pads with the holes drilled in the hard top and stick the rubber pads in place on the hard top, (Fig 15). Apply firm pressure on the rubber pads for about 30 seconds, as the adhesive needs to bond with the vehicle hard top, and it needs pressure to do this. Note: Clean the area where the holes were drilled in the hard top prior to installing the rubber pads as dirt and dust will prevent the rubber pads from sticking to the hard top.

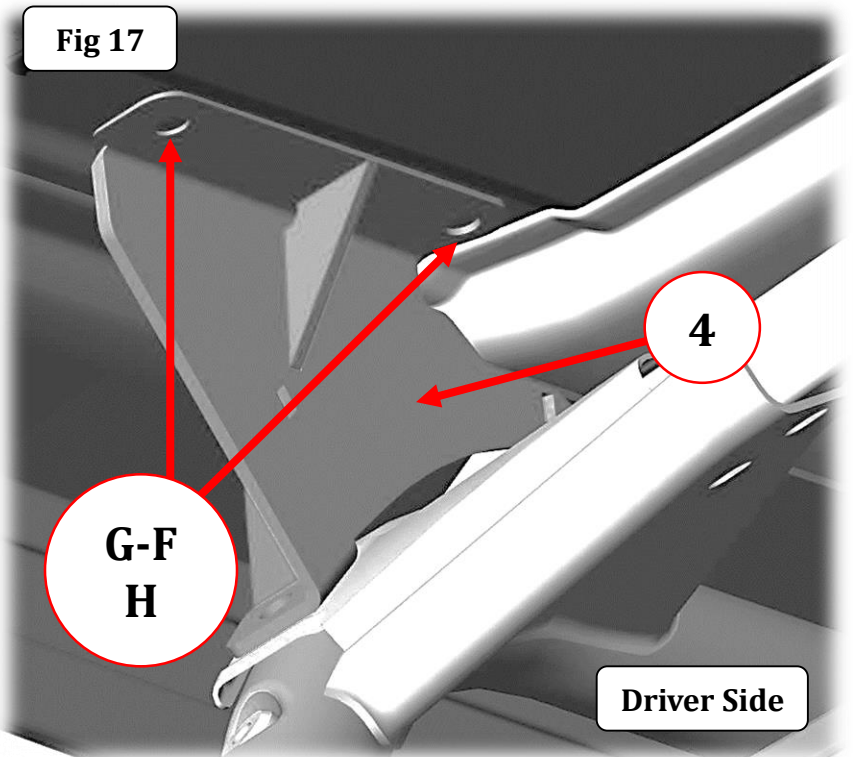
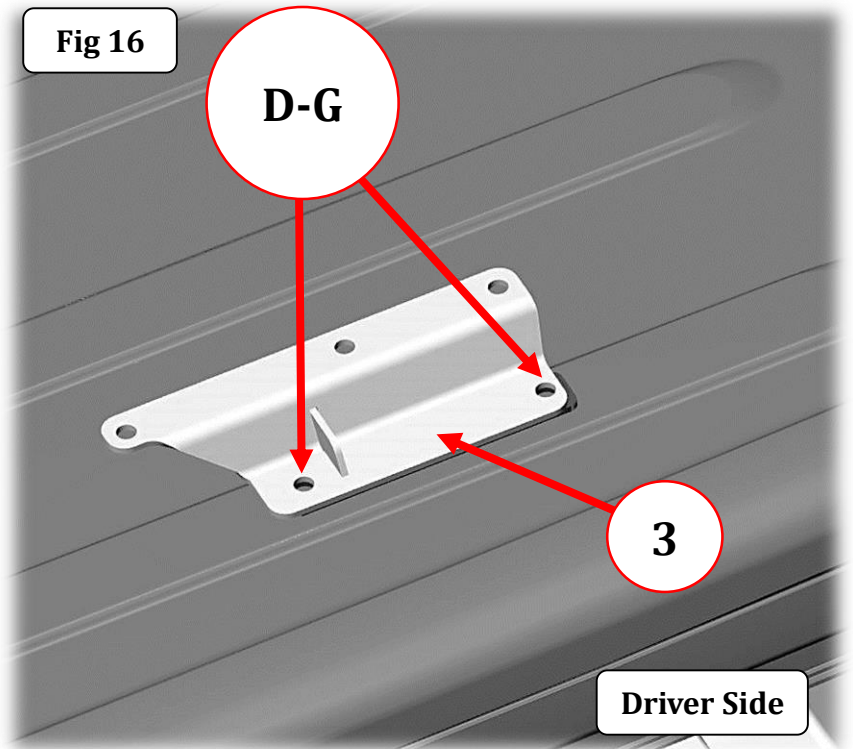


GO RHINO®

INSTALLATION INSTRUCTIONS

Step-20 Attach the driver side rear stand off bracket to the hard top and rear bracket using (2) 3/8" x 1 1/2" hex head bolts, (4) 3/8" flat washers, (2) 3/8" lock Washers and (2) 3/8" hex nuts, (Fig 16 & 17). Snug but do not tighten the nuts and bolts. Repeat step 16 for the driver and passenger front stand off brackets and the passenger side rear stand off bracket.

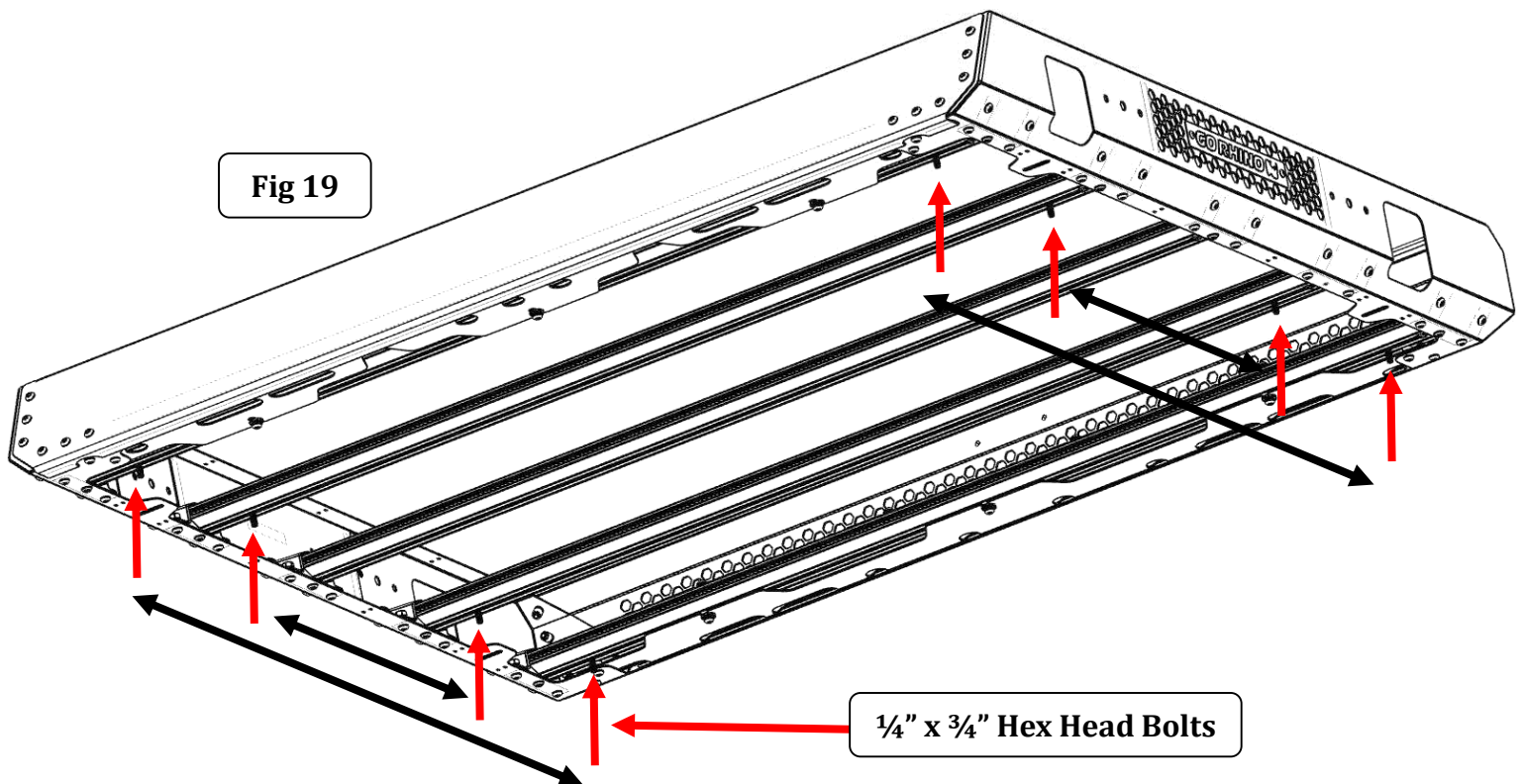
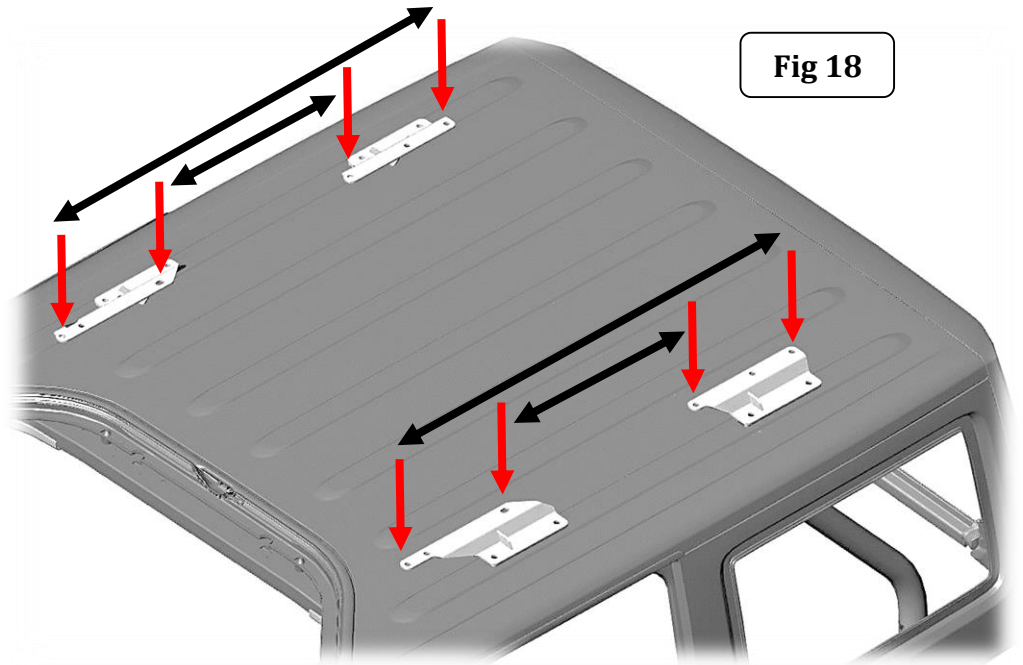
Note: The holes drilled in the hard top for the brackets should be waterproofed to prevent a leak. Apply automotive silicone sealant on top of each mounting hole on the hard top prior to installing the stand off bracket, hex bolts, washers and nuts.



GORRHINO[®]

INSTALLATION INSTRUCTIONS

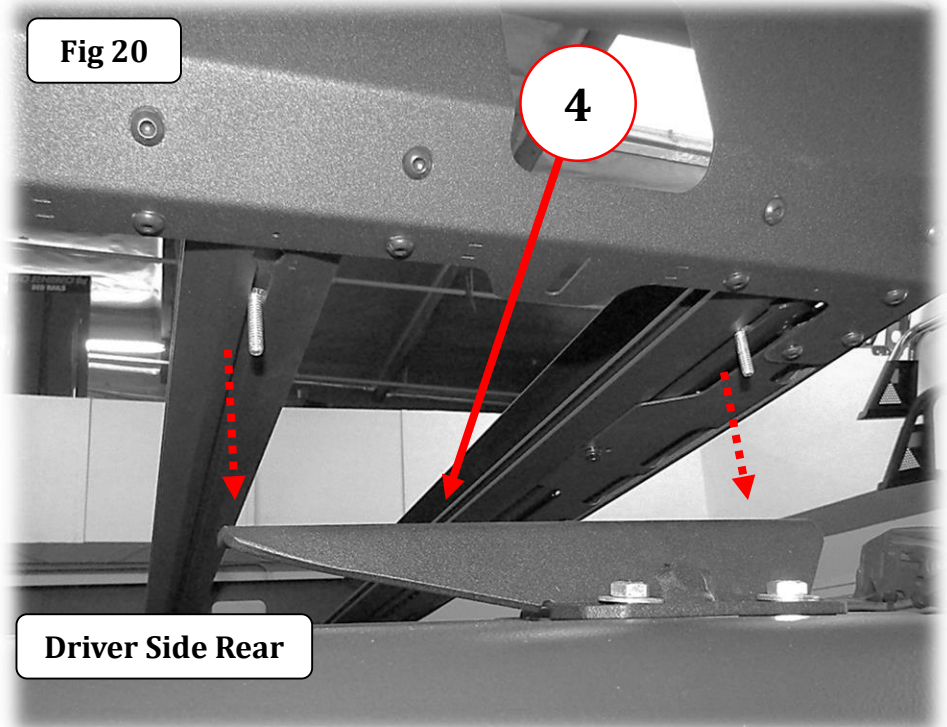
Step-21 Reference the measurements of the SRM Bracket Kit stand off brackets and install (2) $\frac{1}{4}$ " x $\frac{3}{4}$ " hex head bolts (Supplied with SRM Roof Rack) in the 4 crossbars that will align with the stand off brackets, (Fig 19).



GORRHINO®

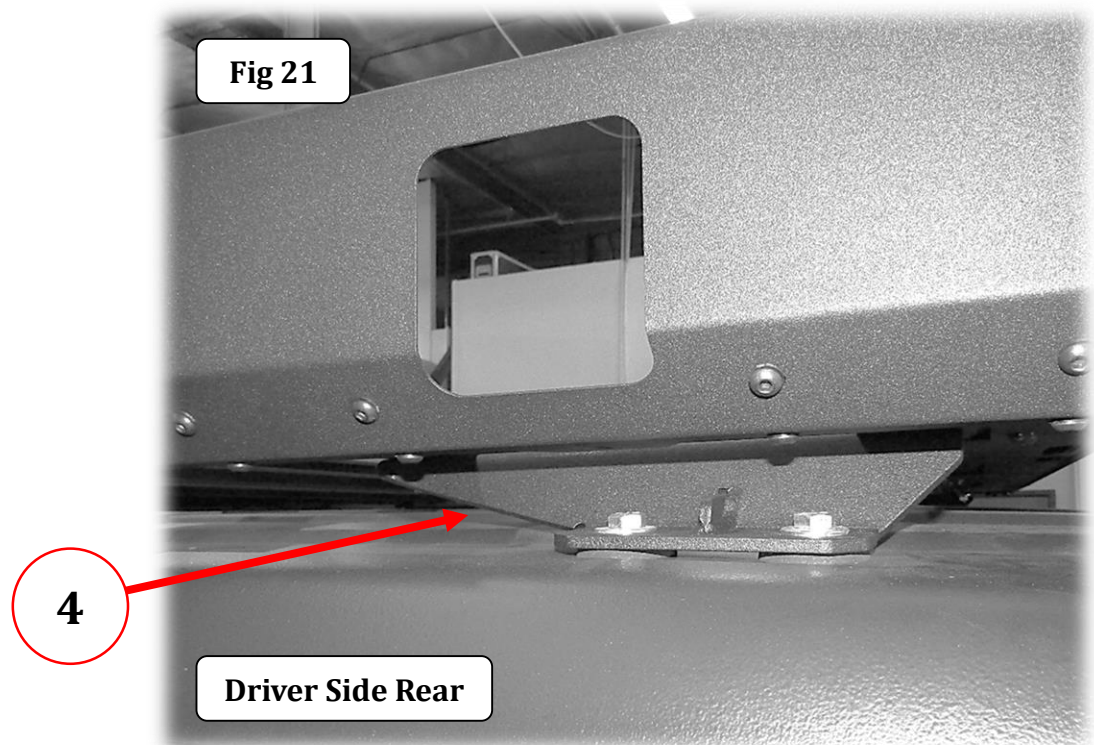
INSTALLATION INSTRUCTIONS

Fig 20



Step-22 With assistance, align the $\frac{1}{4}$ " x $\frac{3}{4}$ " hex head bolts installed in the SRM Roof Rack crossbars with the holes in the standoff brackets then position the SRM Roof Rack assembly on top of the stand off brackets, (Fig 20 & 21).

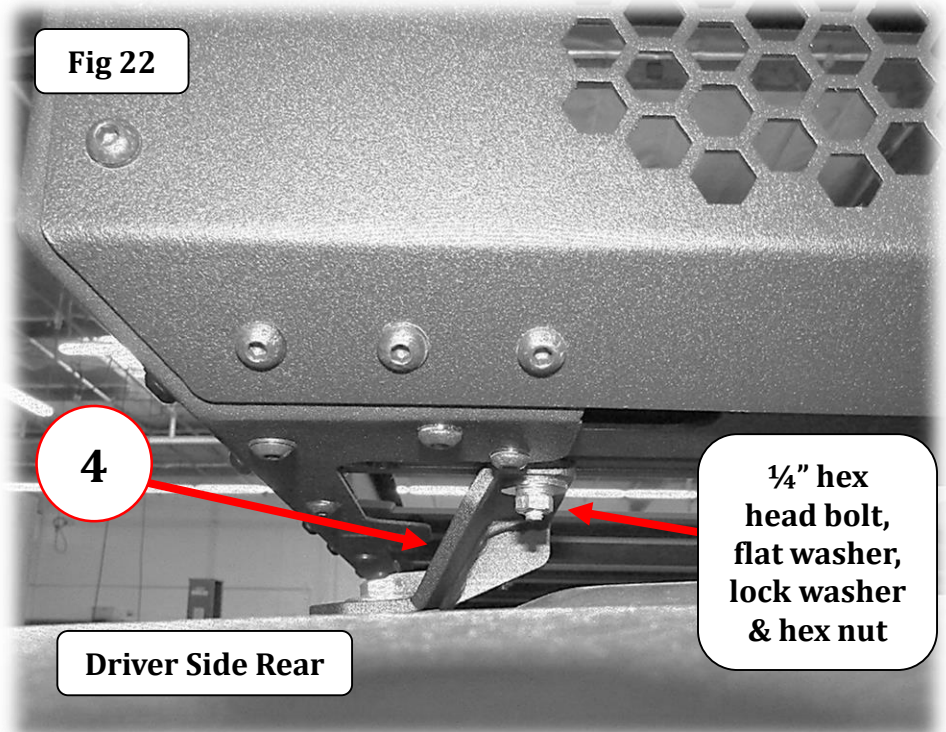
Fig 21



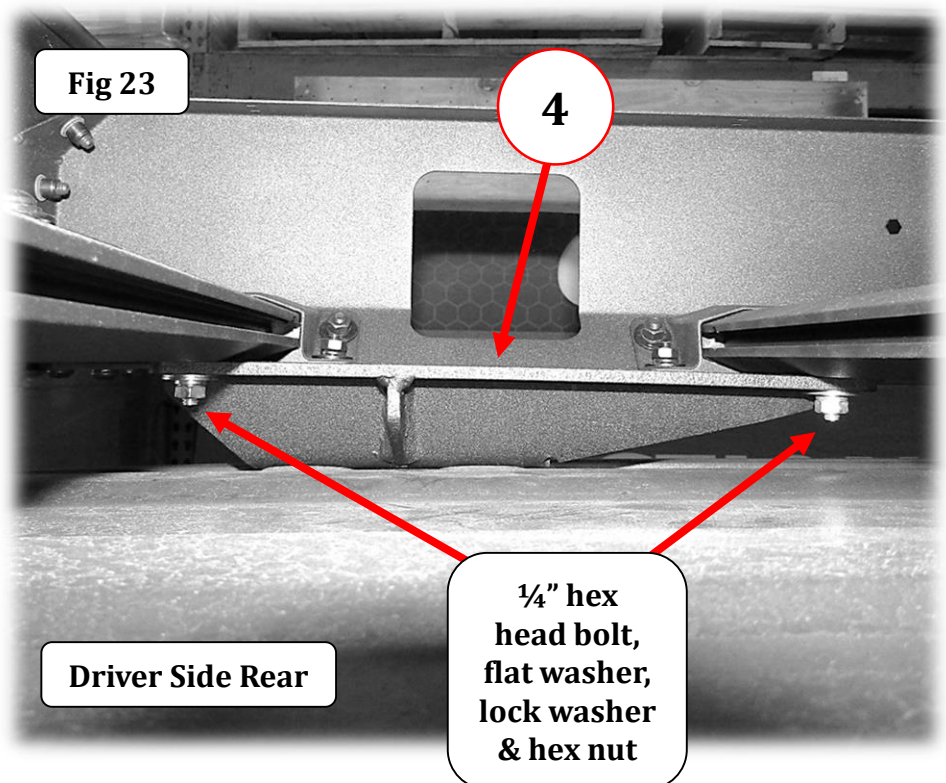
GO RHINO®

INSTALLATION INSTRUCTIONS

Step-23 Attach SRM Roof Rack crossbars to each stand off bracket using the 1/4" x 3/4" hex bolts, (2) 1/4" flat washers, (2) 1/4" lock washers and (2) 1/4" hex nuts supplied with the SRM Roof Rack, (Fig 22 & 23).



Step-24 Tighten all nuts and bolts securing the SRM Roof Rack to the stand off brackets then tighten all nuts and bolts securing the SRM Bracket Kit to the vehicle hard top and sport bar.





INSTALLATION INSTRUCTIONS

LIMITED WARRANTY

Go Rhino warrants to Buyer that for a period of five (5) years from the date of shipment of the product(s) ("Warranty Period") for black finishes and chrome finishes, that such products will materially conform to the specifications set forth in Go Rhino's specifications in effect as of the date of shipment(s) and will be free from material defects in material workmanship.

Go Rhino warrants to Buyer that for the life of the product(s) from the date of shipment of the product(s) ("Warranty Period") for polished stainless steel finished products purchased after April 2004, that such products will materially conform to the specifications set forth in Go Rhino's specifications in effect as of the date of shipments and will be free from material defects in material workmanship.

Warranty claims must be accompanied with the original invoice and photos of the product. It is the customer's responsibility to clean regularly and protect finish with regular applications of a nonabrasive polish that is compatible with the product's finish.

This warranty covers the cost of the product only and does not include the cost of removal, installation, third party modifications or shipping of the product. In no event shall Go Rhino be liable to buyer or any third party for any damage or harm caused by the product or use thereof, regardless of whether such damages were foreseeable and whether or not Go Rhino has been advised of the possibility of such damages, not withstanding the failure of any agreed or other remedy of its essential purpose. This warranty is void if the product shows signs of alteration, misuse, mishandling, improper care, neglect, improper application and/or damage due to improper installation.

With respect to any such product(s) during the limited warranty period, Go Rhino shall, in its sole discretion, either: (i) provide a one-time repair or replacement of such products (or the defective part) or (ii) credit or refund the price of such products at the pro rata contract rate provided that, if Go Rhino so requests, Buyer shall, at Go Rhino's expense, return such product(s) to Go Rhino. The remedies shall be the Buyer's sole and exclusive remedy and Go Rhino's entire liability for any breach of the limited warrant(ies).

Go Rhino disclaims all other warranties except to the extent that any such warranty cannot be validly disclaimed under applicable law.

Finish Limited Warranty:

Limited lifetime on stainless steel products (after April 2004)
5 year warranty on black powder coat products
5 year warranty on chrome products
This warranty does not cover exposed welds

Finish warranty covers peeling, flaking, or cracking. Washing all finishes regularly with car wash soap and rinsing well with water is the best method for maintaining the finish on your products. You must also protect the finish with nonabrasive automotive wax on a regular basis. The use of any compound which contains abrasives becomes a self-defeating exercise as the compound scratches the finish and opens it to corrosion. The use of harsh chemicals used to remove bugs and tar may also cause the finish to fail and should be avoided.

If you are unsatisfied with your purchase please contact the establishment you purchased the product from.

If you need to place a warranty claim or need assistance, the Go Rhino customer service team will answer any questions you may have. Please contact the Go Rhino customer service team at 1-888-427-4466 during normal business hours Monday thru Friday 7 am to 5 pm PST. You may also email warranty@gorhino.com. In order to better serve you please provide a copy of the original invoice / receipt, a photo of the issue you are experiencing and a photo of the vehicle the product is installed on.

All warranty returns must have an approved RGA number. The RGA number must be clearly marked on the exterior of the return package. All approved warranty returns must be shipped to Go Rhino Products, 810 Nafta Blvd Laredo, TX 78045

PRODUCT REGISTRATION

Please remember to register your new purchase. You may register your product at www.gorhino.com. Registering your product may help speed any future warranty or customer service inquiries.

Thank you again for purchasing from Go Rhino Products

Please take a few minutes to view additional products for your vehicle and more at GORHINO.com
These installation instructions are available on the Go Rhino web site along with installation videos for many of our products.

www.gorhino.com

www.bigcountryauto.com

www.gorhinopd.com