

**2019 DODGE RAM 2500-3500
WINCH BUMPER
FRONT BUMPER INSTALLATION INSTRUCTIONS**



SAFETY

Know Safety, no injury. Know injury, no safety. ~Author Unknown
If there are any questions, call 1-855-HHTOUGH

- **READ ALL SAFETY INSTRUCTIONS BEFORE INSTALLATION**
 - FOLLOW ALL INSTRUCTIONS FOR PROPER ASSEMBLY
 - WEAR APPROPRIATE EYE PROTECTION
 - EXERCISE CARE WHEN LIFTING COMPONENTS
 - USE APPROPRIATE TORQUE FOR BOLTS
 - BLUE THREAD LOCKING COMPOUND IS RECOMMENDED ON ALL BOLTS





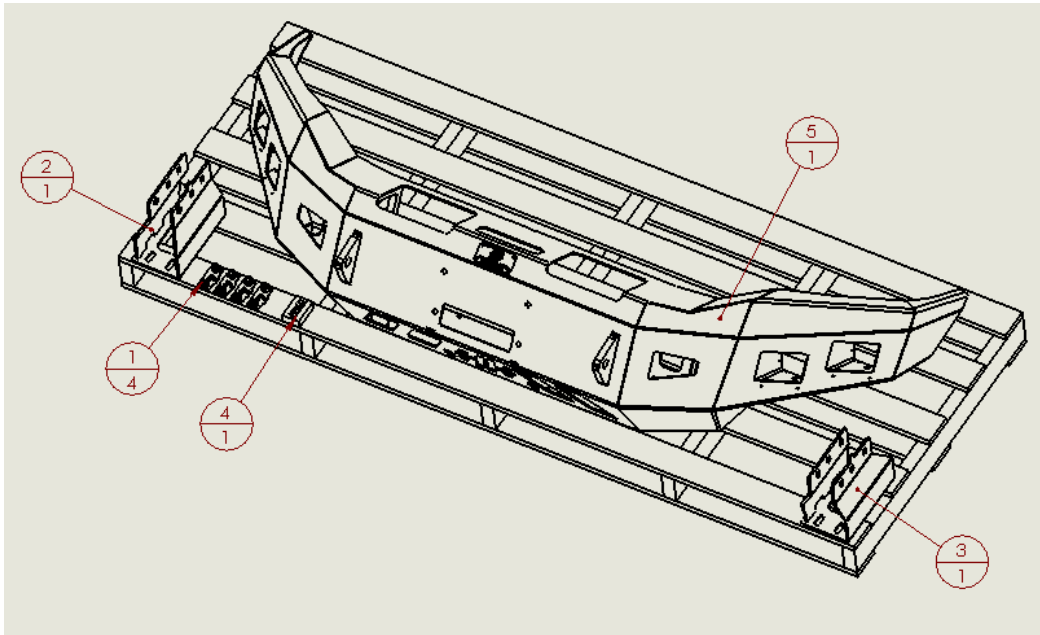
600-56-0960

Suggested Torque Values For Steel Grade 5 Standard Bolts		
BOLT DIAMETER (INCH)	THREADS PER INCH	TORQUE (POUND - FEET)
1/4	20	7
5/16	18	14
3/8	16	25
7/16	14	40
1/2	13	60
9/16	12	88
5/8	11	120
3/4	10	200
7/8	9	302
1	8	466

Suggested Torque Values For Steel Grade 8.8 Metric Bolts		
BOLT DIAMETER (mm)	THREAD PITCH (mm)	TORQUE (POUND-FEET)
6	1.0	7
8	1.25	16
10	1.5	32
12	1.75	55
14	2.0	88
16	2.0	140
18	2.5	195
20	2.5	275
22	2.5	375
24	3.0	475

I. PARTS LIST

ITEM NO.	QTY	PART NUMBER	DESCRIPTION	
1	4	601-56-0611	WELDNUT TAB 5	-
2	1	601-56-5374	R FRAME MOUNT WELDMENT	-
3	1	601-56-5375	L FRAME MOUNT WELDMENT	-
4	1	60K-56-0062	HARDWARE KIT #62	-
5	1	60P-56-0960	600-56-0960 POLISHED	-



REMOVE CONTENTS FROM BOX AND VERIFY ALL PARTS ARE PRESENT.

If there are any questions, call 1-855 HHTOUGH or email HHORDERS@hammerheadarmor.com

II. TOOL LIST

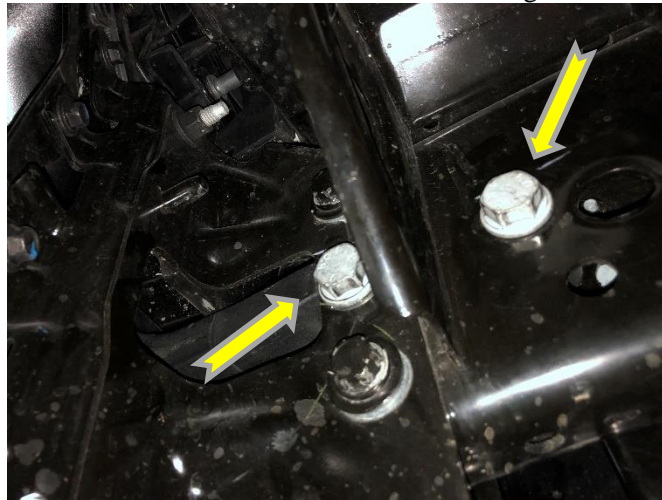
1. A Good Friend
2. Basic Tool Kit
3. Blue Masking Tape
4. Trim Tool
5. 18mm Socket
6. 18mm Wrench
7. 24mm Socket
8. ¾" socket

III. VEHICLE PREPARATION

1. Park vehicle on level surface.
2. Engage parking brake and disconnect battery.
3. Using blue masking tape, mask along the profile of your truck above the bumper. This will help protect your truck from any accidental scratches.

IV. REMOVAL OF OE BUMPER

1. Disconnect the OE fog light harness and sensor harness (if applicable)
2. Using a 24mm socket or wrench, remove the 2 bolts attaching the tow hook to the frame (Both Sides)



3. Remove the tow hooks through the front of the bumper and set them aside, they will not be used again.
4. Using an 18mm socket and wrench, remove the 2 bolts attaching the bumper to the frame. (Both Sides)



5. With the help of a friend, remove the OE bumper and set it aside.

V. INSTALLATION OF HAMMERHEAD BUMPER

1. Lay bumper face down on a carpeted surface or piece of cardboard. Install winch and all lights in bumper using brackets and hardware provided by light manufacturer.

2. Lay out frame mounts, weldnut tabs and hardware as shown.



3. Install frame mounts on frame using OE hardware.
4. Using a hoist or a few friends, attach bumper to frame mounts using hardware kit# 62. Start all bolts before aligning bumper. Leave a minimum of 3/8" space between bumper and truck body. When the truck flexes off-road, this distance allows your bumper and truck body to have clearance. Tighten bolts with 3/4" socket or wrench. Tighten frame mount bolts at this time.



**Congratulations! Your Installation is now complete.
Thank You for your purchase!**