

# CHEVY-GMC 1500-2500-3500 REAR BSM CAPABLE (FLUSH MOUNT)

## REAR BUMPER INSTALLATION INSTRUCTIONS



# SAFETY

**Know Safety, no injury. Know injury, no safety. ~Author Unknown**

If there are any questions, call 1-855-HHTOUGH

- **READ ALL SAFETY INSTRUCTIONS BEFORE INSTALLATION**
  - FOLLOW ALL INSTRUCTIONS FOR PROPER ASSEMBLY
  - WEAR APPROPRIATE EYE PROTECTION
  - EXERCISE CARE WHEN LIFTING COMPONENTS
  - USE APPROPRIATE TORQUE FOR BOLTS
  - BLUE THREAD LOCKING COMPOUND IS RECOMMENDED ON ALL BOLTS

### **SUGGESTED TORQUE VALUES FOR STEEL GRADE SAE 5 BOLTS**

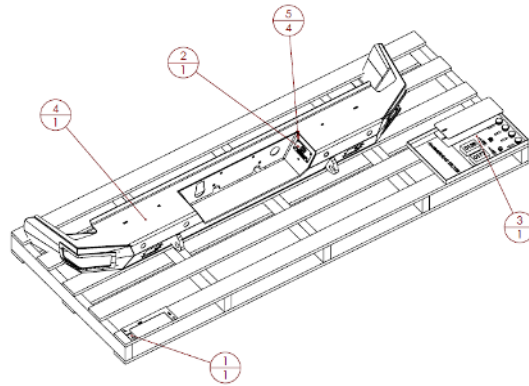
BOLT DIAMETER (INCH)	TREADS PER INCH	TORQUE (POUND-FEET)
1/4	20	7
5/16	18	14
3/8	16	25
7/16	14	40
1/2	13	60
9/16	12	88
5/8	11	120
3/4	10	200
7/8	9	302
1	8	466



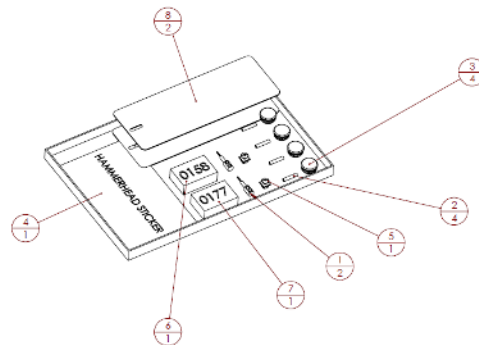
600-56-1006

**I. PARTS LIST**

ITEM NO.	QTY.	PART NUMBER	DESCRIPTION
1	1	601-56-5576	MODULE BRACKET
2	1	601-56-9992	BLACK HAMMERHEAD LABEL W/ HOLES
3	1	60H-56-0060	INSTALL KIT #60
4	1	60P-56-1006	600-56-1006 POLISHED
5	4	318-12-0005	0.188" X 0.125" AL POP RIVET



ITEM NO.	QTY.	PART NUMBER	DESCRIPTION
1	2	307-07-0008	12V COOL WHITE LED 120DEG BLK
2	4	307-09-0135	BUTT SPLICE 22/16 RED, HEATSINK
3	4	316-01-0005	1.25" PLUG BT-FLUSH LDPE BLACK
4	1	409-01-0125	HAMMERHEAD STICKER
5	1	443-01-0086	LICENSE PLATE MOUNTING KIT
6	1	60K-56-0158	HARDWARE KIT #158
7	1	60K-56-0177	HARDWARE KIT #177
8	2	601-56-5544	PLASTIC COVER 1



**REMOVE CONTENTS FROM BOX AND VERIFY ALL PARTS ARE PRESENT.**

**If there are any questions, call 1-855 HHTOUGH or email [HHORDERS@hammerheadarmor.com](mailto:HHORDERS@hammerheadarmor.com)**



600-56-1006

## II. TOOL LIST

1. A Good Friend
2. Basic Tool Kit
3. Blue Masking Tape
4. Trim Tool
5. 7mm wrench or socket
6. 13mm wrench or socket
7. 18mm wrench and socket
8. 21mm wrench or socket
9. 3/4" wrench or socket

## III. VEHICLE PREPARATION

1. Park vehicle on level surface.
2. Engage parking brake and disconnect battery.
3. Using blue masking tape, mask along the profile of your truck above the bumper. This will help protect your truck from any accidental scratches.

## IV. REMOVAL OF OE BUMPER

1. Disconnect trailer plug.



2. Disconnect license plate and sensor harness.



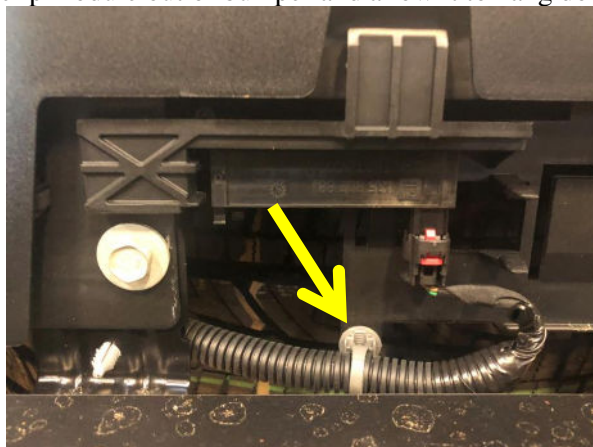
- Using 13mm socket, remove lower bolt attaching side brace to bumper. (both sides)



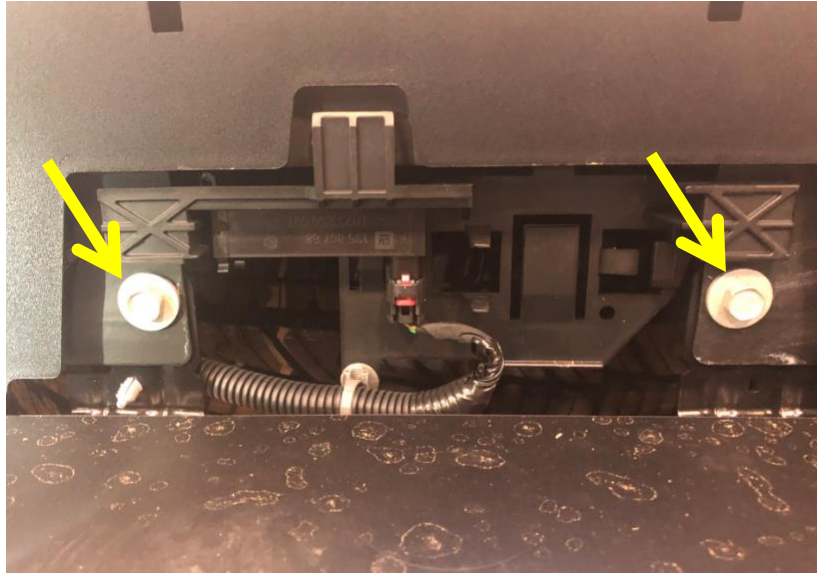
- Using 18mm socket or wrench, remove two nuts attaching OE bumper to receiver hitch. (both sides)



- Using trim tool, remove one plastic retainer attaching wire loom to bumper. (arrow) Leave module plugged in. Unclip module out of bumper and allow it to hang down.



- Using 13mm socket, remove two bolts attaching OE bumper to receiver hitch. Remove bumper and set aside.



- Using 21mm socket, remove nut attaching side brace to frame. Remove brace and replace nut.







600-56-1006

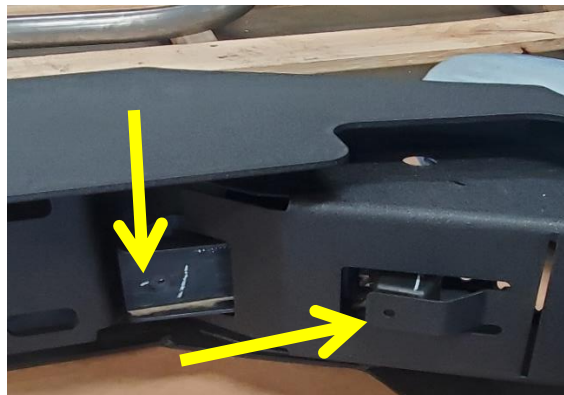
## V. INSTALLATION OF HAMMERHEAD BUMPER

**If you do not have a BSM system, skip to step 4:**

1. Carefully remove all OE sensors and sensor clips, trailer plug, and spare tire carrier access door. Remove OE blind spot monitor (BSM) mounts with a 7mm socket or wrench and leave the BSM in it. Remove threaded inserts from OE bumper for the BSM mount with a flat tip screw driver. Set hardware aside, it will be reused.



2. Install sensor and sensor clips into bumper carefully. Be sure to orientate all sensors in the same direction as the OE bumper.
3. Install BSM. Place the threaded insert into the holes in the BSM mounts. Slide the BSM through the side step into place a secure with OE hardware. NOTE: Plug BSM in before mounting.



4. Install Hammerhead BSM plastic covers. They bolt in to the step using a carriage head bolt and nylock nut.





600-56-1006

5. Install license plate lights and mounting kit in bumper. Splice lights into factory wiring harness with provided butt splices.
6. Optional: Using OE hardware, install exhaust tips.



7. Install any LED lights into bumper.
8. Move clip nut from the hitch to the module bracket. Clip the electrical module into the module bracket. Use a 13mm socket and OE hardware to install the module bracket.
9. With help from friends, attach bumper to frame using hardware kit #177 and weldnut tab B (qty-2). Use one bolt lock washer and flat washer for each hole. Place weldnut tabs inside frame mounts and install bolts from frame side. Start all bolts before aligning bumper. Open the tailgate slowly to ensure a minimum of 3/8" clearance below tailgate and truck body. Tighten bolts with 5/8" socket.



**Congratulations! Your Installation is now complete.  
Thank You for your purchase!**