

ROAD ARMOR

RULE THE ROAD



INSTALL INSTRUCTIONS

iDentity Rear Bumper

Product : 6112DR

Application : 2011-2016 Ford Super Duty

I WARNING

Read the instructions completely before beginning installation. Before tightening bolts, drilling or cutting where required, check to make sure there are no obstructions such as brake, fuel or electrical lines which may be damaged. Also keep in mind this is an after-market product and MAY require minor shimming and/or trimming, reaming, etc. for proper fit. Road Armor is not responsible for any damages to vehicle.

ⓘ IMPORTANT NOTICE

- Be sure to inspect and test fit your product to ensure proper fitment before having it coated, painted, bed lined, etc.
- Road Armor will not be responsible for the cost of coating your unit if any problems with fit or finish are not

SAFETY FIRST!

- FOLLOW ALL INSTRUCTIONS, YOUR SAFETY AND THE SAFETY OF OTHERS IS MOST IMPORTANT.
- WEAR APPROPRIATE EYE PROTECTION AND EXERCISE CAUTION WHEN DRILLING / CUTTING

REQUIRED TOOLS

SAE & METRIC Socket set and wrenches

Screw drivers, pry tool, pick tool, pliers

RECOMMENDED TOOLS

Adjustable Table Cart / Table/Pallet Lift or Hoist

Impact driver

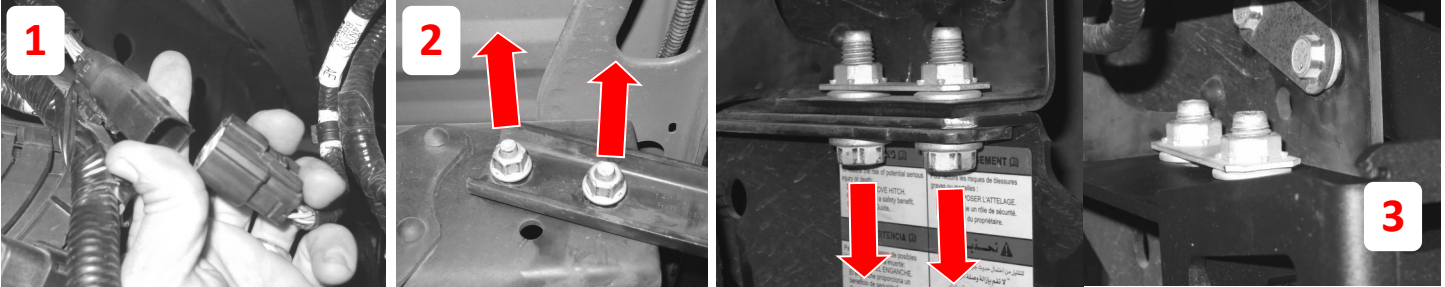
INCLUDED HARDWARE

- 14 #10-24 x 1/2" Button Socket Cap Screw
- 6 1.5" Single Bolt Tab
- 6 1/2" Flat Washer
- 6 1/2" Split Lock Washer
- 6 1/2" Hex Nut
- 8 #10-24 External Tooth Lock washer K—Lock Nut
- 6 1/2" Bolt 15/16" O.D. Zinc Push nut Bolt Retainer
- 16 7/16" - 13 x 1-1/2" Hex Cap Screw
- 8 7/16" Medium Split Lock Washer
- 8 7/16" x 1 1/2" Hex Bolt
- 8 7/16" Hex Nut
- 8 1/4" x 0.734" Flat Washer
- 4 1/4" - 20 x 3/4" Button Socket Cap Screw
- 4 1/4" - 20 Nylon Insert Lock Nut
- 4 1/4" License Plate Nut White Nylon
- 4 M6 x 16mm Phillips Hex Washer Head Tap Screw

KIT COMPONENT LIST

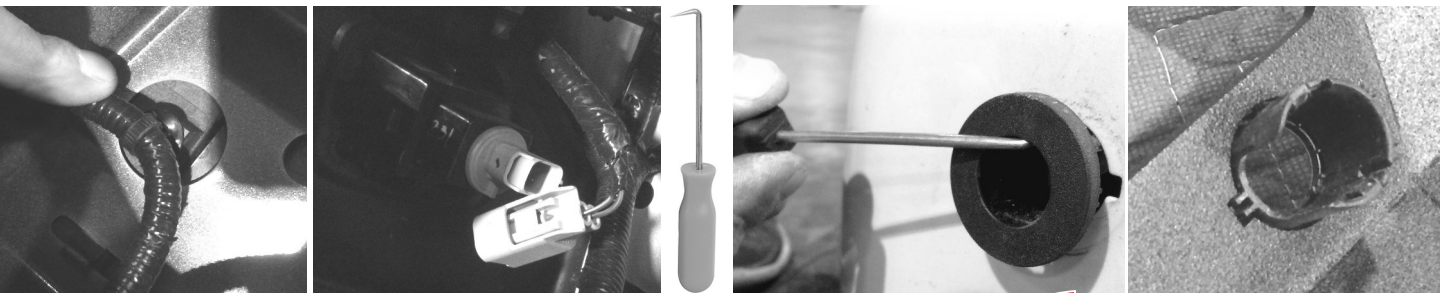
- 1 Main REAR Center Section
- 1 Driver Side REAR End Pod
- 1 Passenger Side REAR End Pod
- 1 Driver Side Frame Bracket
- 1 Passenger Side Frame Bracket
- 1 Step Plate
- 1 Driver Side Mesh
- 1 Passenger Side Mesh
- 2 Driver Side 6" SR Light Bracket
- 2 Passenger Side 6" SR Light Bracket
- 2 Rear 8" Accent Lights
- 1 Accent Light Module
- 1 Rear RA Logo Shield

- 1 Unplug bumper wiring harness from body harness.
- 2 Remove nuts and double bolt plate both sides, then remove OE bumper.
- 3 Remove 2 bolts from Trailer Hitch each side as shown and fit up Road Armor bracket re-using the OEM hardware.

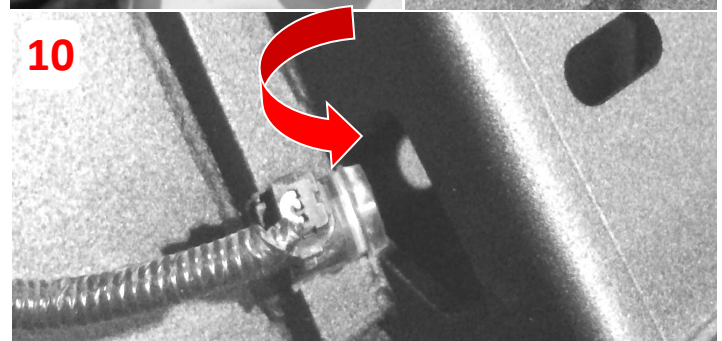


NOTE STEPS 6 AND 7 APPLY ONLY TO BUMPERS WITH SENSORS

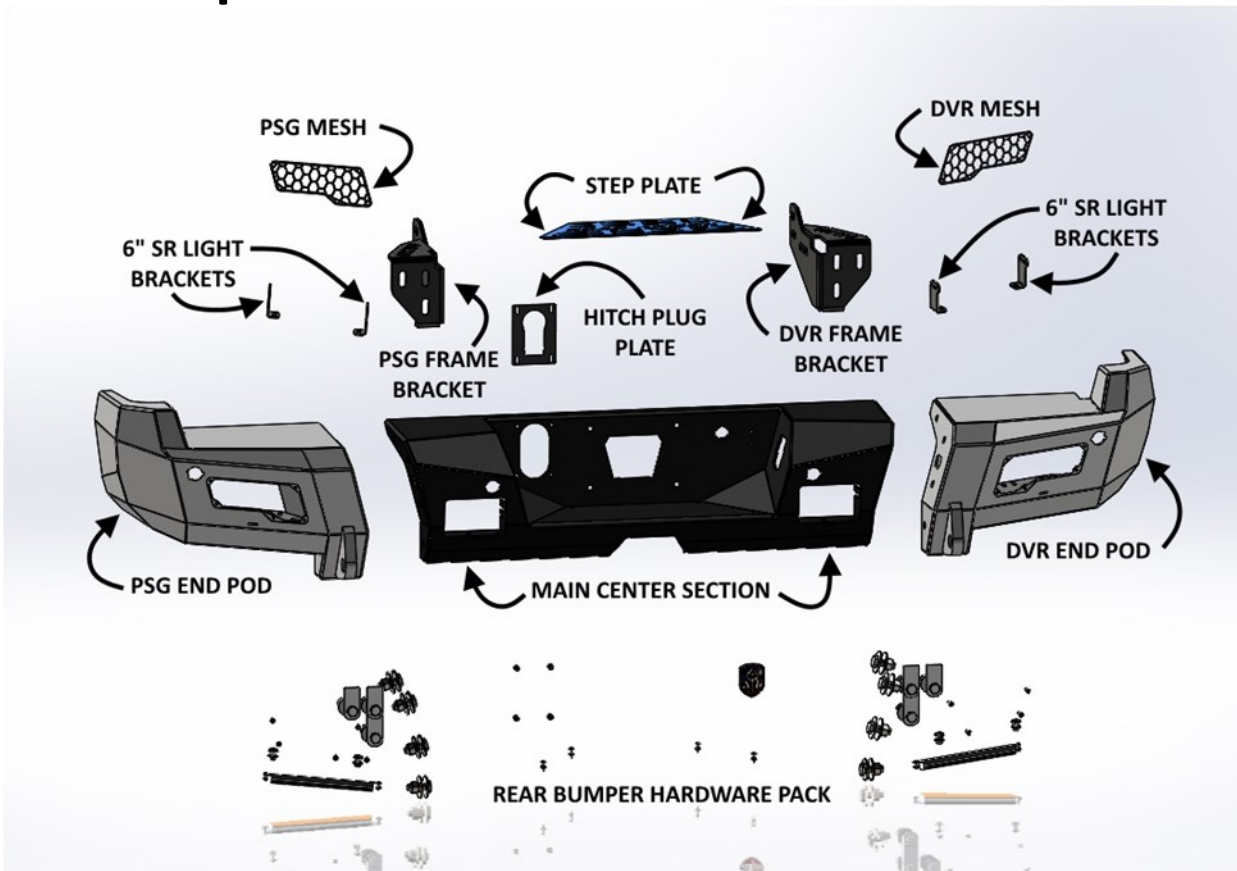
- 4 Remove bumper harness including all sensors and plugs. Note which sensor housing went where as these are keyed and will only fit one way. They will be reinstalled into new iD rear bumper.



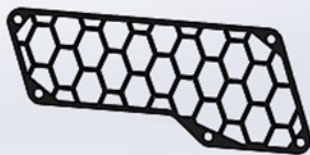
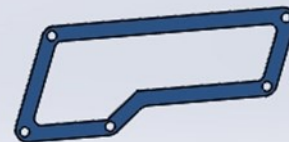
- 5 Free up the wiring harness by removing all of the clips.
- 6 Disconnect the wiring harness from the license plate lights and remove the lights.
- 7 Use a right angled pick tool to carefully pry the sensor grommet from the stock bumper.



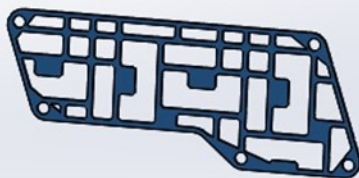
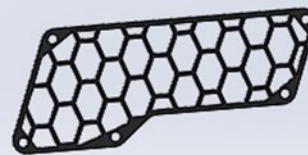
Kit Components Included:



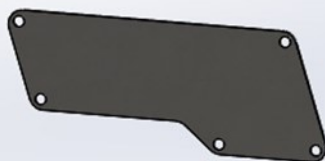
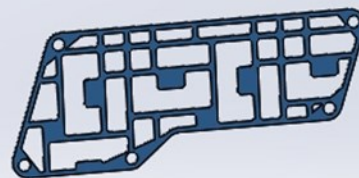
BEAUTY RING MESH KIT



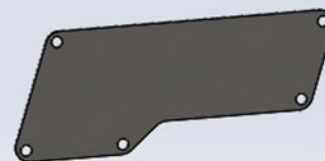
HYVE MESH KIT



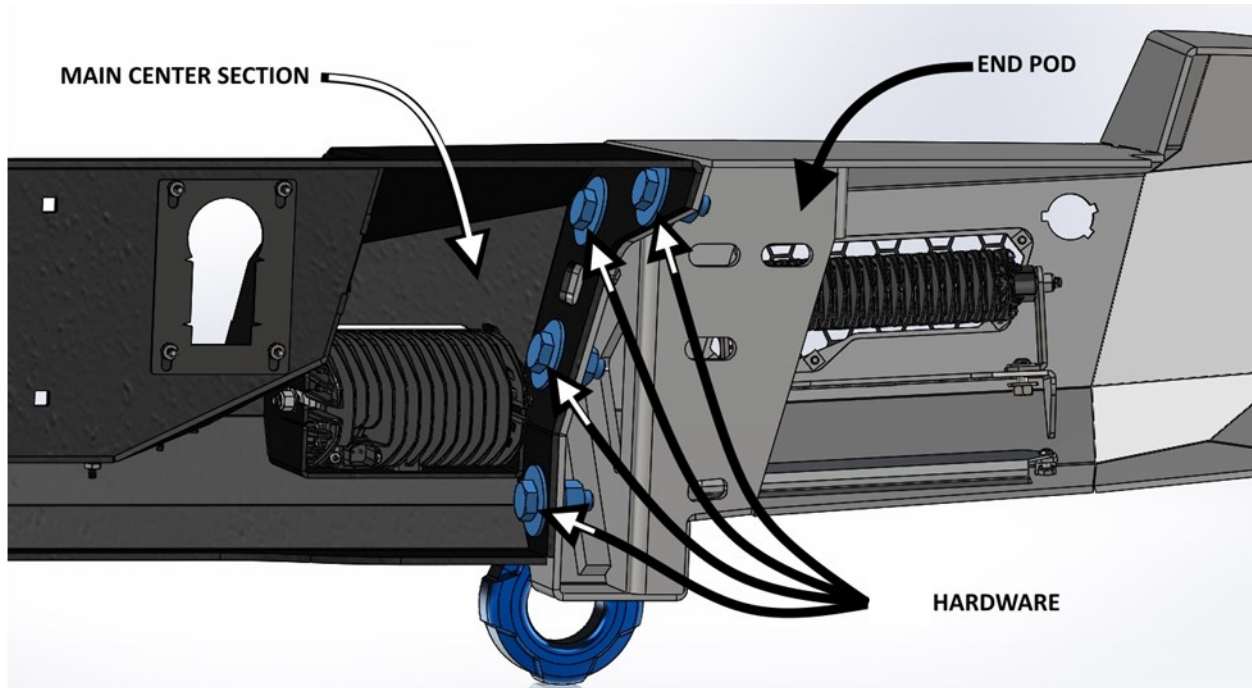
iD MESH KIT



BLOCK-OFF PLATE KIT

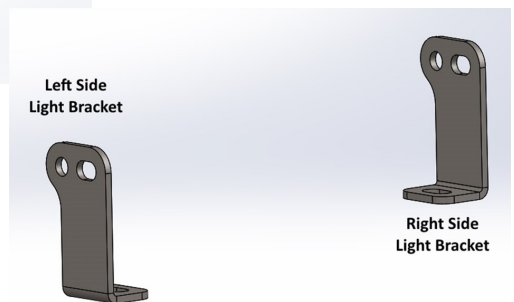
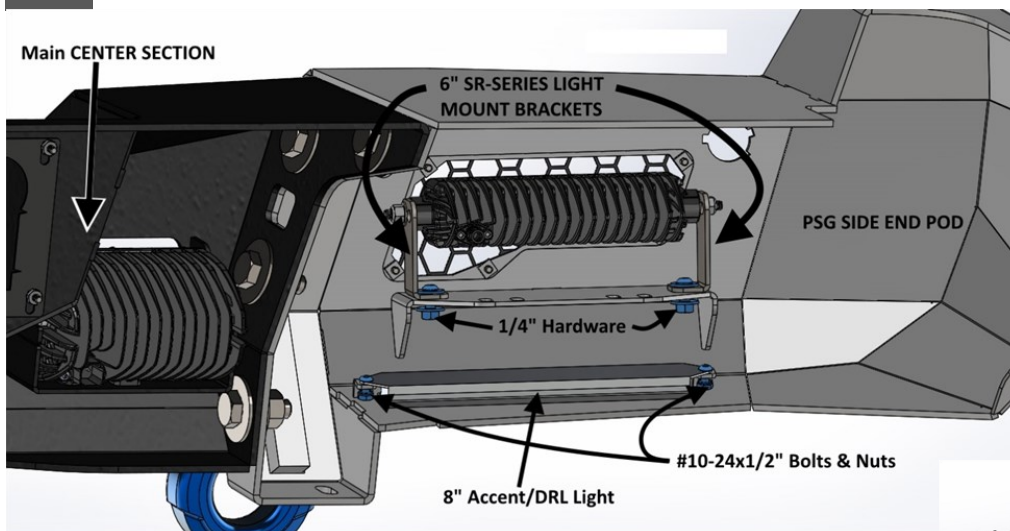


- 1 Assembly each Rear End Pods to Main Center Section using 4 – 7/16" x 1 1/2" Bolts, Nuts, Lock Washers & Washers.

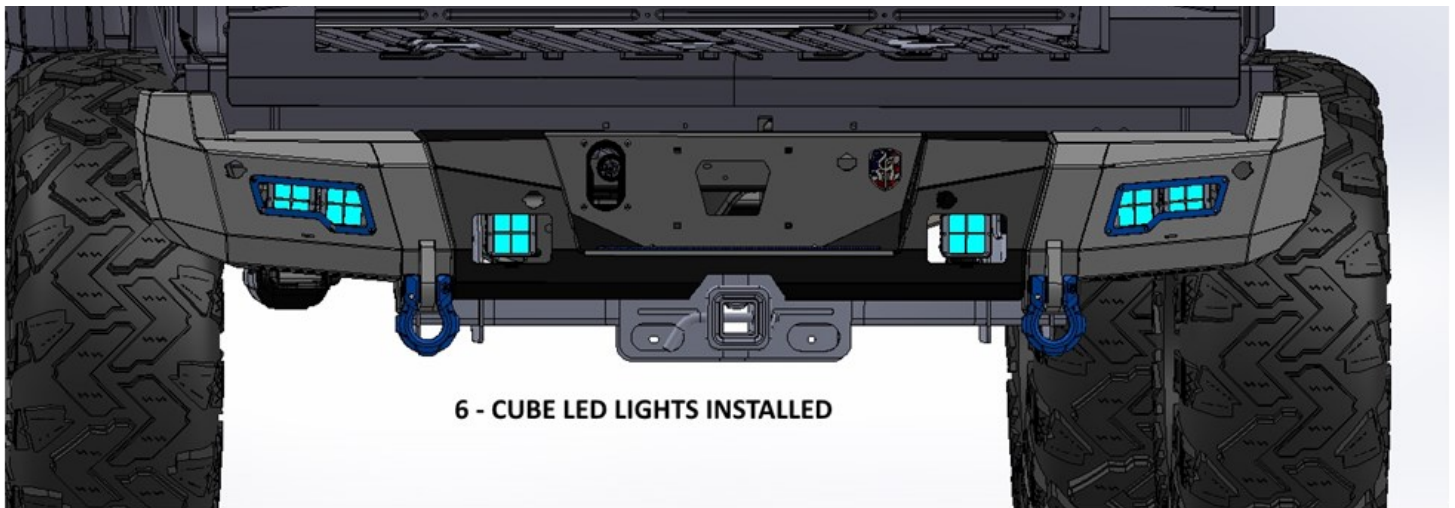
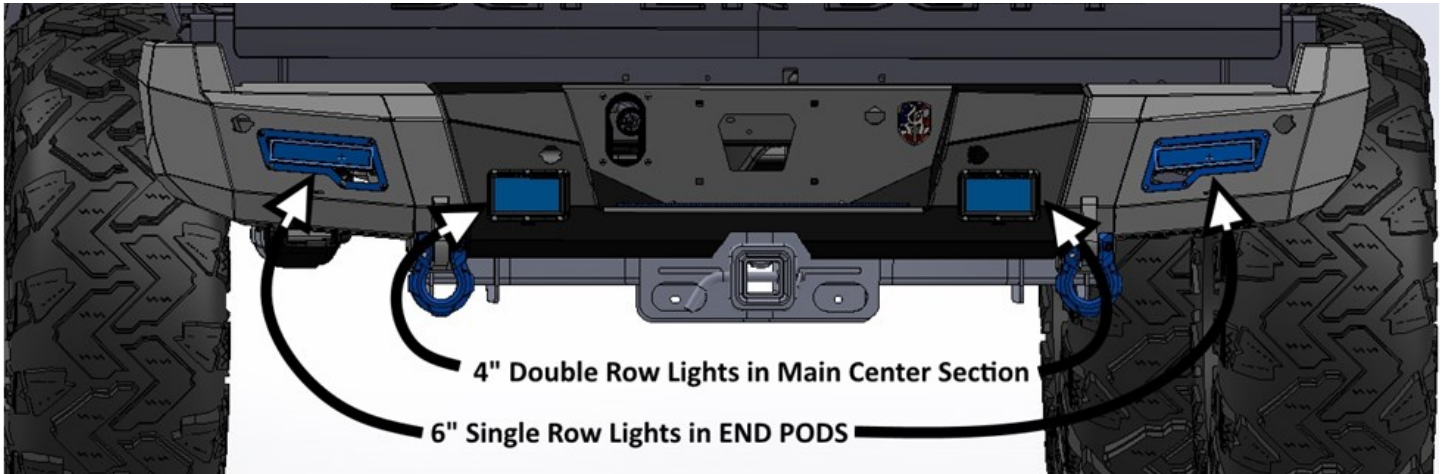


- 2 Install Kit 8" Accent Light into each Kit End Pod using 2 - #10-24 x 1/2" Bolts & Lock Nuts.

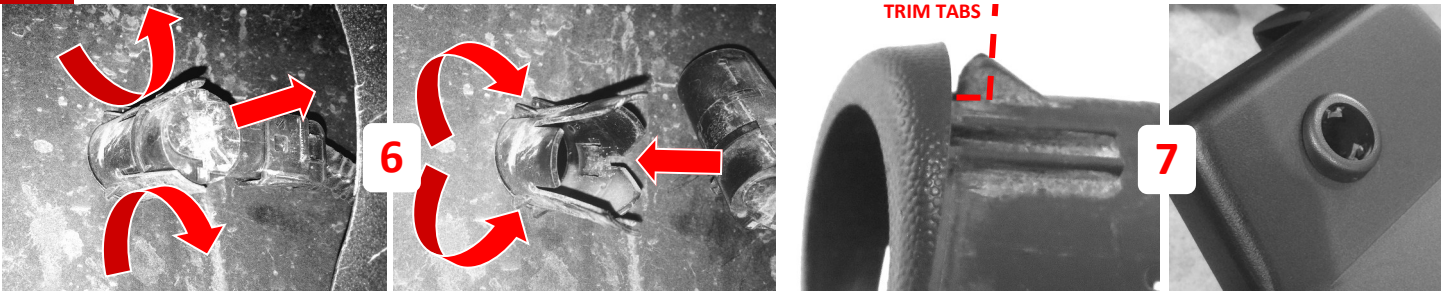
- 3 Install Kit 6" Light Bar Brackets onto Kit End Pod Bracket using 2 – 1/4" x 3/4" Hardware supplied.



4 Install lights into Main Center Section and End Pods as Shown Below:



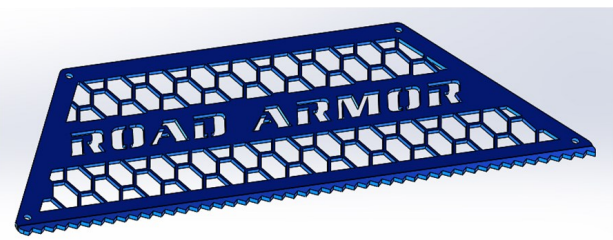
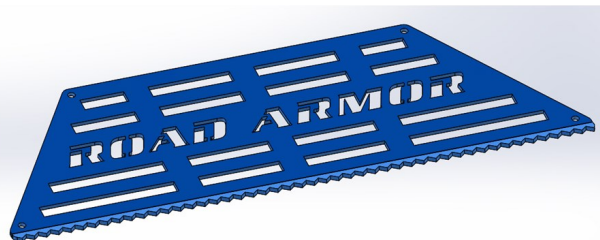
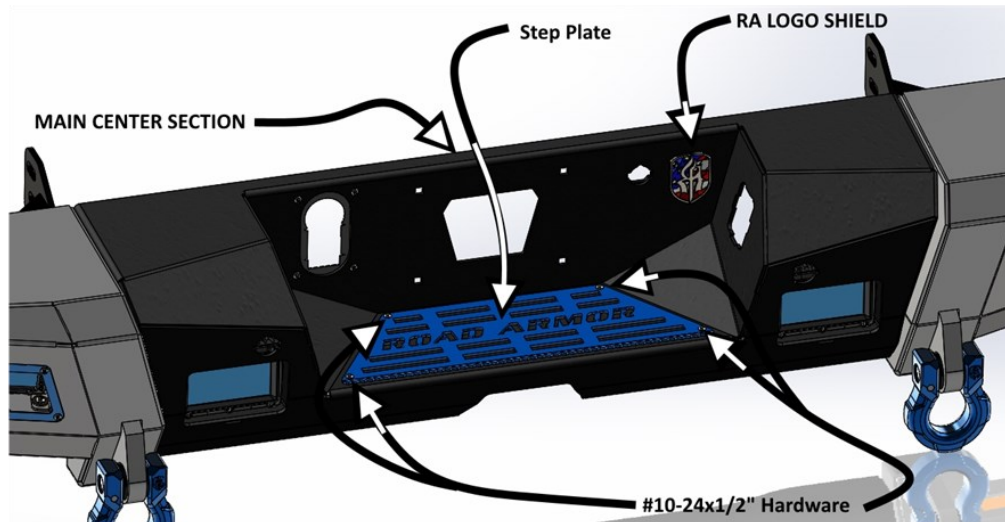
- 5** Due to the difference in material thickness from the OE bumper to the Road Armor bumper, it is also necessary to trim back the tabs that hold the housing in place. This may take a couple tries but once correct, the housing will fit snugly against the sheet metal. Install sensors after housing is fitted.



- 6** Install all sensors and rear license plate lights into ne iD rear bumper.

- 7** Install RA LOGO SHIELD onto Main Center Section.

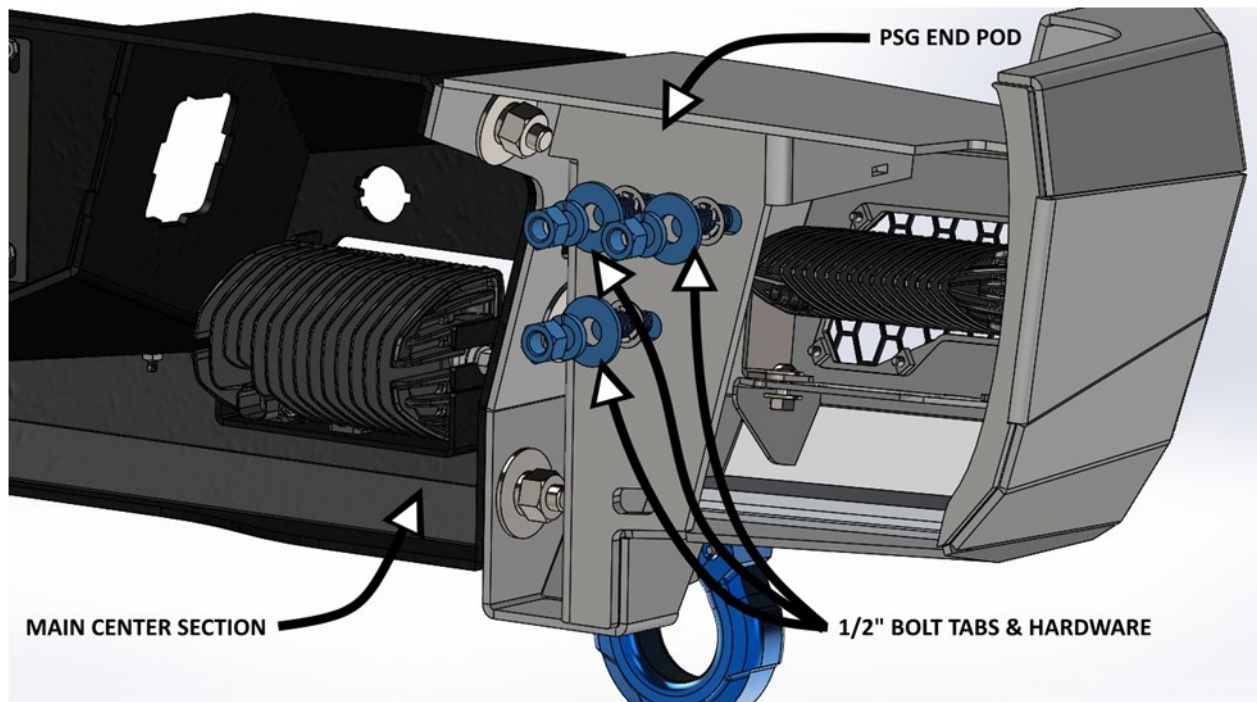
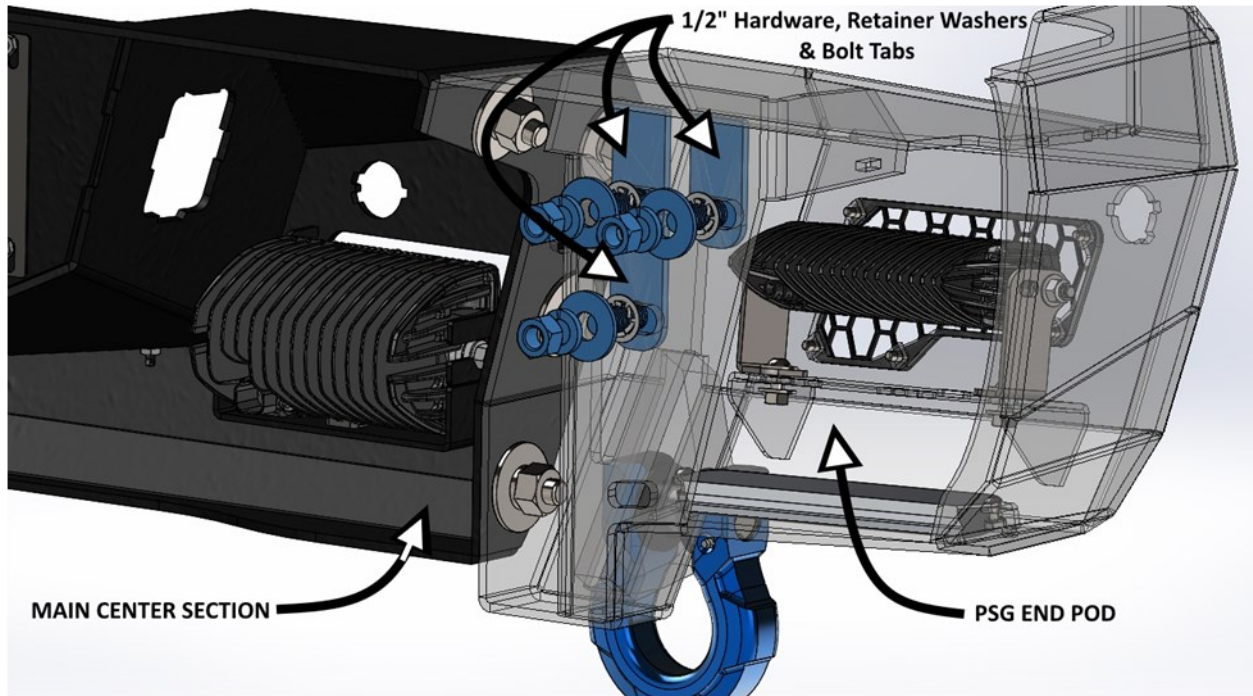
- 8** Install Kit Step Plate onto Main Center Section using 4 - #10-24x1/2" Bolts & Lock Nuts.



- 9 Install bumper brackets onto OEM frame using two OEM double bolt tabs, previously removed from frame and hitch. See image below:



10 Install 3 - 1/2" Bolt Tabs into each End Pod Bumper Bracket with 1/2" Retainer Washers.



11 Install Bumper assembly onto Kit Frame Brackets using Kit 1/2" Nuts, Lock Washers and Washers. (**Picture For Reference Only**)

