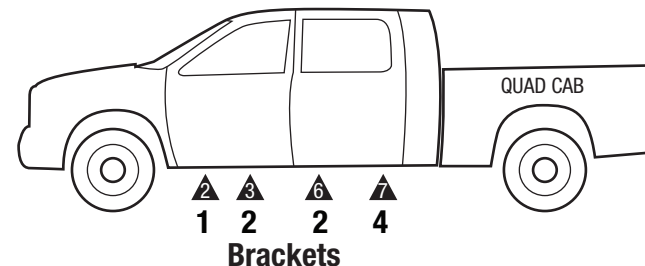


02-08 Dodge Ram 1500 Reg Cab, Quad Cab
03-09 Dodge Ram 2500/3500 Quad Cab

PARTS LIST

QTY	PARTS	QTY	PARTS	QTY	PARTS
8	3/8" Frame lock bolt	16	5/16" Flange Nut	4	Bracket #2 (2 notches)
8	3/8" Flange Nut	8	5/16" Carriage Bolt	2	Bracket #4 (4 notches)
8	5/16" x 1.25 Hex Bolt	8	Bracket Clip	8	Plastic Washers
8	5/16" Flat Washer	2	Bracket #1 (1 notch)		



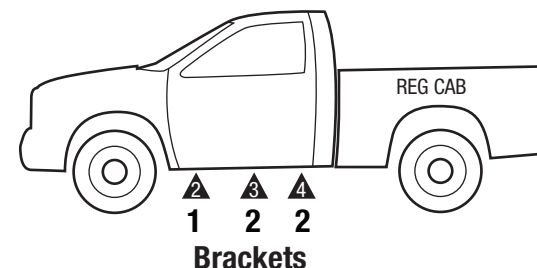
BRACKET INSTALLATION

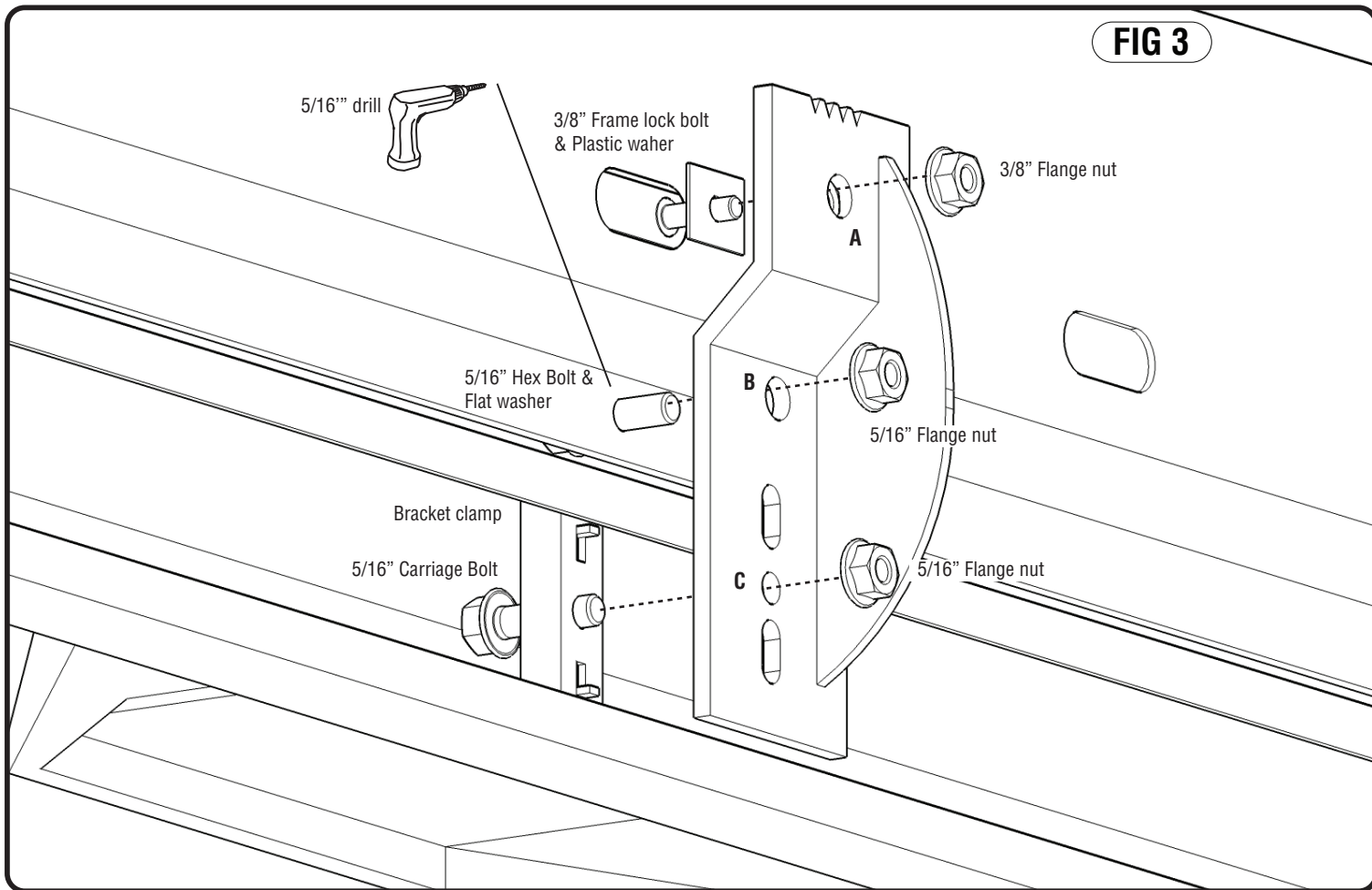
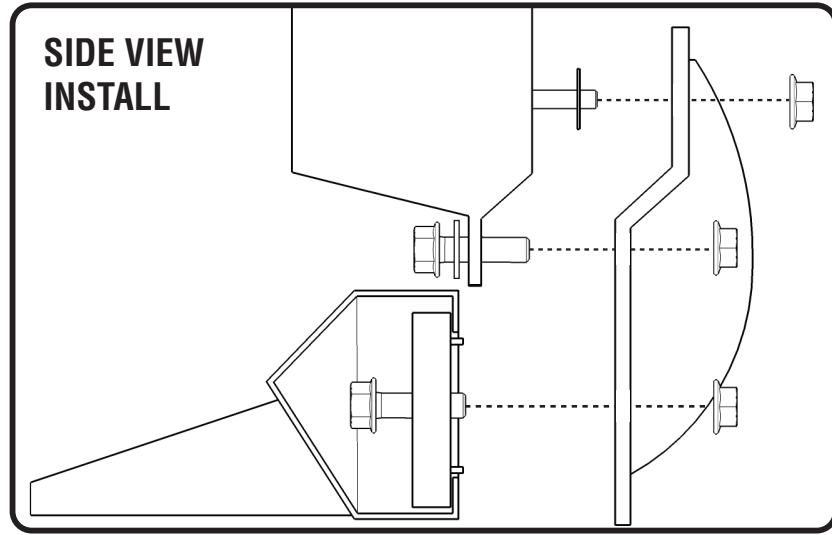
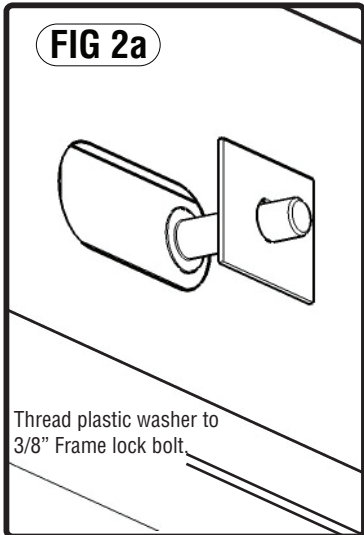
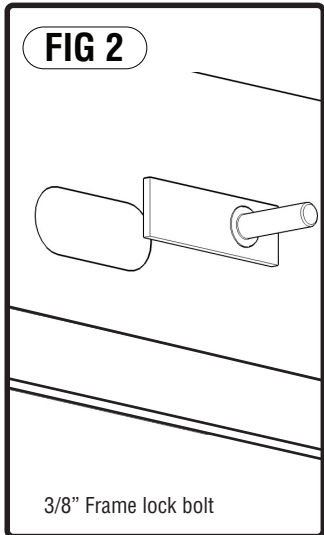
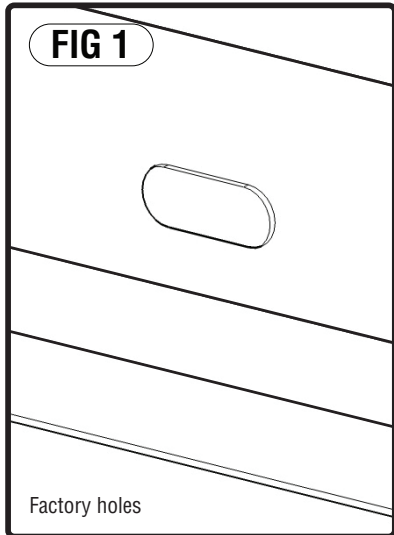
- 1) Remove contents from box and check for damaged parts. Verify all parts are present, making sure to read and understand instructions before install.
- 2) Locate (8) factory holes on inside body panel. Remove black tape covering holes 2,3,6, & 7 on Quad Cabs and holes 2, 3 & 4 on Reg Cabs. **Fig 1**
Install frame lock bolts into factory locations. **Fig 2** Thread square plastic washers on frame lock bolts to hold them in place. **Fig 2a**
- 3) QUAD CAB - Brackets that go in hole #2 will have (1) notch at the top of the bracket . Brackets that go in to holes #3 & #6 will have (2) notches at the top of the bracket. Bracket at hole #7 will have (4) notches at the top of the bracket. **Fig 3**

REG CAB - Brackets that go in hole #2 will have (1) notch at the top of the bracket . Brackets that go in to holes #3 & #4 will have (2) notches at the top.
- 4) Place brackets to thier specific locations on the frame lock bolts and fasten with 3/8" flange nut through hole "A". Hand tighten at this time . **Fig 3**
- 5) Push brackets firmly to inside body panel and mark the center of holes "B" to pinchweld with marker or paint pen.
- 6) Remove brackets from frame lock bolts to prepare pinchweld for drilling.
- 7) Drill a 3/8" hole into the points you have marked along the pinchweld.
- 8) Place brackets back to thier specific locations on the frame lock bolts and fasten with 3/8" flange nut and tighten. Place 5/6" hex bolt and flat washer through pinchweld and hole "B" of bracket and fasten with 5/16" flange nut and tighten. **Fig 3**
- 9) Repeat process for all brackets on passenger side.



***REQUIRES DRILLING**





HD STEP INSTALL

1. Install 5/16" hardware and "bracket clamp" to each bracket through hole "C". Having a second person or jack stands will be helpful on install.
2. CAREFULLY place HD STEP over bracket clamps and align so that clamp tabs are in between step channel. Begin to hand tighten 5/16" flange nuts while making sure bracket clamp tabs are aligning to the bracket holes.
3. Once you have all clamps hand tightened to brackets, this should allow the HD STEP to slide forward and back to allow for final alignment to vehicle.
4. Once satisfied with alignment, tighten all 5/16" flange nuts for final install.

HD STEP should be installed center of cab.

