

# INSTALL INSTRUCTIONS

## Identity Front Bumper

Product : 6172DF

Application : 2017 + Ford Super Duty

**\*\*NOTE: 2020+ Super Duty with Adaptive Cruise**

**will Require 620ACM Adapter Kit\*\***

## I WARNING

**Read the instructions completely before beginning installation. Before tightening bolts, drilling or cutting where required, check to make sure there are no obstructions such as brake, fuel or electrical lines which may be damaged. Also keep in mind this is an after-market product and MAY require minor shimming and/or trimming, reaming, etc. for proper fit. Road Armor is not responsible for any damages to vehicle.**

## i IMPORTANT NOTICE

- **Be sure to inspect and test fit your product to ensure proper fitment before having it coated, painted, bed lined, etc.**
- **Road Armor will not be responsible for the cost of coating your unit if any problems with fit or finish are not noted and addressed beforehand.**

### SAFETY FIRST!

- FOLLOW ALL INSTRUCTIONS, YOUR SAFETY AND THE SAFETY OF OTHERS IS MOST IMPORTANT.
- WEAR APPROPRIATE EYE PROTECTION AND EXERCISE CAUTION WHEN DRILLING / CUTTING

### REQUIRED TOOLS

SAE & METRIC Socket set and wrenches  
 Screw drivers, pry tool, pick tool, pliers

### RECOMMENDED TOOLS

Adjustable Table Cart / Table/Pallet Lift or Hoist  
 Impact driver

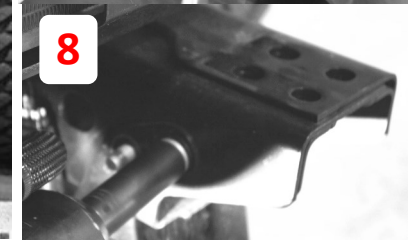
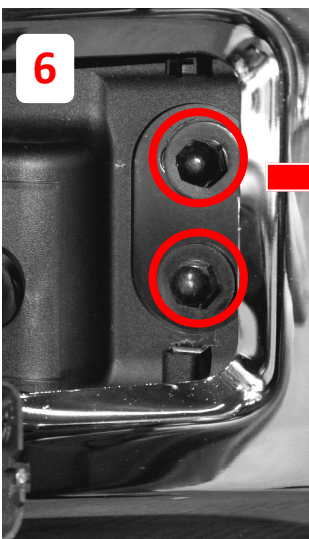
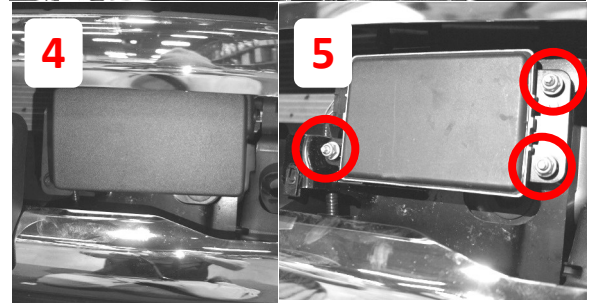
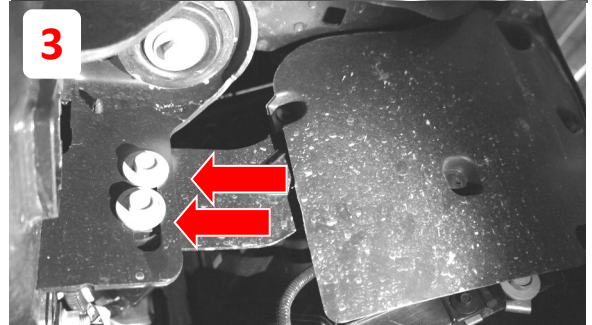
### KIT COMPONENT LIST

- 1 Main Center Section
- 1 Driver Pod
- 1 Passenger Pod
- 1 Driver Light Pod
- 1 Passage Light Pod
- 1 Passenger Side Lower Light Bracket
- 1 Driver Side Lower Light Bracket
- 2 Carriage Bolt Plates
- 1 Main Driver Light Bracket
- 1 Main Passenger Light Bracket
- 1 Passenger Frame Bracket
- 1 Driver Frame Bracket
- 1 Logo Back Plate
- 1 Center Main Mesh
- 1 Driver Pod Mesh
- 1 Passenger Pod Mesh

### INCLUDED HARDWARE

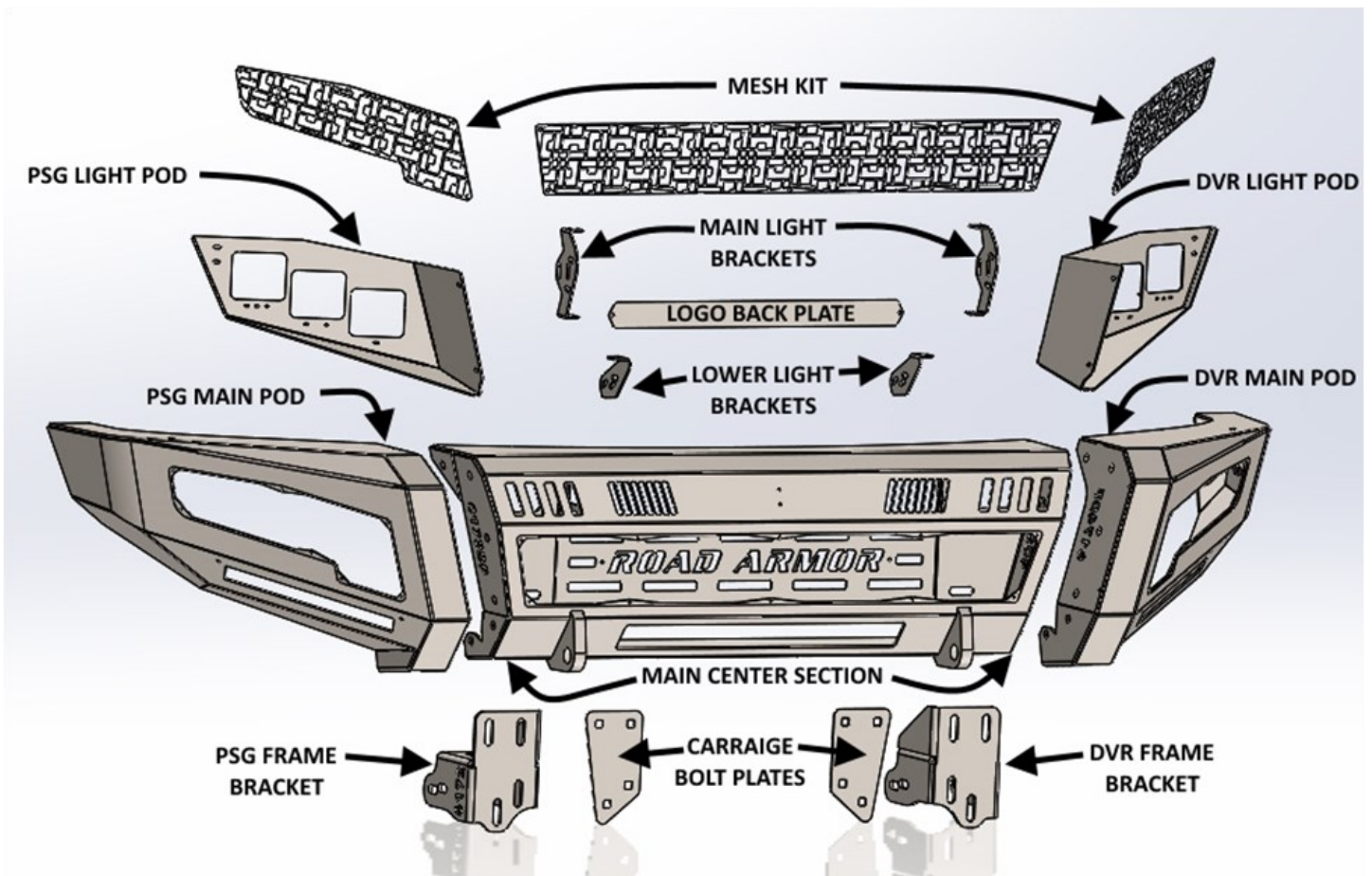
- 40 1/12"-13 x 1-1/2" Grade 5 Round Carriage Bolt
- 16 #10-24 Zinc Finish Steel with External Tooth Lockwasher K-Lock Nut
- 24 1/2" x 1.375" OD Thru-Hardened Yellow Zinc Finish Steel USS General Purpose Flat
- 16 1/2" Yellow Zinc Finish High Alloy Medium Split Lock Washer
- 16 1/2"-13 Yellow Zinc Finish Grade 8 Finished Hex Nut
- 8 1/2"-13 x 1-1/2" SAE J429 Grade 5 Round Head Zinc Finish Partial Thread Carriage
- 8 1/2" Bolt 15/16" O.D. Zinc Pushnut Bolt Retainer
- 8 1/2"-13 x 1-1/2" Grade 8 Yellow Zinc Finish Hex Cap Screw
- 12 7/16"-14 x 1-1/2" Grade 5 Zinc Finish Hex Cap Screw
- 24 7/16" x 1.250" OD Thru-Hardened Yellow Zinc Finish Steel USS General Purpose Flat
- 12 7/16"-14 Zinc Finish Grade 5 Finished Hex Nut
- 12 7/16" Yellow Zinc Finish High Alloy Medium Split Lock Washer
- 6 5/16"-18 x 3/4" Zinc Finish SAE J429 Grade 5 Short Square Neck Round Head Carriage
- 6 5/16"-18 Zinc Finish Grade A Finished Hex Nut
- 6 5/16" x 0.875" OD Low Carbon Zinc Finish Steel USS General Purpose Flat Washer
- 10 1/4" x 0.734" OD Low Carbon Zinc Finish Steel USS General Purpose Flat Washer
- 5 1/4"-20 Zinc Finish Grade A Finished Hex Nut
- 5 1/4"-20 x 1" Grade 5 Zinc Finish Hex Cap Screw
- 1 RA-SHIELD-RWB REV01
- 2 Quake LED 12" Accent Light & MODULE

- 1 Disconnect bumper harness & block warmer (if equipped) . These plugs are located behind the bumper near the frame on the Passenger side.
  - 2 Remove plastic trim around tow hooks to reveal bolts on both Driver and Passenger sides.
  - 3 Remove inner bumper support bolts. This is a truss like support bracket located near the first body mount behind the bumper.
  - 4 Remove plastic cover over adaptive cruise control module (if equipped)
  - 5 Unbolt, unplug and carefully set aside the Adaptive Cruise Control Module (if equipped).
- \*\*NOTE: 2020+ Super Duty with Adaptive Cruise will Require 620ACM Adapter Kit\*\***
- 6 Remove 4 bolts each side of tow hooks and pull off factory bumper.
  - 7 Remove tow hooks both sides
  - 8 Remove under-run guards.

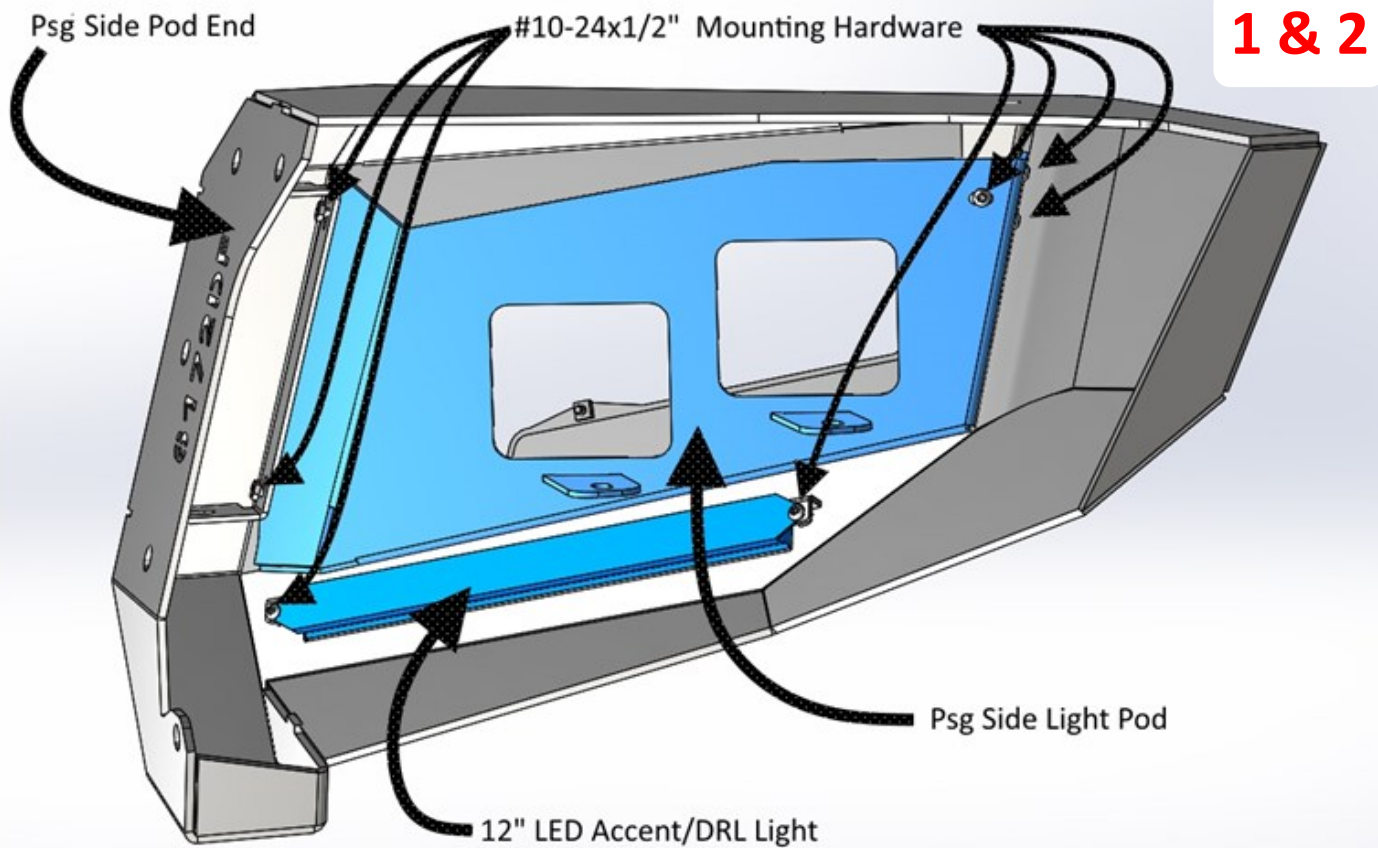




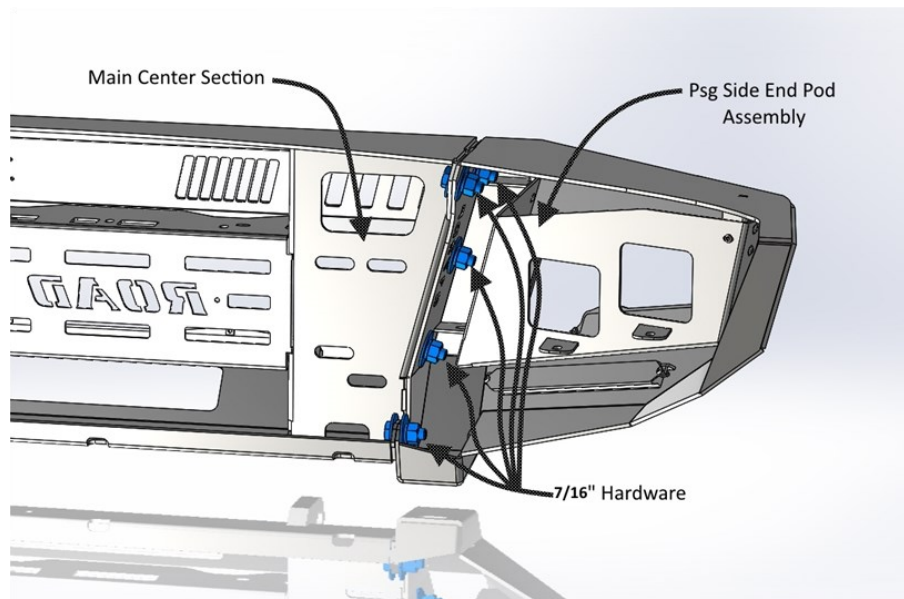
# Kit Components Included:



- 1** Assemble light pod into pod end using Qty: 5 - #10-24x1/2" kit bolt and lock nut in each pod
- 2** Install both kit 12" Accent/DRL lights into pods using Qty: 2 -#10-24x1/2" kit bolt and lock nut in each pod.



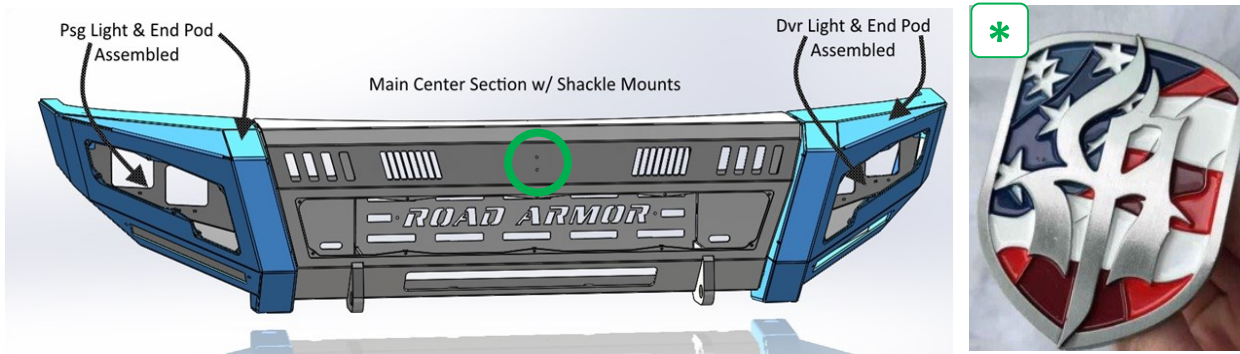
- 3** Align and install each kit pod end using Qty: 6 - 7/16"x 1 1/2" bolts, nuts, lock washers and washers.





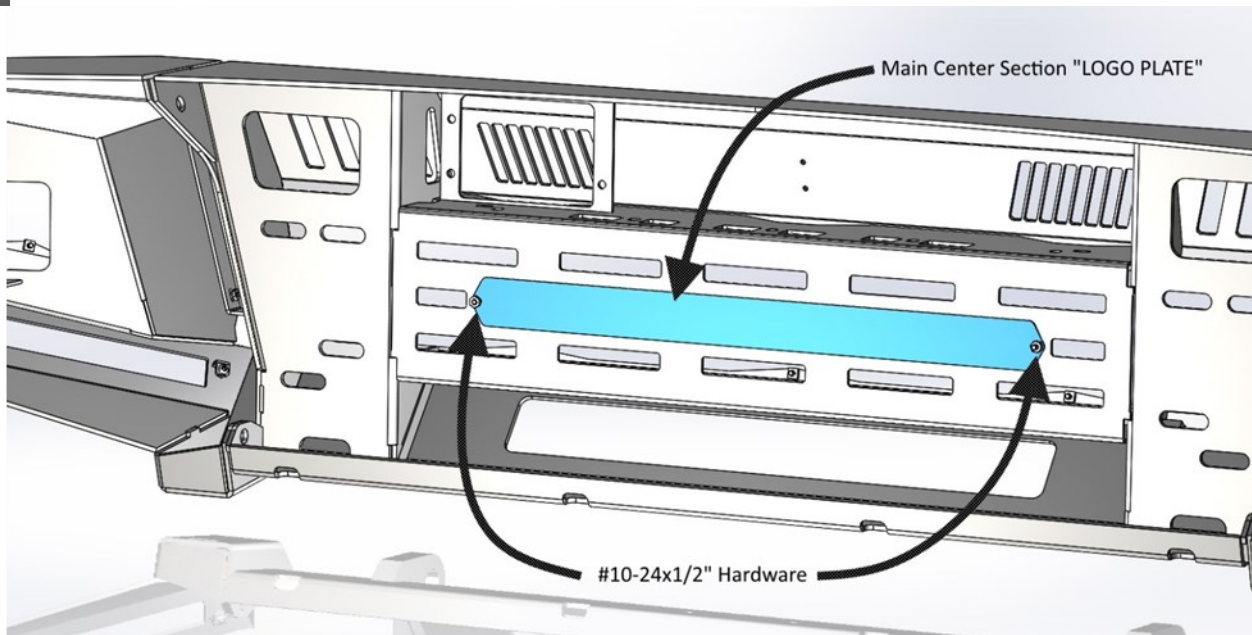
**3**

**\*Install the RA Logo Plate Shield Now\***



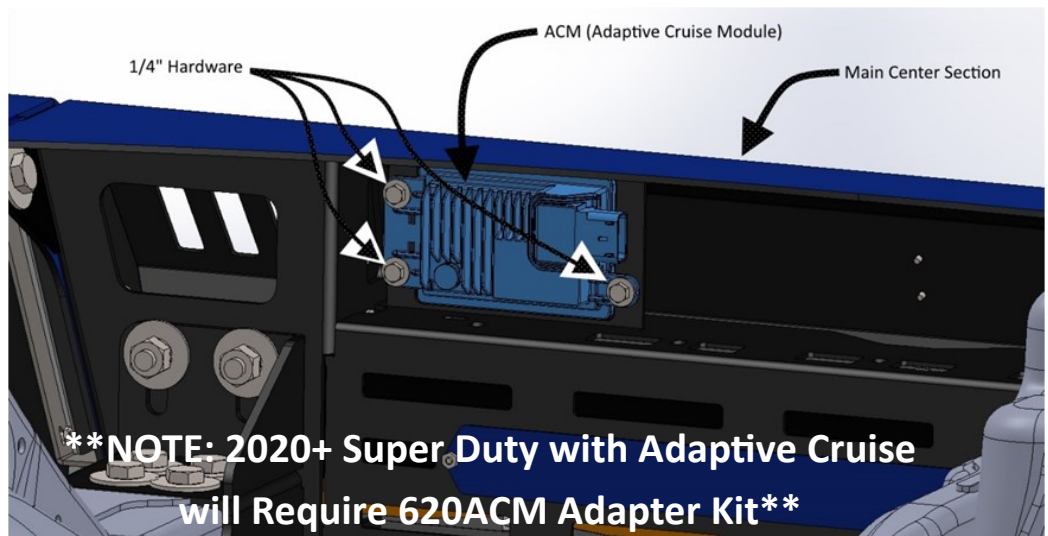
**4**

**Install Kit Main Center Section "Logo Plate" using Qty: 2 - #10-24x 1/2" Bolts & Lock Nut.**



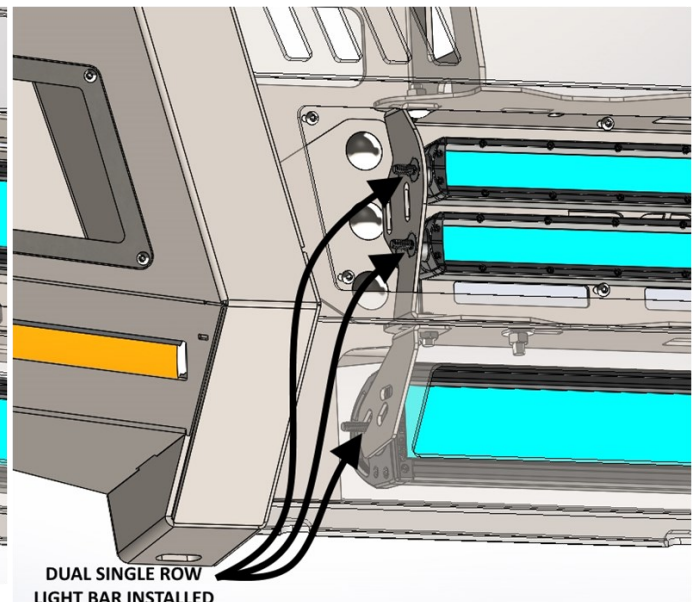
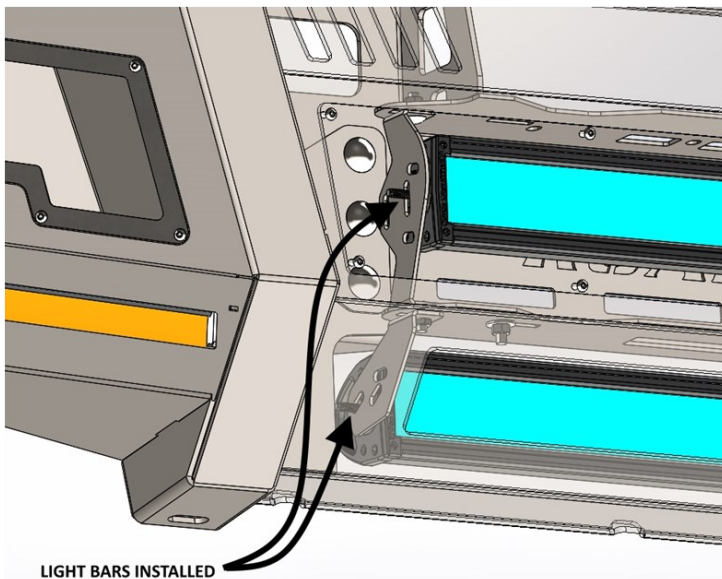
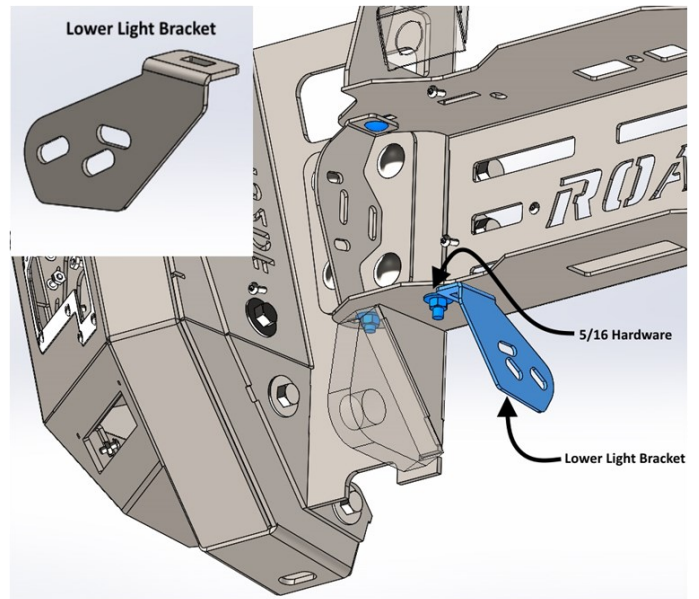
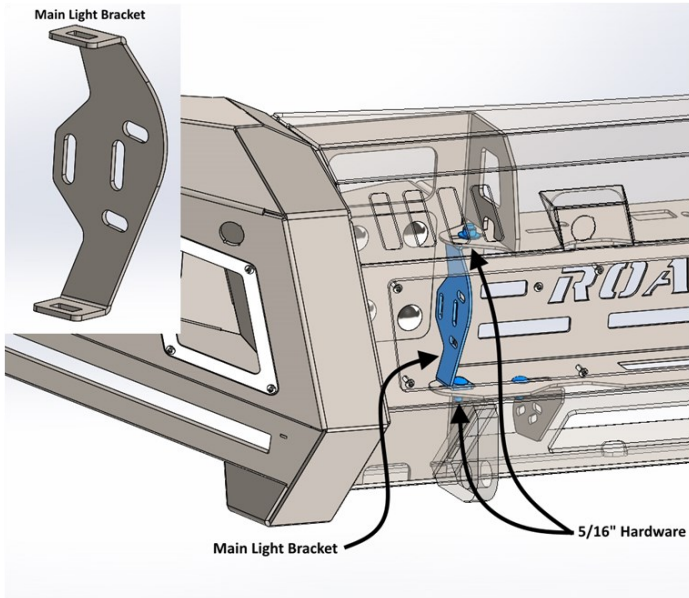
**\*\*ADDITIONAL STEP FOR ACM MODULE INSTALL\*\***

**\* Note: When equipped use kit provided Qty: 3 – 1/4" x 1" Bolts, Nuts & Washers to secure FACTORY ACM Unit to kit Center Section as shown Below:**



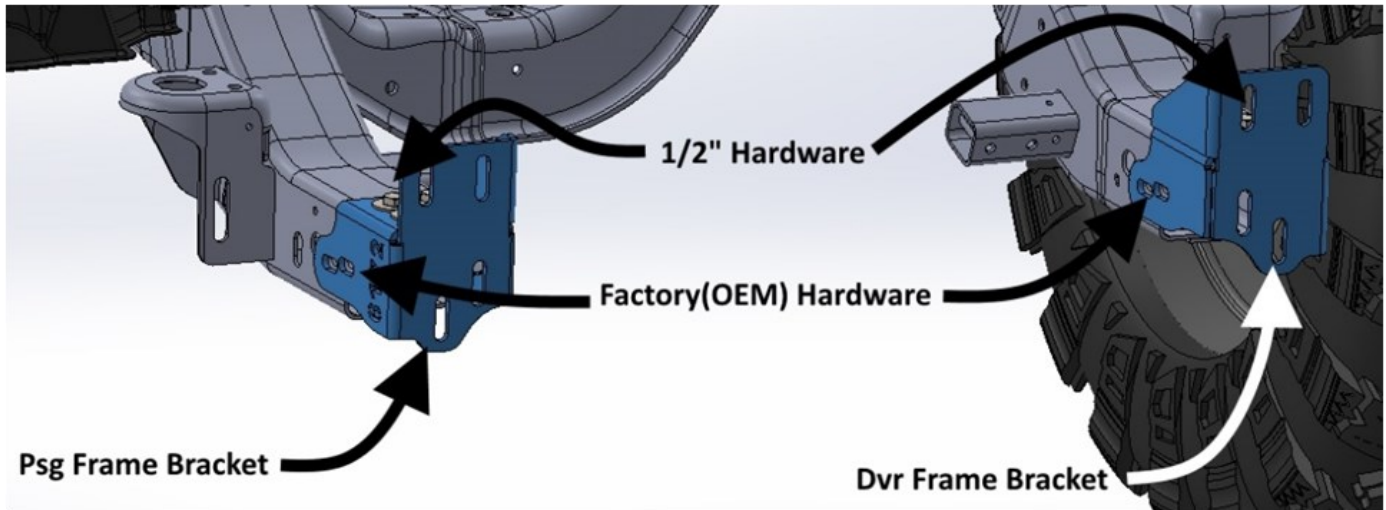
**\*\*NOTE: 2020+ Super Duty with Adaptive Cruise will Require 620ACM Adapter Kit\*\***

**5** Install all lights and lighting brackets into kit main center section using kit brackets and 5/16" carriage bolt hardware provided as shown below (Check Configurations at End of Instructions):

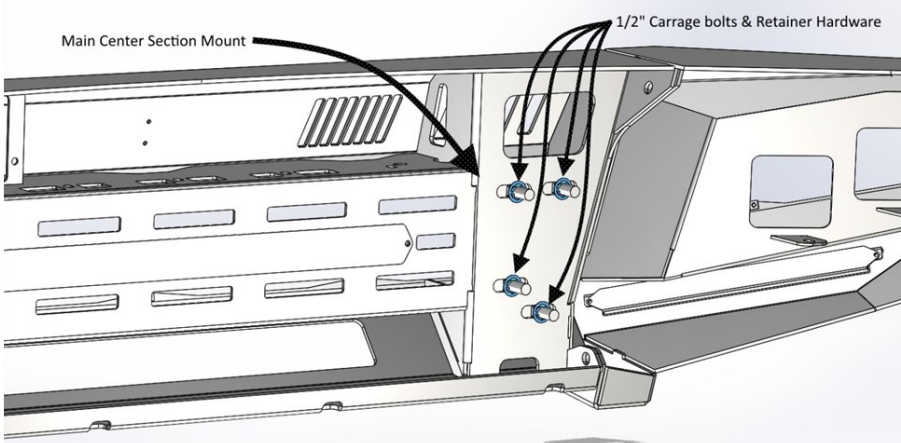
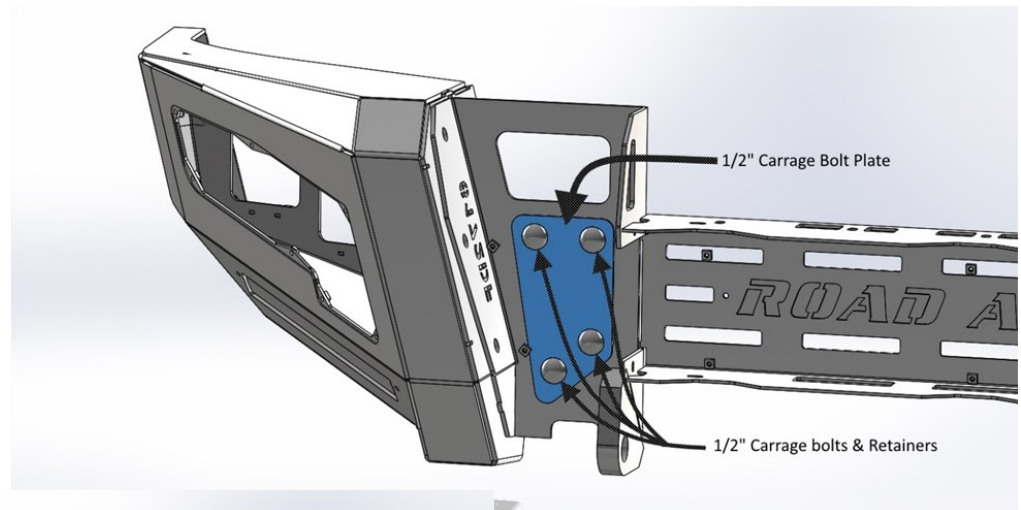




- 6** Loosely install kit frame brackets using Qty: 4 – **FACTORY (OEM) Bolts and Flange Nuts** through the sides of each frame bracket. Continue by using Qty: 4 – **½" x 1 ½" Bolts, Nuts, Lock Washers and Washers**.

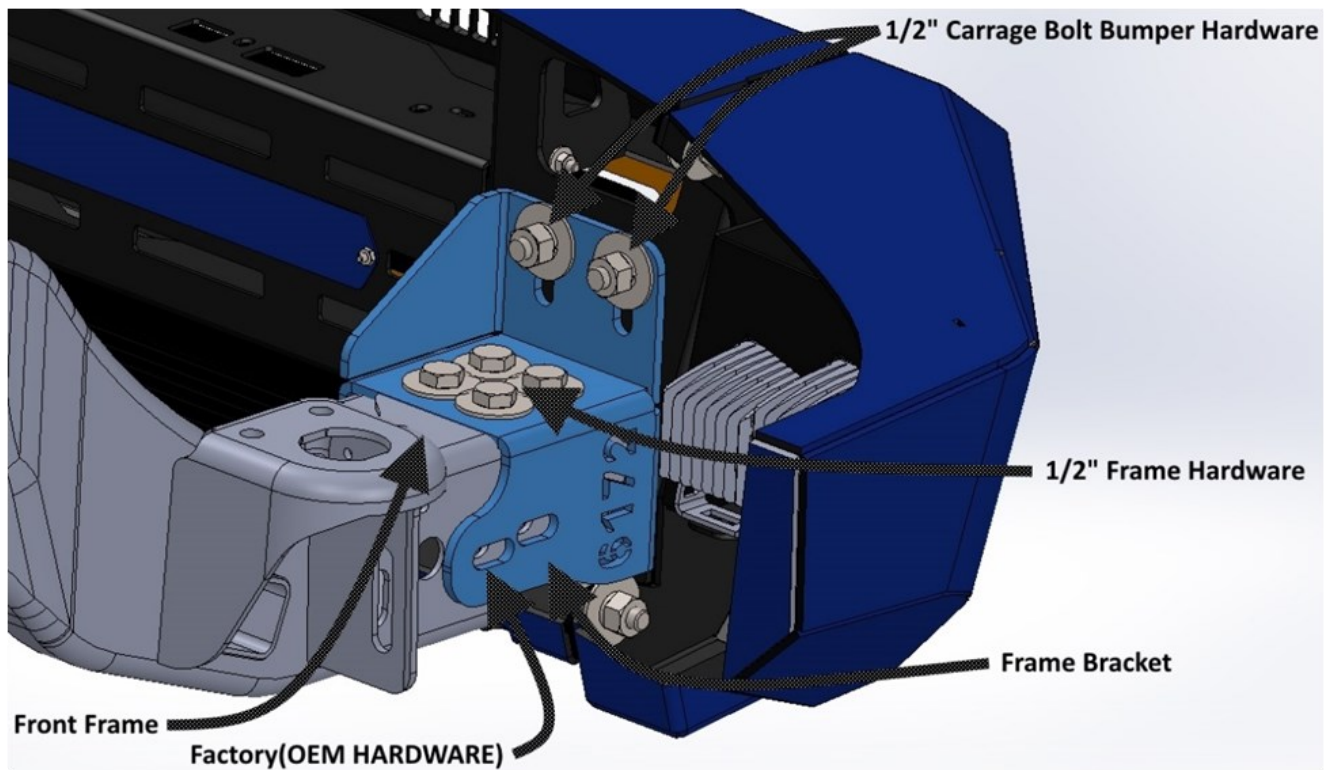


- 7** Install kit carriage bolt plate through front side of bumper using kit Qty: 4 – **½" Bolt & retainer washer** on back side of bumper to secure each plate.





- 8** Install bumper assembly using kit Qty: 4 – 1/2" Nuts, Lock Washers and Washers at each frame end. Align bumper and be sure to leave approximately 3/8" gap between headlamp and bumper. (Doing so will prevent damage to headlamp and bumper.) Once aligned, Tighten all remaining frame and bumper hardware.



## Center Configurations Shown Below:

### Built in Light Mount Feature Options



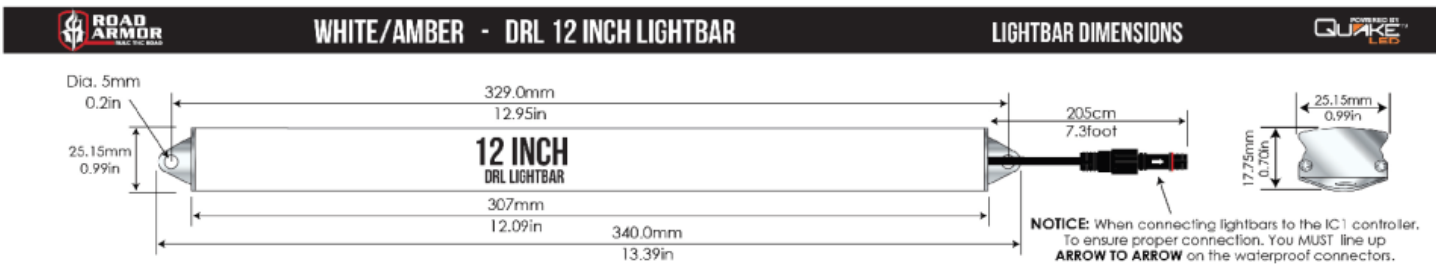
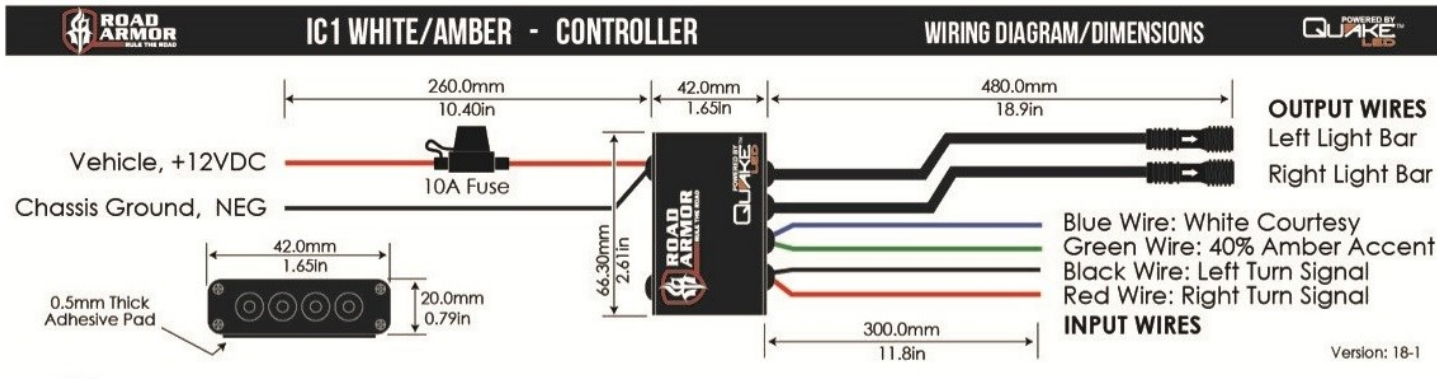


## Built in Light Mount Feature Options



## Optional Kit # 2DFCM9





**KIT 4" ROUND LIGHT PODs AVAILABLE!**

Optional Kit: # 2DFRP2 Dual Std. Pod 4" Round Lights

Optional Kit: # 4DFRP3 Triple Pod 4" Round Lights

**KIT 10" SINGLE ROW LIGHT PODs AVAILABLE!**

Optional Kit: # 2DFSP1 Dual Std. Pod 10" SR Lights

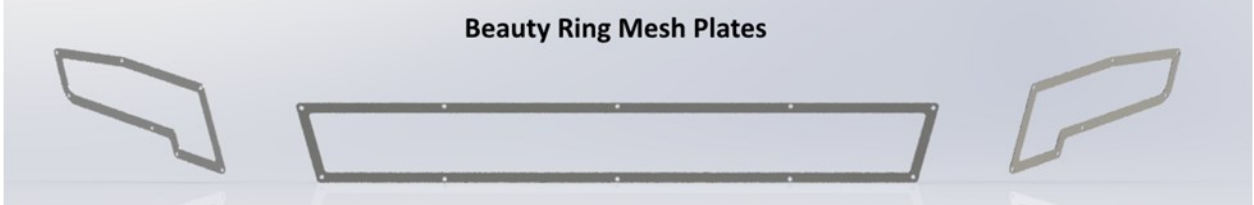
Optional Kit: # 4DFSP1 Triple Wide Pod 10" SR Lights



## MESH KITS SHOWN BELOW:

### Kit # 2DFMR

Beauty Ring Mesh Plates



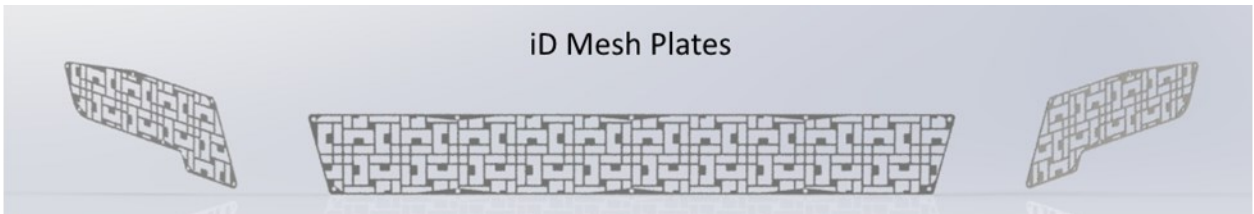
### Kit # 2DFMH

HVYE MESH PLATES



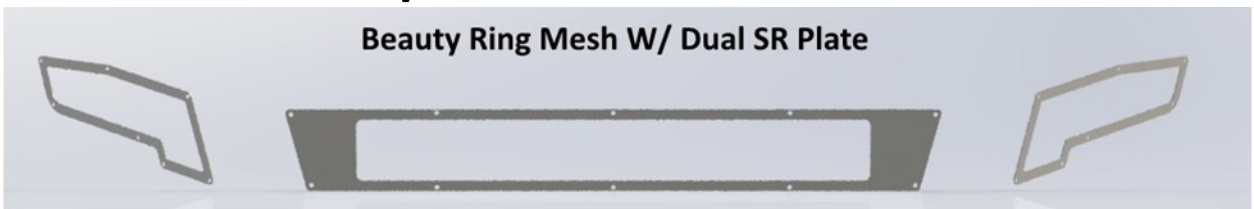
### Kit # 2DFMD

iD Mesh Plates



### Optional Kit # 2DFSC

Beauty Ring Mesh W/ Dual SR Plate



### Optional Kit # 2DFDC

Beauty Ring Mesh W/ Dual Row Light Plate

