

PARTS LIST

QTY	PARTS	QTY	PARTS
2	Front brackets (Driver & Passenger)	8	3/8" Serrated Flange Bolts
2	Middle Brackets (Driver & Passenger)	16	3/8" Serrated Flange Nuts
2	Rear Brackets (Driver & Passenger)	4	3/8" Single Rail Tab
6	3/8" Double Frame Lock Bolts	2	3/8" Double Rail tab
4	3/8" Single Frame Lock Bolts	10	Square Plastic Washers

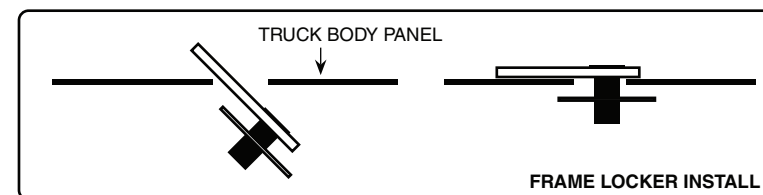
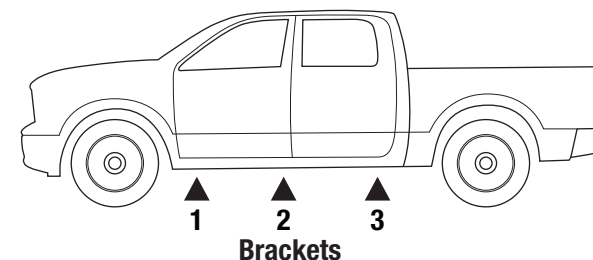
This installation sheet is for brackets with tube & rail system. Drop steps purchased separately.

BRACKET INSTALLATION

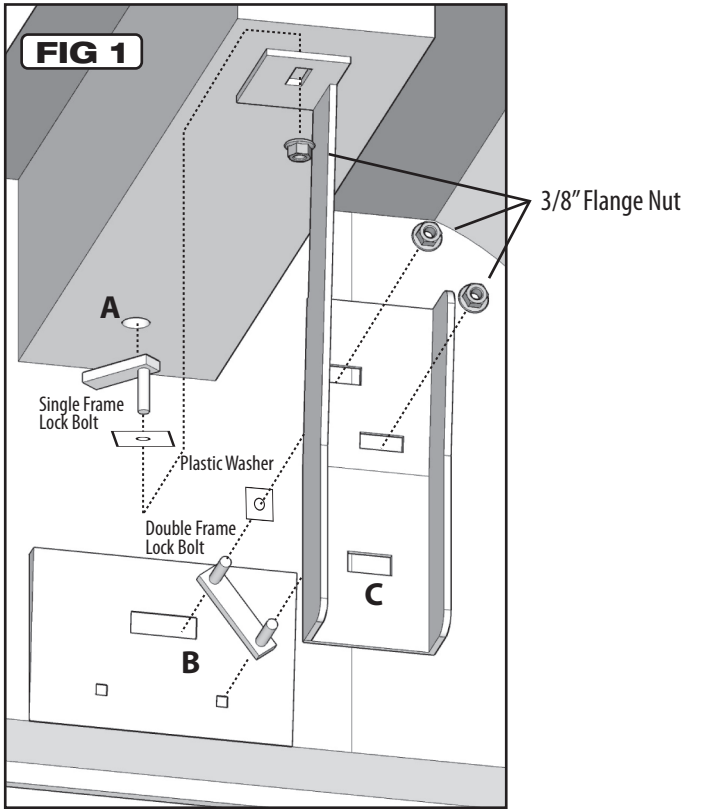
- 1) Remove contents from box and check for damaged parts. Verify all parts are present, making sure to read and understand instructions before install.
- 2) Locate (3) mounting points on body panel. Remove black tape covering holes. Install frame lock bolts into factory locations. Thread square plastic washers on frame lock bolts to hold them in place. Holes "A" & "B"
- 3) Place brackets to their specific locations as shown in illustration on the frame lock bolts and fasten with 3/8" flange nuts. **FIG 1, 2 & 3**
- 4) Repeat process for all brackets on passenger side.

TUBE AND RAIL INSTALLATION

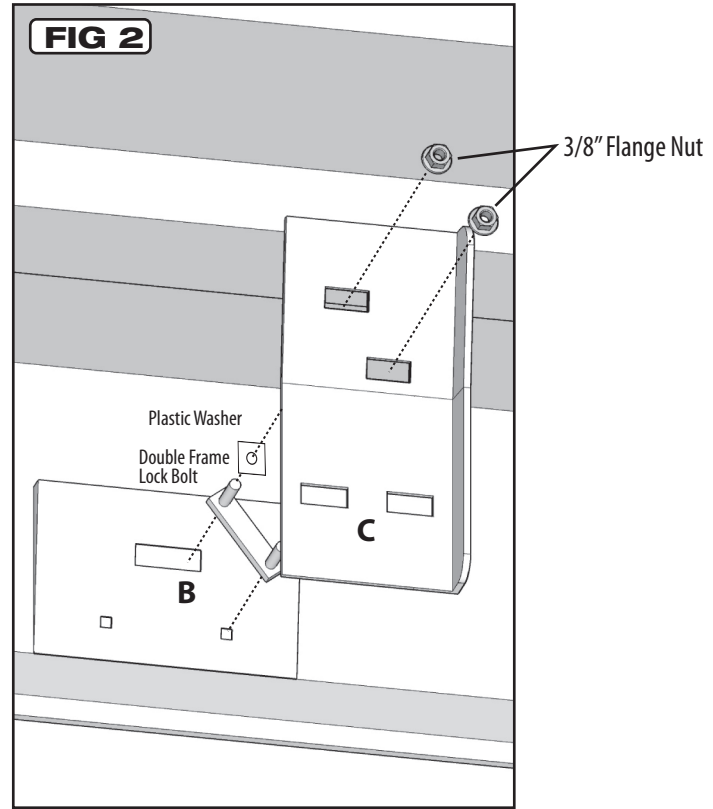
- 1) Thread 3/8" rail-tabs onto 3/8" flange bolt on the front and rear brackets through hole "C". Spin rail-tab on to bolt a few turns to leave loose for rail install.
- 2) Tube will come attached to rail out of box. Slide rail onto rear bracket by placing rail channel onto rail-tab. Slide rail towards rear of truck and then slide onto the tab of front bracket. **FIG 4**
- 3) Place double rail-tab into channel and slide behind middle bracket. While holding one side of rail-tab with finger, thread 3/8" flange bolts through bracket holes "C" into rail-tab.
- 4) Adjust tube and rail along truck. We recommend that rail be placed 2" behind front wheel well or mud flap. Once in position, Push "UP" on rail and tighten 3/8" flange bolts. Pushing up will ensure a only a small gap between pinchweld and rail.



DRIVER REAR BRACKET



DRIVER MIDDLE BRACKET



DRIVER FRONT BRACKET

