



# WARN Industrial Hoist

**Model**

**HY2000**

**Part Number**

**68032**

**Motor Type**

Hydraulic  
2.75 ci  
(45 cc)

The HY2000 hoist combines a powerful and efficient hydraulic motor with robust sealing and our proven 2-stage all metal geartrain. Permanent grease lubrication means years of trouble free service. All WARN hoists incorporate an automatic mechanical brake that holds full rated load. The durable powder coated finish stands up to the elements and looks great. The HY2000 hoist is built on a compact midsize frame with integrated tie bars that's easy to install.



### Accessories

Description:	Part Number
Wire Rope Assy-1/4" x 60ft	71297
Wire Rope Assy-1/4" x 50ft	24891
Wire Rope Assy-1/4" x 40ft	24890
Wire Rope Assy-1/4" x 25ft	24889

### Engineering Data

Rated Capacity:	2000 lbf	907 kgf
Drum Barrel Diameter:	4.25 in	108 mm
Drum Flange Diameter:	6.25 in	159 mm
Distance Between Flanges:	4.5 in	114 mm
Recommended Maximum Wire Rope Diameter:	1/4 in	6.4 mm
Recommended Minimum Wire Rope Breaking Strength:	7000 lbf	3175 kgf
Approximate Shipping Weight:	40 lb	18.1 kg
Duty Cycle (intermittent per SAE J706 section 6.2):	N/A ft	N/A m
Mounting Bolt Torque:	32 - 34 ft*lbf	43 - 46 N*m
Maximum Layers of Wire Rope:	2	
Gear Reduction:	26:1	
Brake Type:	Automatic Cone	

### Drum Rotation



Viewed from Motor End

### Standards Compliance

1. - CE Machinery Directive 98/37/EC and 2006/42/EC
2. - ASME B30.5

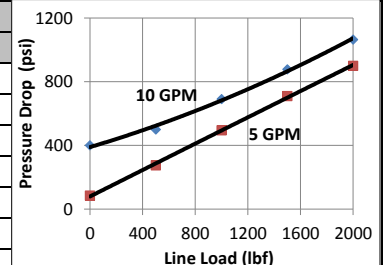
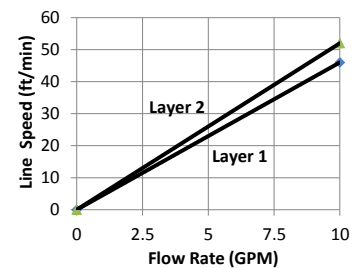
### Performance By Layer

Drum Layer	Line Load *			Line Speed at 10 GPM		Drum Capacity	
	lbf	kgf	kN	ft/min	m/min	ft	m
1	2000	907	8.9	46.0	14.0	20	6.1
2	1800	816	8.0	52.0	15.8	43	13.1

\* Never exceed the Rated Capacity. Installation of a Rated Capacity Limiter is recommended.

### First Layer Performance

Line Load		Pressure Drop at 5 GPM		Pressure Drop at 10 GPM		Duty Cycle
lbf	kgf	psi	BAR	psi	BAR	min/10min
0	0	85	5.9	400	27.6	Continuous
500	227	275	19.0	500	34.5	Continuous
1000	454	495	34.1	691	47.6	6.0
1500	680	710	49.0	878	60.5	3.0
2000	907	900	62.1	1065	73.4	2.2



**WARN INDUSTRIES, INC**  
Industrial Products

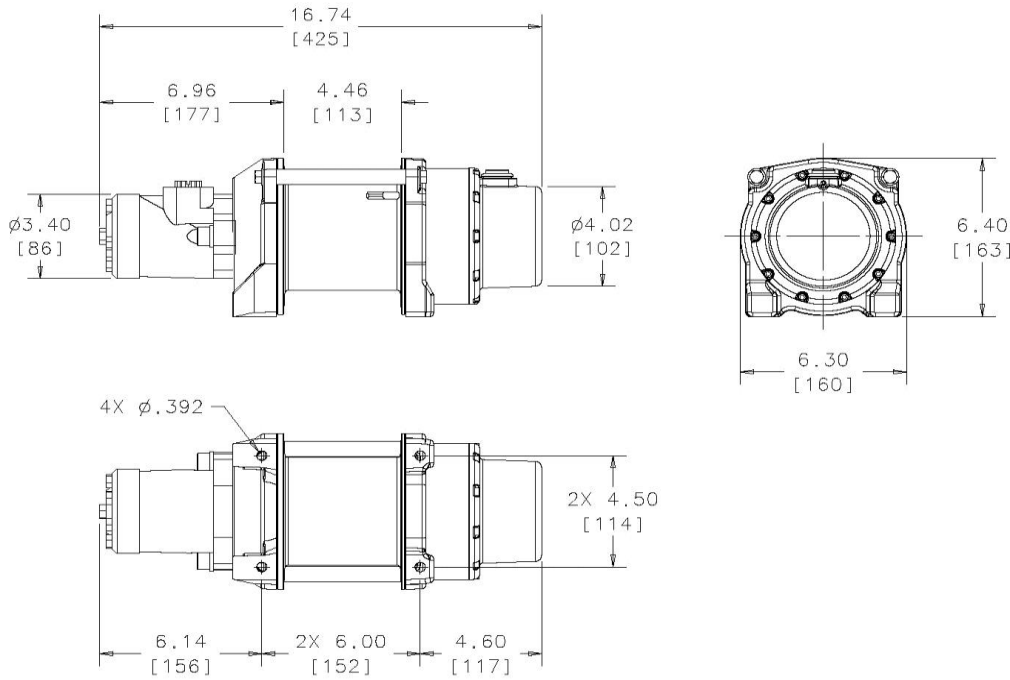
Customer Service (North America): 1.800.543.9276  
Customer Service (International): 1.503.722.3008  
FAX: 1.503.722.3000 www.warn.com

12900 S.E. Capps Road,  
Clackamas, OR USA 97015



# WARN Industrial Hoist

Model	Part Number	Motor Type
HY2000	68032	Hydraulic 2.75 ci (45 cc)



Units are given in inches [millimeters], unless otherwise specified

Recommended Mounting- Always Observe Correct Drum Rotation			Hydraulic System Specifications	
Pull from bottom of hoist  Feet down	Pull from bottom of hoist  Feet forward	Pull from top of hoist  Feet forward	Maximum System Pressure:	1950 psi   134 BAR
			Maximum Motor Pressure Drop:	1065 psi   73.4 BAR
			Maximum Rated Input Flow:	10 GPM   37.9 LPM
			Control Valve Type:	3-position, 4-way, spring return, closed center (cylinder spool)
<b>Control Valve Schematic</b>				
			Note: Drum rotates clockwise with Port A pressurized when viewed from gearbox end.	
Pull from top of hoist  Feet down without angle brace	Pull from top of hoist  Feet down without angle brace	Pull from top of hoist  Angle Braces Only		

**WARN INDUSTRIES, INC**  
Industrial Products

Customer Service (North America): 1.800.543.9276  
Customer Service (International): 1.503.722.3008  
FAX: 1.503.722.3000 www.warn.com

12900 S.E. Capps Road,  
Clackamas, OR USA 97015