

RS Running Boards
2019-2022 Chevrolet Silverado 1500 / 2019-2022 GMC Sierra 1500 - Crew Cab
2020-2022 Chevrolet Silverado 2500/ 3500 / 2020-2022 GMC Sierra 2500/3500 - Crew Cab



ARMORDILLO Products are designed as decorative accessories and should not be relied upon as protection for the vehicle or passengers. Buyers assume all risk and liability whatsoever resulting from installation and use of products. We assume no liability for injury, loss, incidental or consequential damages in the event of an accident.

ARMORDILLO guarantees the original purchaser a LIMITED 3-YEAR WARRANTY from date of purchase against manufactured defects in materials, workmanship and finish under normal use. This excludes damage resulting from road hazards, debris, product misuse, improper installation, impairments from accidents, neglect, shipping or product modification. This warranty applies only to new products and is limited to the repair or replacement products. Warranty does not include cost of removal, installation, labor, freight, inconvenience, or consequential damage. Original purchaser must return defective merchandise to the original place of purchase and must provide the proof of purchase.

WARNING: When working on, under or around vehicle exercise caution. If working without a lift check vehicle owners manual for correct jacking points. Always wear safety glasses and ensure a safe working area. Serious injury or death could occur if safety measures are not followed.

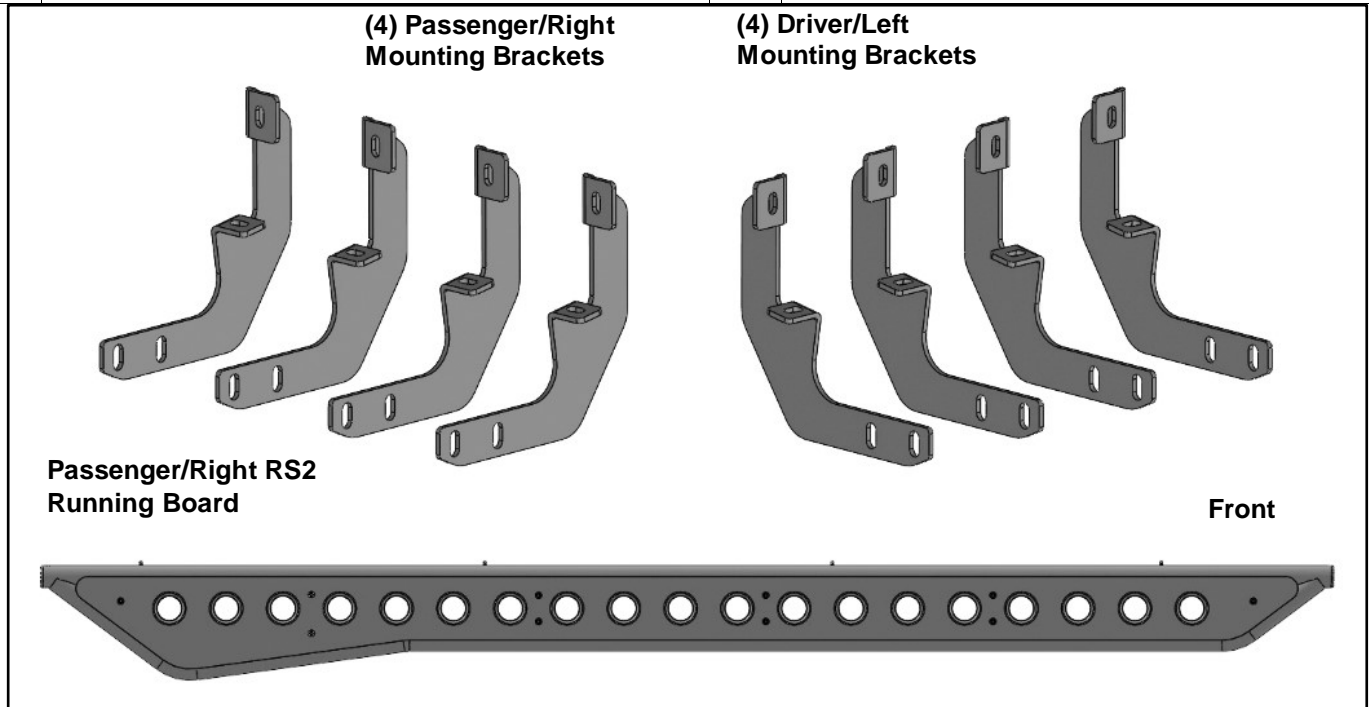
ARMORDILLO RECOMMENDS PROFESSIONAL INSTALLATION ON ALL THEIR PRODUCTS STOP - Verify part and application is correct before proceeding. If missing part or damaged item please contact customer service directly via message system on the site you bought the item from.

Call us at (909)895-4522 Monday-Friday 9am-6pm PST
Email us At SUPPORT@ARMORDILLOUSA.COM

RS Running Boards
2019-2022 Chevrolet Silverado 1500 / 2019-2022 GMC Sierra 1500 - Crew Cab
2020-2022 Chevrolet Silverado 2500/ 3500 / 2020-2022 GMC Sierra 2500/3500 - Crew Cab

PARTS LIST:

1	Driver/Left RS2 Running Board	32	10mm x 27mm OD x 3mm Flat Washers
1	Passenger/Right RS2 Running Board	16	10mm Nylon Lock Nuts
4	Driver/Left Mounting Brackets	16	8-1.25mm x 30mm Hex Bolts
4	Passenger/Right Mounting Brackets	16	8mm Lock Washers
16	10-1.5mm x 35mm Hex Bolts	16	8mm x 24mm OD x 2mm Flat Washers



PROCEDURE:

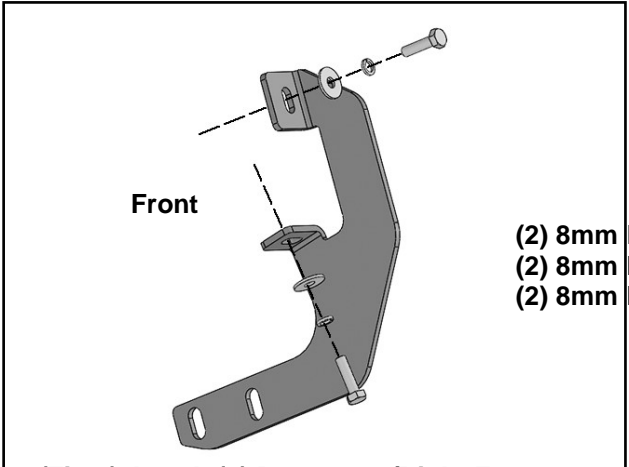
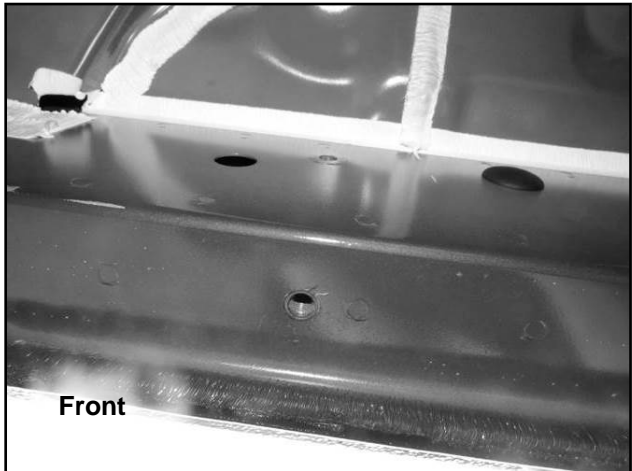
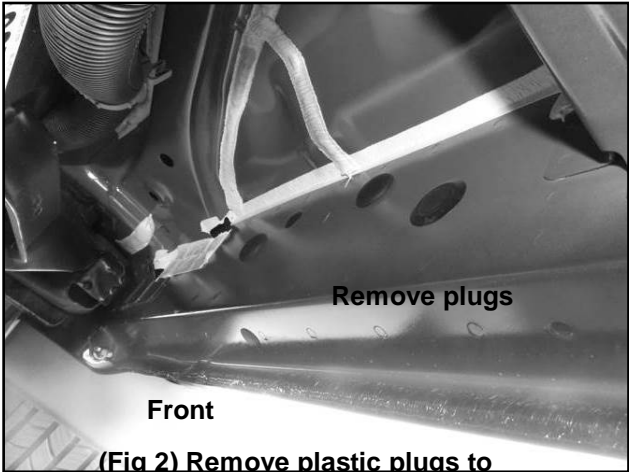
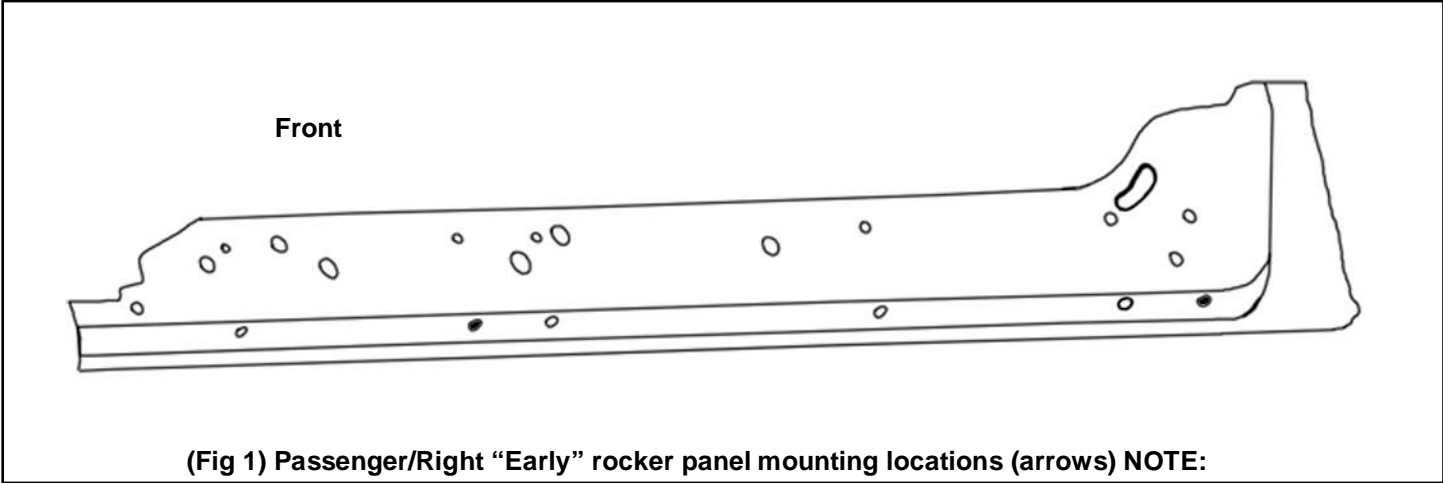
REMOVE CONTENTS FROM BOX. VERIFY ALL PARTS ARE PRESENT. READ INSTRUCTIONS CAREFULLY BEFORE STARTING INSTALLATION. ASSISTANCE IS RECOMMENDED.

1. Start the installation under the Passenger/Right side of the vehicle.
 - a. For “Early” 2019 models, locate the 6 plugs along the bottom edge of the body. Mounting Brackets will bolt to the 1st, 3rd, 4th and 6th threaded mounting holes, **(Figure 1)**.
 - b. For “Late” 2019 models, all (4) mounting locations will be used.
2. Remove the plastic plugs from the Passenger/Right front mounting location. Select (1) Passenger/Right Front Mounting Bracket. Attach the Bracket to the front mounting location with (2) 8mm Hex Bolts, (2) 8mm Lock Washers and (2) 8mm Flat Washers, **(Figures 2—4)**. Do not tighten hardware.
3. Repeat **Steps 1 & 2** to attach the remaining (3) Passenger/Right Front Mounting Brackets onto the 2nd, 3rd and rear mounting locations on the body panel, **(Figures 5—7)**. Do not tighten hardware.
4. Select the Passenger/Right RS2 Running Board. Attach the Running Board to the rear faces of the front (4) Mounting Brackets with (8) 10mm Hex Bolts, (16) 10mm Flat Washers, (8) 10mm Lock washers and (6) 10mm Hex Nuts, **(Figure 8)**. Do not tighten hardware.
5. Level and adjust the RS2 Running Board and fully tighten all hardware.
6. Repeat **Steps 1—5** to attach the Driver/Left Running Board.
7. **(OPTIONAL)** If treads on the stepping platform are desired, remove the platforms from both Running Boards and reattach them to the opposite sides, **(Figure 9)**.
8. Do periodic inspections to the installation to make sure that all hardware is secure and tight.

To protect your investment, Do not use any type of polish or wax that may contain abrasives that could damage the finish. Mild soap may be used also to clean the Running Board.

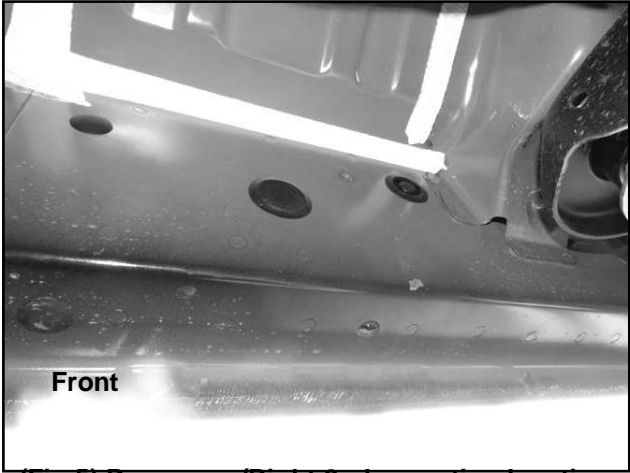
RS Running Boards
2019-2022 Chevrolet Silverado 1500 / 2019-2022 GMC Sierra 1500 - Crew Cab
2020-2022 Chevrolet Silverado 2500/ 3500 / 2020-2022 GMC Sierra 2500/3500 - Crew Cab

Passenger/Right side Installation Pictured



RS Running Boards
2019-2022 Chevrolet Silverado 1500 / 2019-2022 GMC Sierra 1500 - Crew Cab
2020-2022 Chevrolet Silverado 2500/ 3500 / 2020-2022 GMC Sierra 2500/3500 - Crew Cab

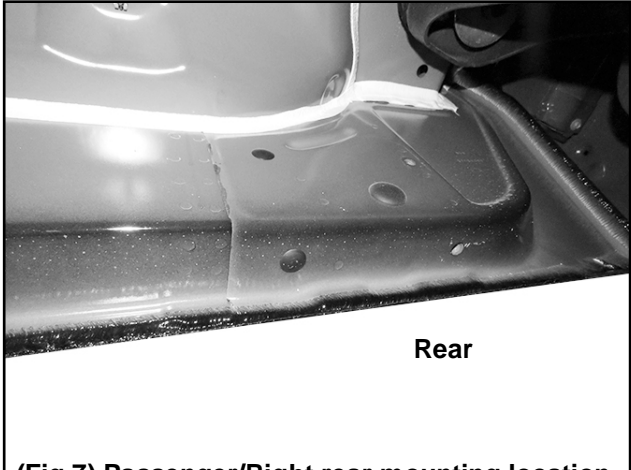
Passenger/Right side Installation Pictured



(Fig 5) Passenger/Right 2nd mounting location

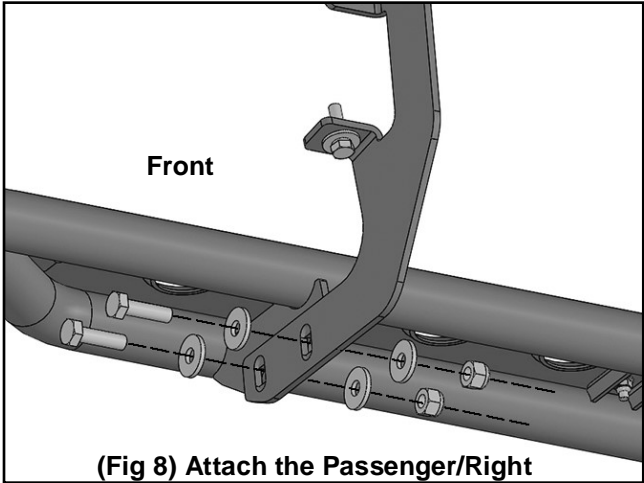


(Fig 6) Passenger/Right 3rd mounting location

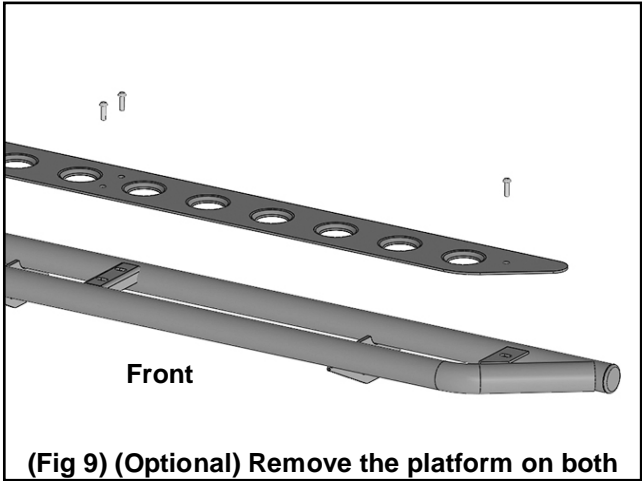


(Fig 7) Passenger/Right rear mounting location

- (2) 10mm Hex Bolts
- (4) 10mm Flat Washers
- (2) 10mm Lock Washers
- (2) 10mm Hex Nuts



(Fig 8) Attach the Passenger/Right Running Board to the rear faces of the Mounting Brackets



(Fig 9) (Optional) Remove the platform on both Running Boards to switch the boards for treads on top of the platforms for less slipping