



ARMORDILLO Products are designed as decorative accessories and should not be relied upon as protection for the vehicle or passengers. Buyers assume all risk and liability whatsoever resulting from installation and use of products. We assume no liability for injury, loss, incidental or consequential damages in the event of an accident.

ARMORDILLO guarantees the original purchaser a LIMITED 3-YEAR WARRANTY from date of purchase against manufactured defects in materials, workmanship and finish under normal use. This excludes damage resulting from road hazards, debris, product misuse, improper installation, impairments from accidents, neglect, shipping or product modification. This warranty applies only to new products and is limited to the repair or replacement products. Warranty does not include cost of removal, installation, labor, freight, inconvenience, or consequential damage. Original purchaser must return defective merchandise to the original place of purchase and must provide the proof of purchase.

WARNING: When working on, under or around vehicle exercise caution. If working without a lift check vehicle owners manual for correct jacking points. Always wear safety glasses and ensure a safe working area. Serious injury or death could occur if safety measures are not followed.

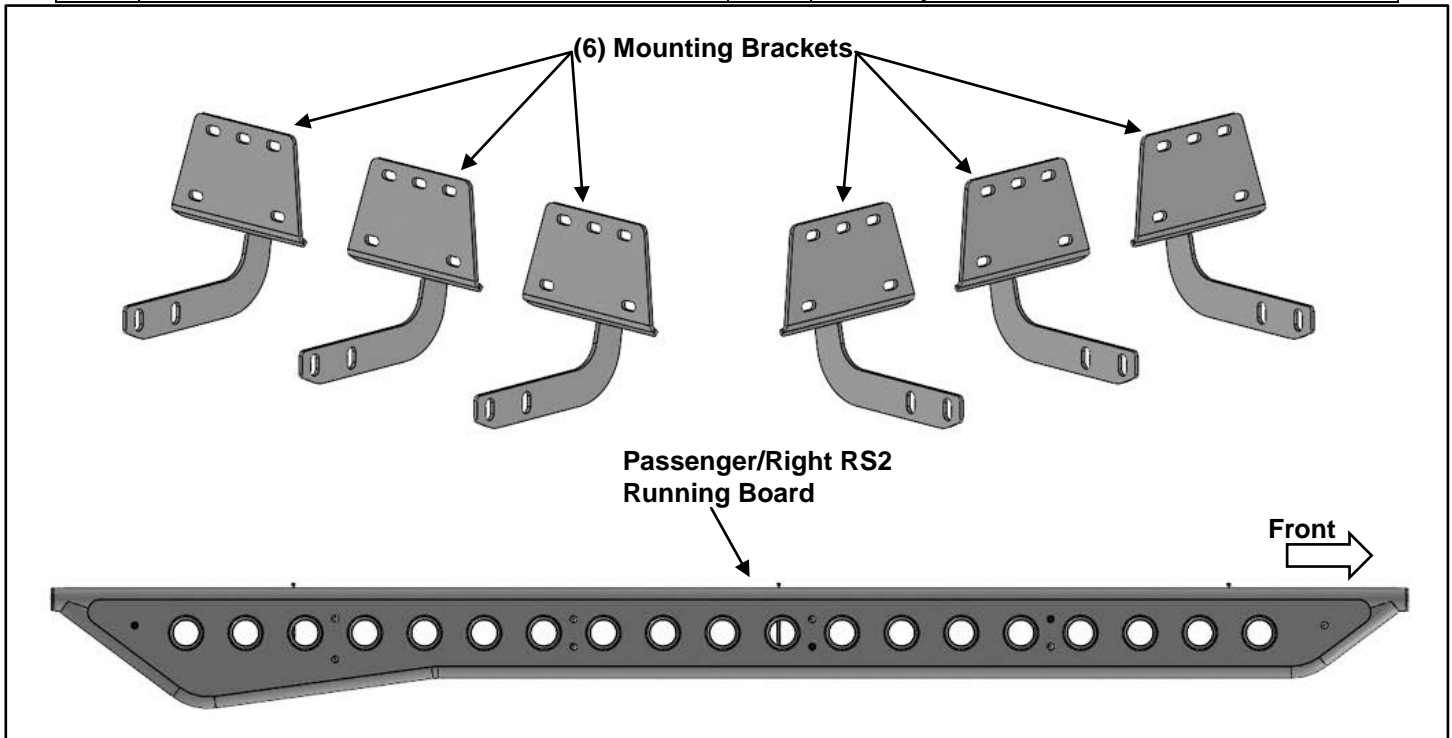
ARMORDILLO RECOMMENDS PROFESSIONAL INSTALLATION ON ALL THEIR PRODUCTS STOP - Verify part and application is correct before proceeding. If missing part or damage item please contact customer service directly via message system on the site you bought the item from.

Call us at (909)895-4522 Monday-Friday 9am-6pm PST
Email us At SUPPORT@ARMORDILLOUSA.COM

RS Running Boards
2019-2022 Ram 1500 - Crew Cab
(Excl 2019-2022 Ram 1500 Classic)

PARTS LIST:

1	Driver/Left RS2 Running Board	24	10mm x 27mm OD x 3mm Flat Washers
1	Passenger/Right RS2 Running Board	12	10mm Nylon lock Nuts
6	Mounting Brackets	18	8mm x 24mm OD x 2mm Flat Washers
12	10-1.5mm x 35mm Hex Bolts	18	8mm Nylon Lock Nuts

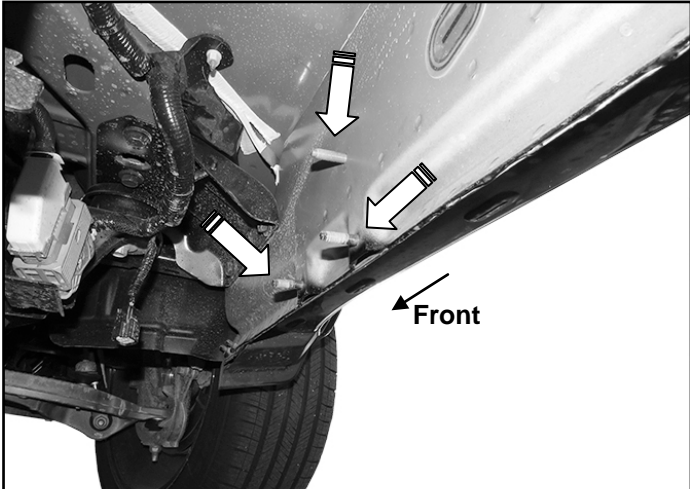


PROCEDURE: REMOVE CONTENTS FROM BOX. VERIFY ALL PARTS ARE PRESENT. READ INSTRUCTIONS CAREFULLY BEFORE STARTING INSTALLATION. ASSISTANCE IS RECOMMENDED.

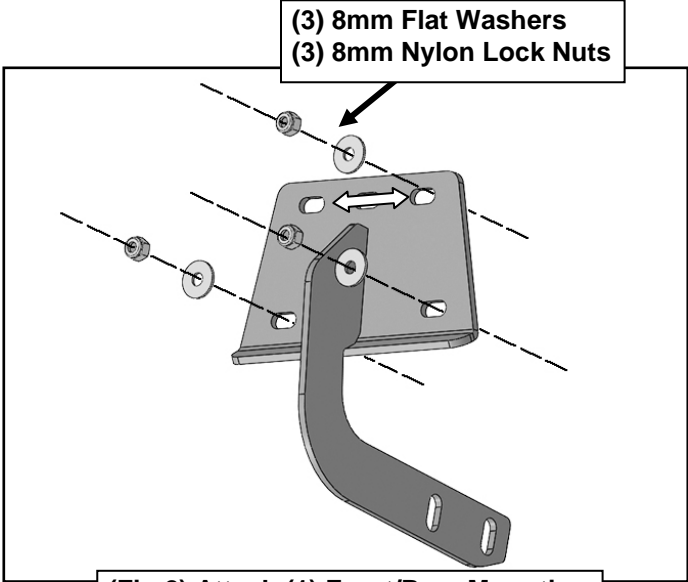
1. Start the installation under the Passenger/Right side of the vehicle. Locate the front (3) factory studs along the inner side of the body panel, **(Figure 1)**. **NOTE:** Use a wire brush or die to remove paint buildup on the threaded studs.
2. Select (1) Mounting Bracket. Attach the Mounting Bracket to the (3) factory studs with (3) 8mm Flat Washers and (3) 8mm Nylon Lock Nuts, **(Figures 2 & 3)**. Leave brackets loose at this time.
3. Repeat **Steps 1—3** to attach and (2) Mounting Brackets to the center and rear mounting locations along the body panel, **(Figures 4—7)**.
4. Select the Passenger/Right RS2 Running Board. With assistance, attach the Running Board to the rear faces of the Mounting Brackets with (6) 10mm x 35mm Hex Bolts, (12) 10mm Flat Washers and (6) 10mm Nylon Lock Nuts, **(Figure 8)**.
5. Level and adjust the Running Board as necessary and fully tighten all hardware.
6. Repeat **Steps 1—5** to attach the Driver/Left RS2 Running Board.
7. **(OPTIONAL)** If treads on the stepping platform are desired, remove the platforms from both Running Boards and reattach them to the opposite sides, **(Figure 9)**.
8. Do periodic inspections to the installation to make sure that all hardware is secure and tight.

To protect your investment, Do not use any type of polish or wax that may contain abrasives that could damage the finish. Mild soap may be used also to clean the Running Board.

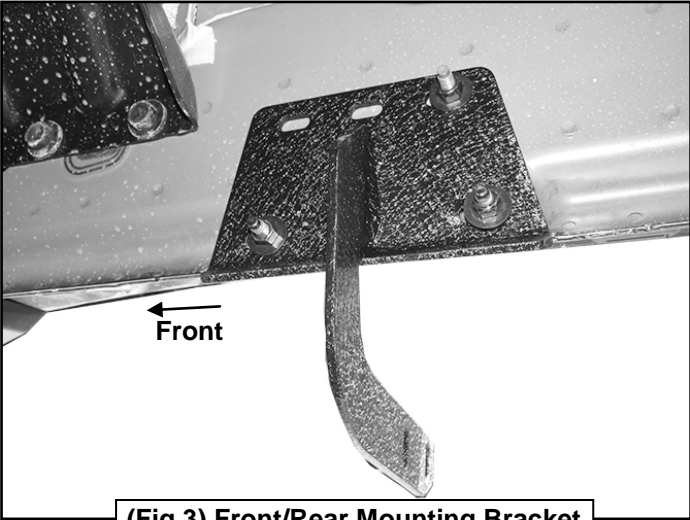
Passenger/Right Side Installation Pictured



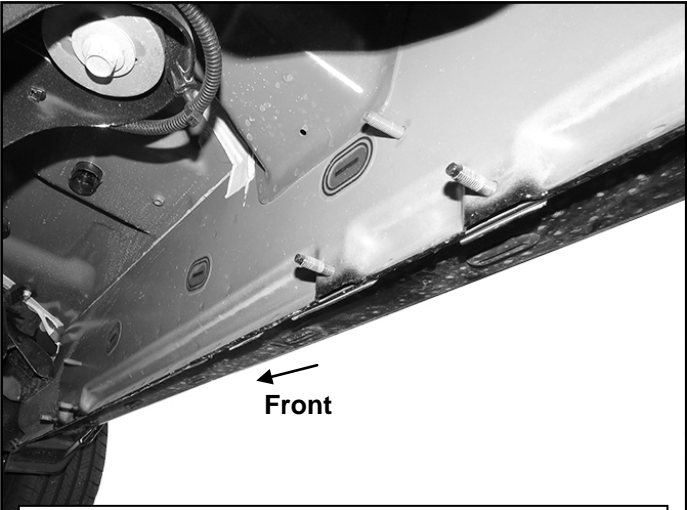
(Fig 1) Passenger/Right front mounting location



(Fig 2) Attach (1) Front/Rear Mounting Bracket to the (3) studs

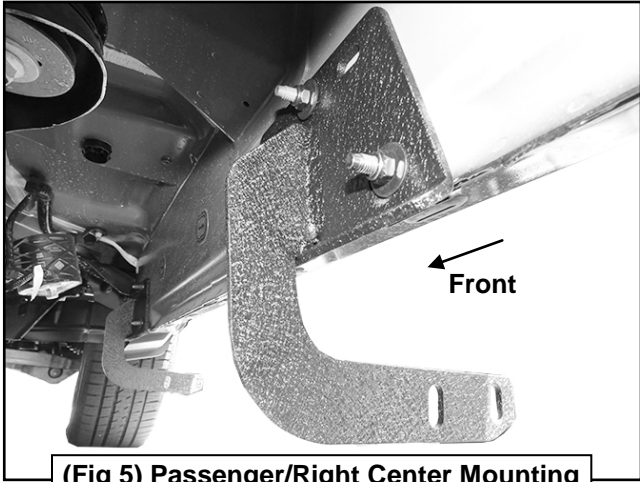


(Fig 3) Front/Rear Mounting Bracket attached to the front location

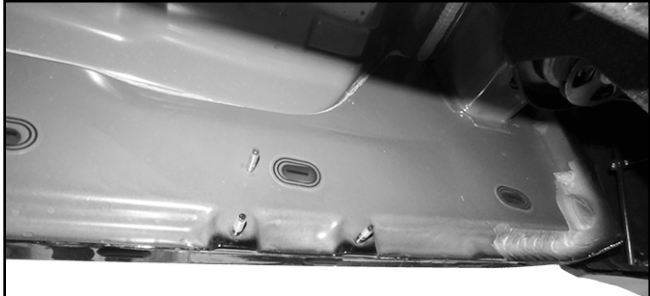


(Fig 4) Passenger/Right center mounting location

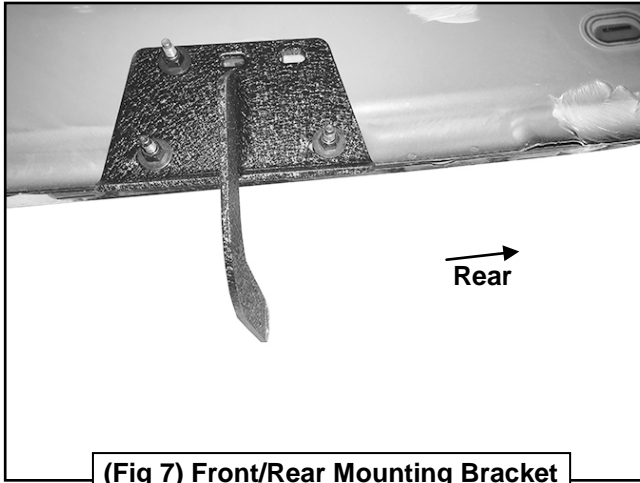
Passenger/Right Side Installation Pictured



(Fig 5) Passenger/Right Center Mounting Bracket attached to the center location

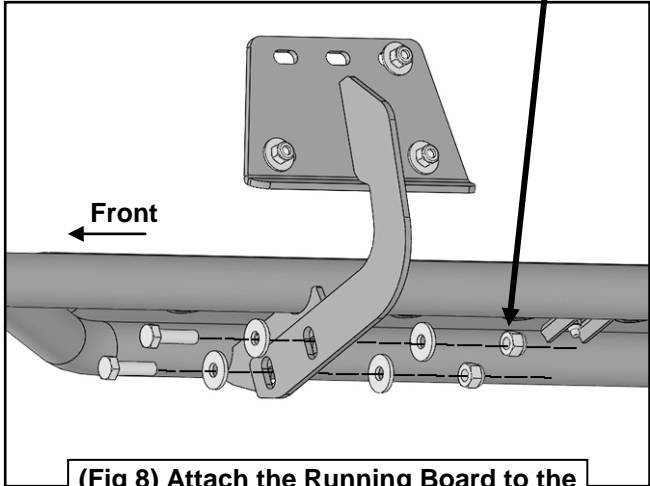


(Fig 6) Passenger/Right rear mounting location

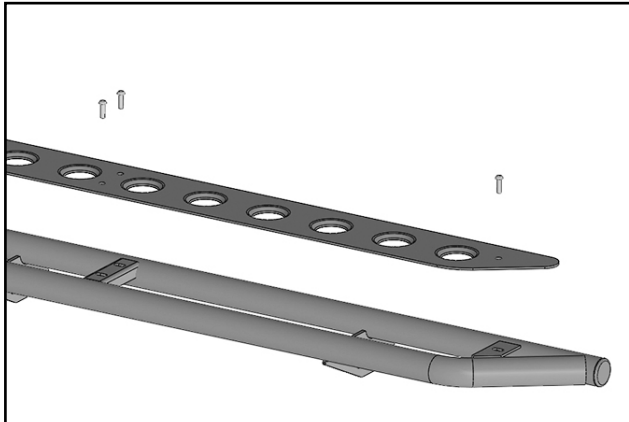


(Fig 7) Front/Rear Mounting Bracket attached to the rear location

- (2) 10mm Hex Bolts
- (4) 10mm Flat Washers
- (2) 10mm Nylon Lock Nuts



(Fig 8) Attach the Running Board to the rear faces of the Mounting Brackets



(Fig 9) (Optional) Remove the platform on both Running Boards to switch the boards for treads on top of the platforms for less slipping