



ARMORDILLO Products are designed as decorative accessories and should not be relied upon as protection for the vehicle or passengers. Buyers assume all risk and liability whatsoever resulting from installation and use of products. We assume no liability for injury, loss, incidental or consequential damages in the event of an accident.

ARMORDILLO guarantees the original purchaser a LIMITED 3-YEAR WARRANTY from date of purchase against manufactured defects in materials, workmanship and finish under normal use. This excludes damage resulting from road hazards, debris, product misuse, improper installation, impairments from accidents, neglect, shipping or product modification. This warranty applies only to new products and is limited to the repair or replacement products. Warranty does not include cost of removal, installation, labor, freight, inconvenience, or consequential damage. Original purchaser must return defective merchandise to the original place of purchase and must provide the proof of purchase.

**WARNING:** When working on, under or around vehicle exercise caution. If working without a lift check vehicle owners manual for correct jacking points. Always wear safety glasses and ensure a safe working area. Serious injury or death could occur if safety measures are not followed.

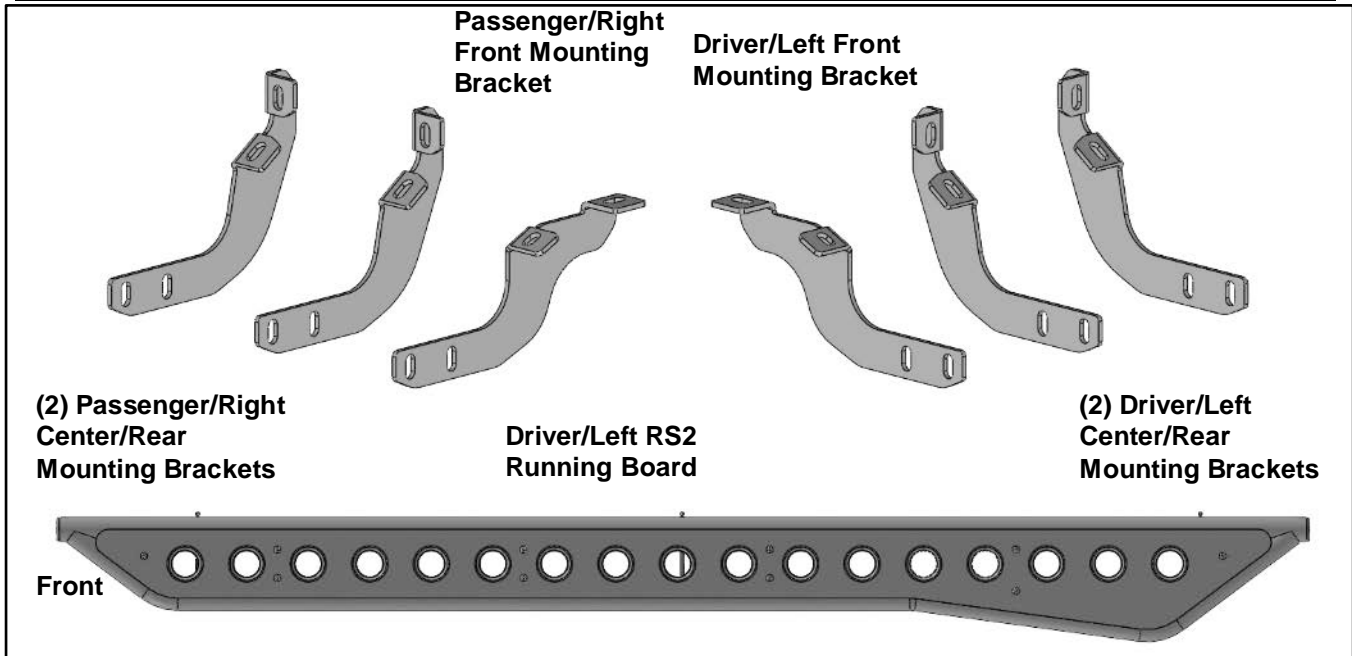
ARMORDILLO RECOMMENDS PROFESSIONAL INSTALLATION ON ALL THEIR PRODUCTS STOP - Verify part and application is correct before proceeding. If missing part or damage item please contact customer service directly via message system on the site you bought the item from.

**Call us at (909)895-4522 Monday-Friday 9am-6pm PST  
Email us At [SUPPORT@ARMORDILLOUSA.COM](mailto:SUPPORT@ARMORDILLOUSA.COM)**

**RS Running Boards**  
**2019-2022 Ford Ranger - Super Crew**

**PARTS LIST:**

1	Driver/Left RS2 Running Board	12	10-1.5mm x 35mm Hex Bolts
1	Passenger/Right RS2 Running Board	12	10-1.5mm x 25mm Hex Bolts
1	Driver/Left Mounting Bracket	12	10mm Lock Washers
1	Passenger/Right Mounting Bracket	36	10mm x 27mm OD x 3mm Flat Washers
2	Driver/Left Center/Rear Mounting Brackets	12	10mm Nylon Lock Nuts
2	Passenger/Right Center/Rear Mounting Brackets		

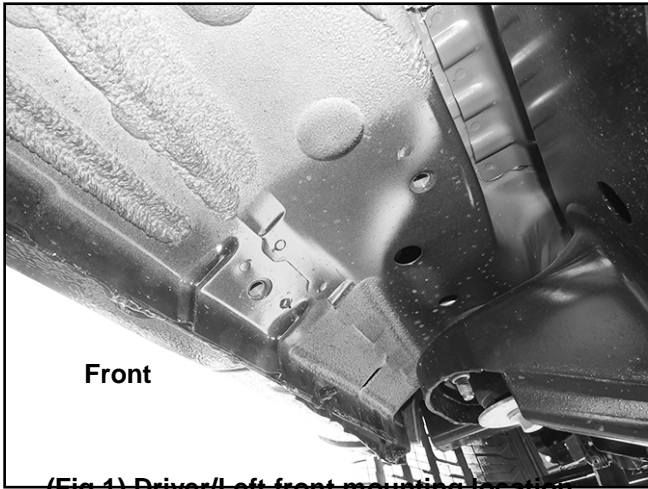


**PROCEDURE:**

1. **REMOVE CONTENTS FROM BOX. VERIFY ALL PARTS ARE PRESENT. READ INSTRUCTIONS CAREFULLY BEFORE STARTING INSTALLATION.**
2. Starting on the Driver/Left side rocker panel, locate the threaded mounting holes in the rocker panel, **(Figure 1)**. Remove the plastic plugs covering the mounting holes.
3. Select the Driver/Left Front Mounting Bracket. Attach the Bracket to the Driver/Left front location with (2) 10mm x 25mm Hex Bolts, (2) 10mm Lock Washers and (2) 10mm Flat Washers **(Figure 2)**. Do not tighten hardware.
4. Locate the center threaded holes. Select (1) Driver/Left Center/Rear Mounting Bracket. Attach the Mounting Bracket with (2) 10mm x 25mm Hex Bolts, (2) 10mm Lock Washers and (2) 10mm Flat Washers, **(Figures 4—6)**. Do not tighten hardware.
5. Repeat **Step 4** to attach (1) Center/Rear Mounting Bracket to the rear location, **(Figure 7 & 8)**.
6. Select the Driver/Left RS2 Running Board. With assistance, attach the Running Board to the rear faces of the Mounting Brackets with (6) 10mm x 35mm Hex Bolts, (12) 10mm Flat Washers and (6) 10mm Nylon Lock Nuts, **(Figures 9—12)**.
7. Level and adjust Running Board and tighten all hardware.
8. Repeat **Steps 2—7** to attach the Passenger/Right Running Board.
9. **(OPTIONAL)** If treads on the stepping platform are desired, remove the platforms from both Running Boards and reattach them to the opposite sides.
10. Do periodic inspections to the installation to make sure that all hardware is secure and tight.

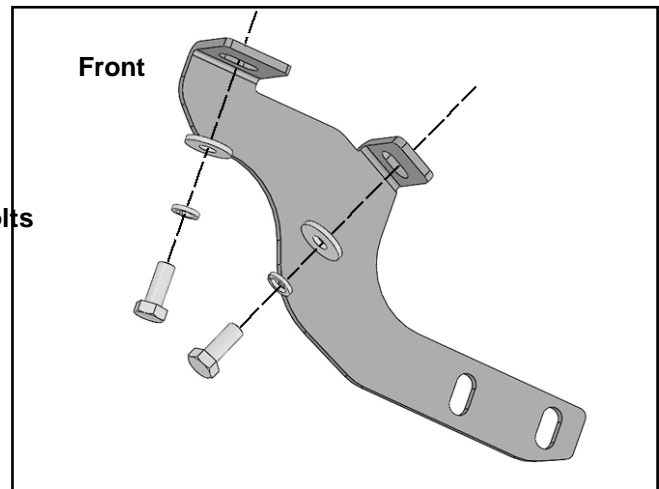
**To protect your investment,** Do not use any type of polish or wax that may contain abrasives that could damage the finish. Mild soap may be used to clean the Running Boards.

Driver/Left side Installation Pictured

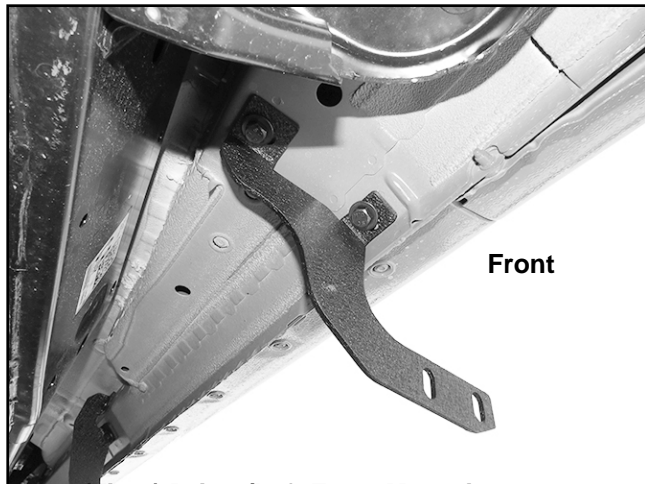


(Fig 1) Driver/Left front mounting location

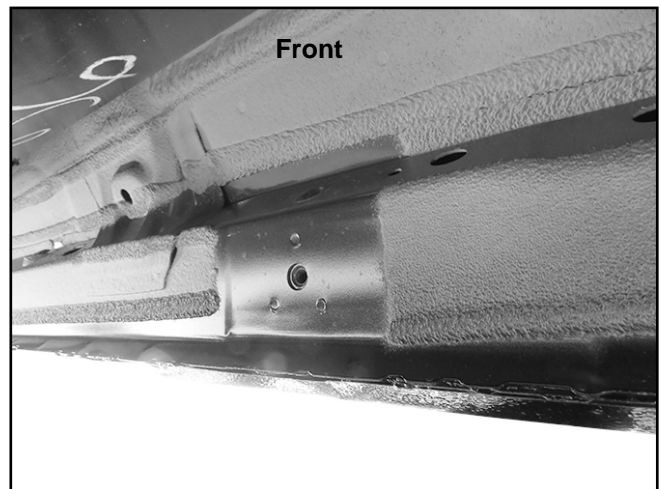
- (2) 10mm x 25mm Hex Bolts
- (2) 10mm Lock Washers
- (2) 10mm Flat Washers



(Fig 2) Attach the Driver/Left Front Mounting Bracket to the front rocker panel location

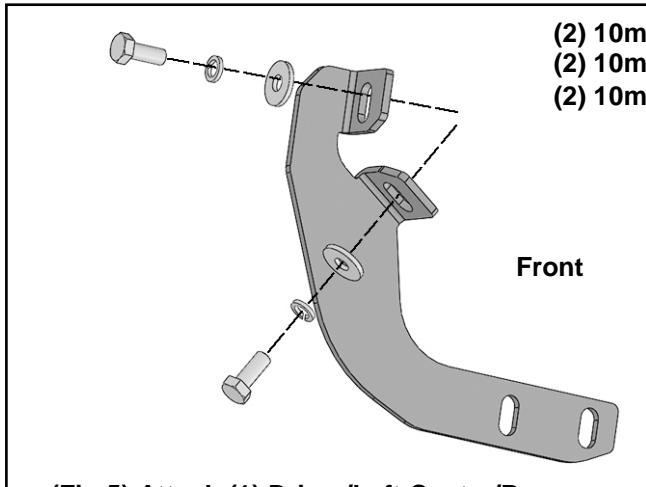


(Fig 3) Driver/Left Front Mounting Bracket attached to the front location

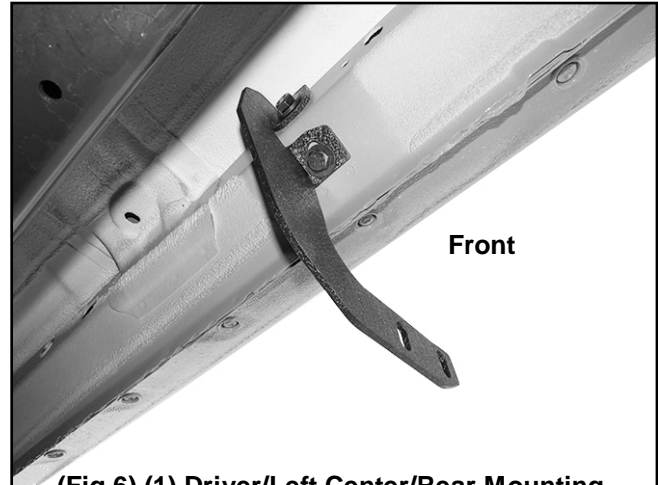


(Fig 4) Driver/Left center mounting location

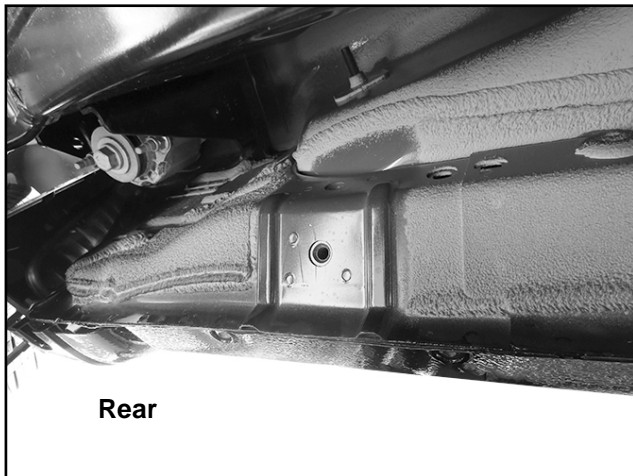
Driver/Left side Installation Pictured



(Fig 5) Attach (1) Driver/Left Center/Rear mounting Brackets to the rocker panel



(Fig 6) (1) Driver/Left Center/Rear Mounting Bracket attached to the center location

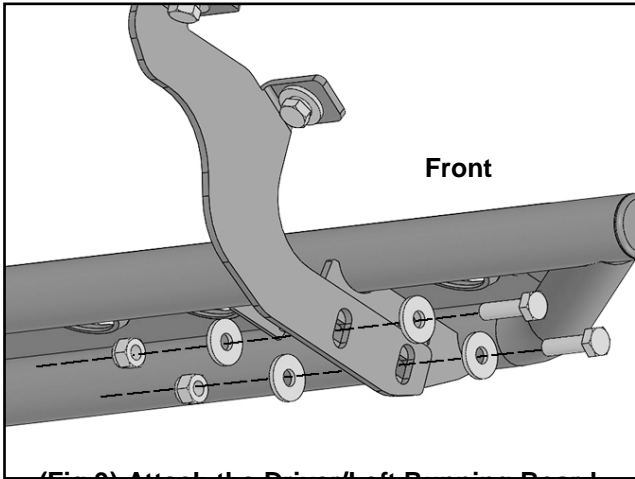


(Fig 7) Driver/Left rear mounting location



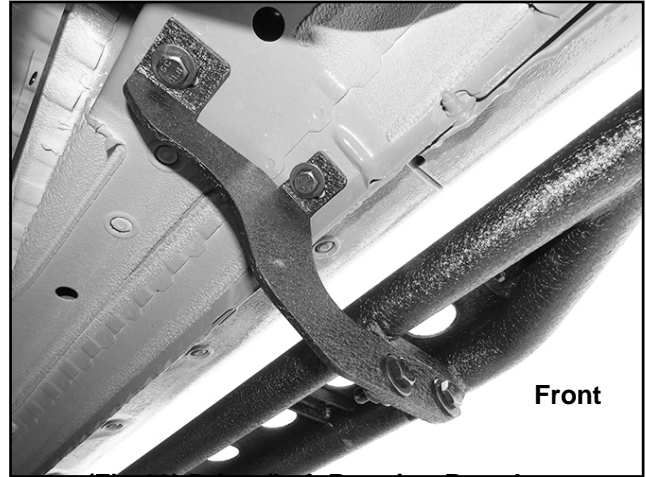
(Fig 8) (1) Driver/Left Center/Rear Mounting Bracket attached to the rear location

Driver/Left side Installation Pictured

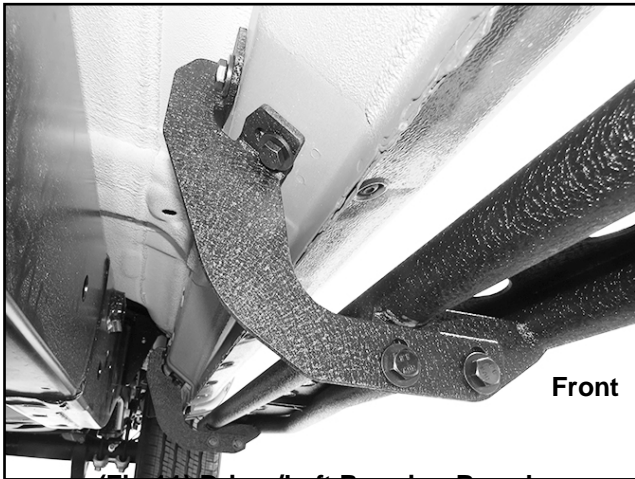


(Fig 9) Attach the Driver/Left Running Board to the rear faces of the Mounting Brackets

- (2) 10mm x 35mm Hex Bolts
- (4) 10mm Flat Washers
- (2) 10mm Nylon Lock Nuts



(Fig 10) Driver/Left Running Board attached to the front Mounting Bracket



(Fig 11) Driver/Left Running Board attached to the center location



(Fig 12) Driver/Left Running Board attached to the rear location