

**RS Running Boards**  
**2007-2018 Chevy Silverado 1500 / GMC Sierra 1500 - Extended Cab/Double Cab**  
**2007-2019 Chevy Silverado 2500/3500 / GMC Sierra 2500/3500 - Extended Cab/Double Cab**



ARMORDILLO Products are designed as decorative accessories and should not be relied upon as protection for the vehicle or passengers. Buyers assume all risk and liability whatsoever resulting from installation and use of products. We assume no liability for injury, loss, incidental or consequential damages in the event of an accident.

ARMORDILLO guarantees the original purchaser a LIMITED 3-YEAR WARRANTY from date of purchase against manufactured defects in materials, workmanship and finish under normal use. This excludes damage resulting from road hazards, debris, product misuse, improper installation, impairments from accidents, neglect, shipping or product modification. This warranty applies only to new products and is limited to the repair or replacement products. Warranty does not include cost of removal, installation, labor, freight, inconvenience, or consequential damage. Original purchaser must return defective merchandise to the original place of purchase and must provide the proof of purchase.

**WARNING:** When working on, under or around vehicle exercise caution. If working without a lift check vehicle owners manual for correct jacking points. Always wear safety glasses and ensure a safe working area. Serious injury or death could occur if safety measures are not followed.

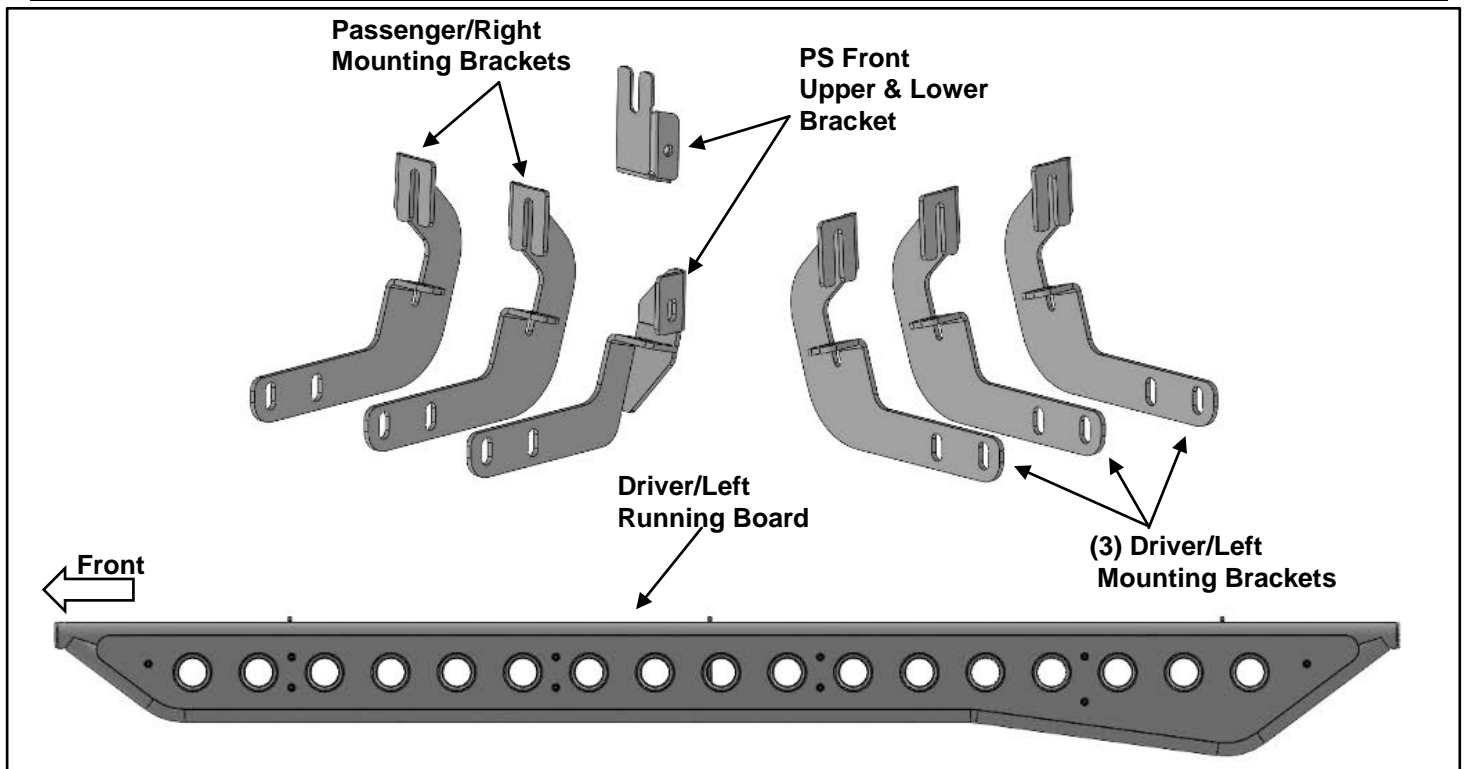
ARMORDILLO RECOMMENDS PROFESSIONAL INSTALLATION ON ALL THEIR PRODUCTS STOP - Verify part and application is correct before proceeding. If missing part or damaged item please contact customer service directly via message system on the site you bought the item from.

**Call us at (909)895-4522 Monday-Friday 9am-6pm PST**  
**Email us At [SUPPORT@ARMORDILLOUSA.COM](mailto:SUPPORT@ARMORDILLOUSA.COM)**

**RS Running Boards**  
**2007-2018 Chevy Silverado 1500 / GMC Sierra 1500 - Extended Cab/Double Cab**  
**2007-2019 Chevy Silverado 2500/3500 / GMC Sierra 2500/3500 - Extended Cab/Double Cab**

**PARTS LIST:**

1	Driver/Left RS2 Running Board	12	10mm Nylon Lock Nuts
1	Passenger/Right RS2 Running Board	1	8-1.25mm Bolt Plate
3	Driver/Left Mounting Brackets	1	8-1.25mm x 40mm Hex Bolt
2	Passenger/Right Center/Rear Mounting Brackets	12	8-1.25mm x 25mm Hex Bolts
1	Passenger/Right Front Upper Mounting Bracket	12	8mm Lock Washers
1	Passenger/Right Front Lower Mounting Bracket	13	8mm x 24mm OD x 2mm Flat Washers
12	10-1.5mm x 35mm Hex Bolts	1	8mm Nylon Lock Washers
24	10mm x 27mm OD x 3mm Flat Washers	11	8mm Clip Nuts



**PROCEDURE: REMOVE CONTENTS FROM BOX. VERIFY ALL PARTS ARE PRESENT. READ INSTRUCTIONS CAREFULLY BEFORE STARTING INSTALLATION. ON MODELS WITH DEF TANK, SELECT A FLAT, LEVEL AREA FOR INSTALLATION. MAY REQUIRE CUTTING.**

1. Start the installation under the Driver/Left side of the vehicle. Locate the 4 tabs along the bottom edge of the body, (pinch weld). Mounting will use the 1st, 2nd and 4th tab locations, **(Figure 1)**. Directly above each tab is a top mounting location on the side of the body panel. Hold a Bracket up in place to help determine the mounting holes to use along the body.

2. Determine the correct procedure for your model year and each Bracket location.

**Bottom mounting location on the edge of the pinch weld.**

**Flat tab on pinch weld with factory installed weld nut:**

Thread hex bolt into weld nut from the backside-down to clear paint from threads, **(Figure 2)**.

**Flat tab on pinch weld with hole:**

Select (1) 8mm Clip Nut. Slide the Clip Nut over the tab with the nut facing up behind the tab, **(Figure 3)**. Line up threaded nut with hole in the tab.

**Locate top mounting location on the back side of the rocker panel.**

**Models with factory installed threaded insert in rocker panel:**

Thread 8mm Hex Bolt into threaded insert to clear paint as required.

**Large and small hole in side of rocker panel:**

**2007-2018 Chevy Silverado 1500 / GMC Sierra 1500 - Extended Cab/Double Cab  
2007-2019 Chevy Silverado 2500/3500 / GMC Sierra 2500/3500 - Extended Cab/Double Cab**

Remove the rubber plug from the larger hole. Select (1) 8mm Clip Nut. Slide the Clip Nut into the larger hole. Line up the threaded nut with the smaller hole, **(Figure 3)**.

3. Select (1) Driver/Passenger Mounting Bracket. Bolt the Mounting Bracket to the Clip Nuts and/or the factory threaded holes with (2) 8mm Hex Bolts, (2) 8mm Lock Washers and (2) 8mm Flat Washers, **(Figure 4)**. Do not tighten hardware.
4. Repeat **Steps 1—3** to attach the remaining (2) Driver/Left Mounting Brackets, **(Figures 5 & 6)**.
5. Select the Driver/Left RS2 Running Board. Attach the Running Board to the rear faces of the (3) Mounting Brackets with (6) 10mm Hex Bolts, (12) 10mm Flat Washers and (6) 10mm Nylon Lock Nuts, **(Figure 7)**. Do not tighten hardware.
6. Level and adjust the Running Board and fully tighten all hardware.
7. Move to the Passenger/Right side of the vehicle. On the Passenger/Right side, determine if the vehicle is equipped with a plastic diesel exhaust fluid (DEF) tank, **(Figures 8 & 9)**.

**Models without DEF tank, skip to Step 8.**

**Models with DEF tank:** The tank sits close to the side of the body. With specialized tools, the passenger front upper and lower Bracket can be installed but room is very limited.

**Determine model year of vehicle before proceeding.**

**Up to 2016 models:**

It may be easier to drop the tank down to access the inner side of the body panel for upper bracket installation. Tank will not need to be removed, only dropped down for access to mounting location.

**IMPORTANT:** If tank is full, it will be very heavy and assistance is highly recommended to avoid injury or damage to the vehicle or the tank. It is recommended that installation is performed when the DEF tank is low on fluid before dropping the tank.

- a. On models with plastic lower tray under the tank, remove the (3) hex bolts attaching the tray to the frame, **(Figure 8)**, and remove the tray.
- b. Release the tank filler hose. Release the plug for the sending unit on the top of the tank.
- c. Support the tank with a floor jack. Place a smooth flat surface, (wooden block for example), between the floor jack and the tank to avoid damaging the plastic tank. Do not push up on the tank; only support the weight of the tank with the jack.
- d. Remove the (2) bolts securing the tank straps to the vehicle, **(Figure 9)**. Tilt the straps to release from the brackets. Slowly lower the tank until the top of the tank is almost visible. Use blocks or stands to support the tank while installing the front Upper and Lower Brackets.
- e. Proceed to **Step 8**.

**2017 models and on:**

- a. Remove the (4) hex bolts attaching plastic cover to DEF tank, **(Figure 10A)** and remove plastic cover, **(Figure 10B)**. **NOTE:** On 2017-on 2500/3500 models, only remove plastic cover from DEF tank. **Do not lower DEF tank** and proceed to **Step 8**.
8. Locate the first tab on the edge of the pinch weld, **(Figure 11)**. Select the Upper Bracket, **(Figure 12)**. Attach the Upper Bracket with (1) 8mm x 25mm Hex Bolt, (1) 8mm Lock Washer and (1) 8mm Flat Washer, **(Figure 13)**. Do not tighten hardware at this time.
9. Line up the hole in the bottom of the Upper Bracket with the hole in the tab on the pinch weld.
  - a. **Models with a weld-nut:** Slide the Bracket over the weld-nut. Attach the Lower Bracket to the bottom of the body and weld-nut with (1) 8mm x 40mm Hex Bolt, (1) 8mm x 24mm Flat Washer, (1) 8mm x 28mm Flat Washer and (1) 8mm Nylon Lock Nut, **(Figures 14 & 15)**. Do not tighten hardware.
  - b. **Models with flat tab and hole:** Insert the 8mm Bolt Plate down through the hole in the Upper Bracket and tab. Attach the Lower Bracket to the bottom of the body and Bolt Plate with (1) 8mm Flat Washer and (1) 8mm Nylon Lock Nut, **(Figures 16)**. Do not tighten hardware.
10. Attach the Lower Bracket to the Upper Bracket with (1) 8mm x 25mm Hex Bolt, (1) 8mm Lock Washer and (1) 8mm Flat Washer, **(Figure 17)**. Do not tighten hardware.
11. Repeat **Steps 1—4** to attach the (2) remaining Passenger/Right Mounting Brackets.

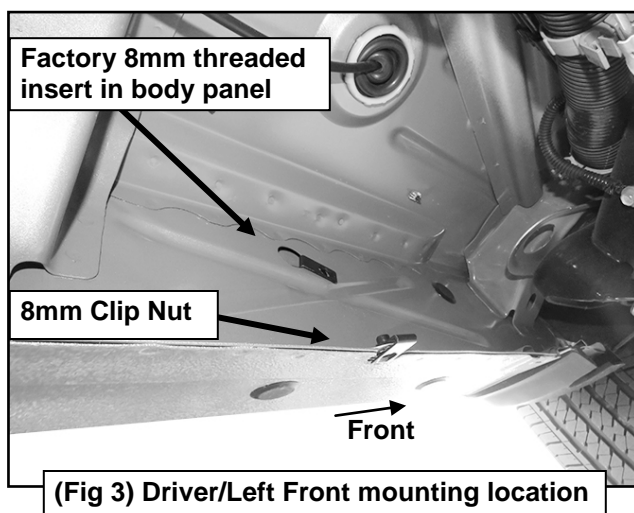
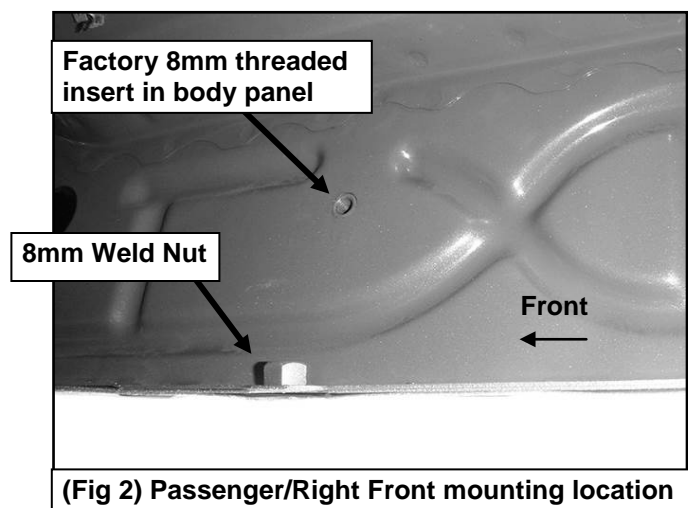
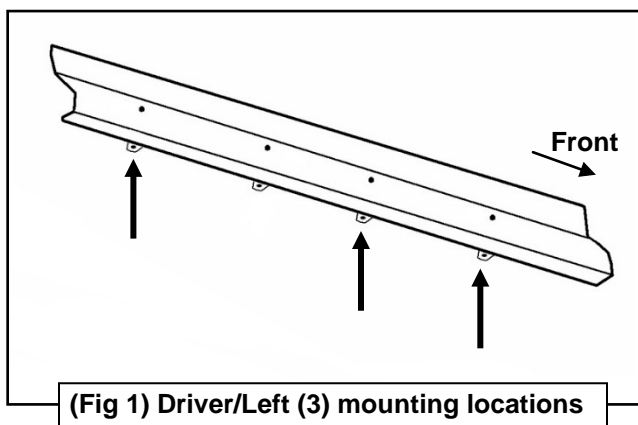
## RS Running Boards

2007-2018 Chevy Silverado 1500 / GMC Sierra 1500 - Extended Cab/Double Cab  
2007-2019 Chevy Silverado 2500/3500 / GMC Sierra 2500/3500 - Extended Cab/Double Cab

- a. **2017-on DEF tank models:** Locate the 2nd tab bracket location along the bottom edge of the body, (pinch weld), (**Figure 11**). Hold the DEF cover in place and mark the location onto the cover, (**Figures 18A & 18B**). Use a sharp knife or hacksaw blade to carefully cut a slot in the plastic cover to clear the 2nd Bracket. Remove as little plastic as possible.
12. Repeat **Step 5** to attach the Passenger/Right Running Board.
13. Once the Running Board has been installed and all hardware fully tightened, reinstall the DEF tank and cover, if equipped, as described in **Step 7**.
14. (**OPTIONAL**) If treads on the stepping platform are desired, remove the platforms from both Running Boards and reattach them to the opposite sides, (**Figure 19**).
15. Do periodic inspections to the installation to make sure that all hardware is secure and tight.

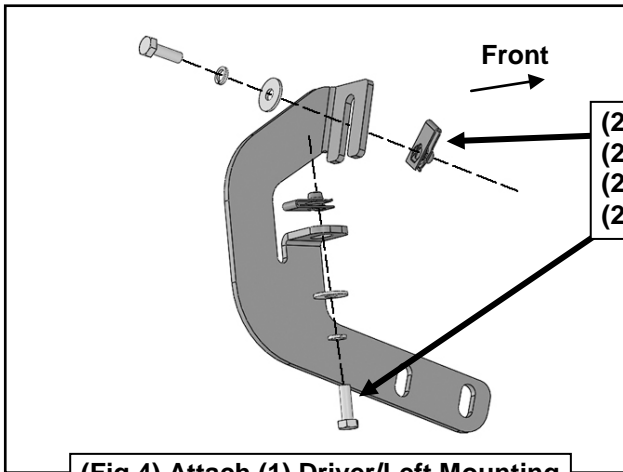
**To protect your investment,** Do not use any type of polish or wax that may contain abrasives that could damage the finish. Mild soap may be used also to clean the Running Boards.

### Driver/Left Side Installation Pictured

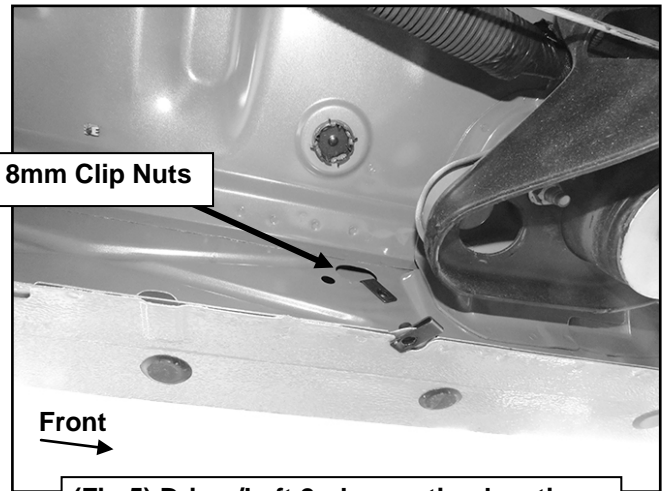


**RS Running Boards**  
**2007-2018 Chevy Silverado 1500 / GMC Sierra 1500 - Extended Cab/Double Cab**  
**2007-2019 Chevy Silverado 2500/3500 / GMC Sierra 2500/3500 - Extended Cab/Double Cab**

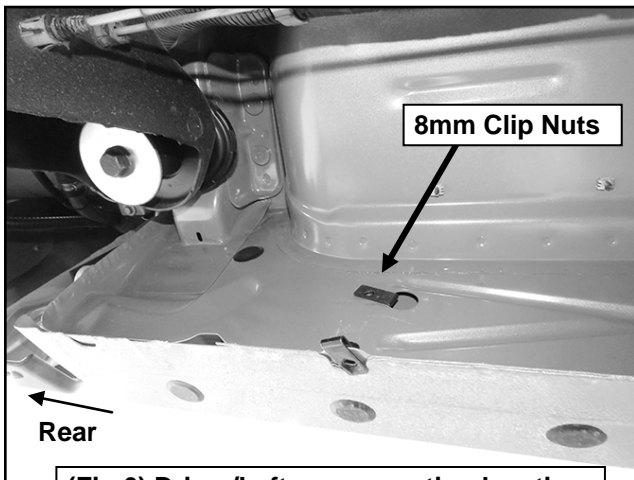
**Driver/Left Side Installation Pictured**



**(Fig 4) Attach (1) Driver/Left Mounting Bracket to the front location**

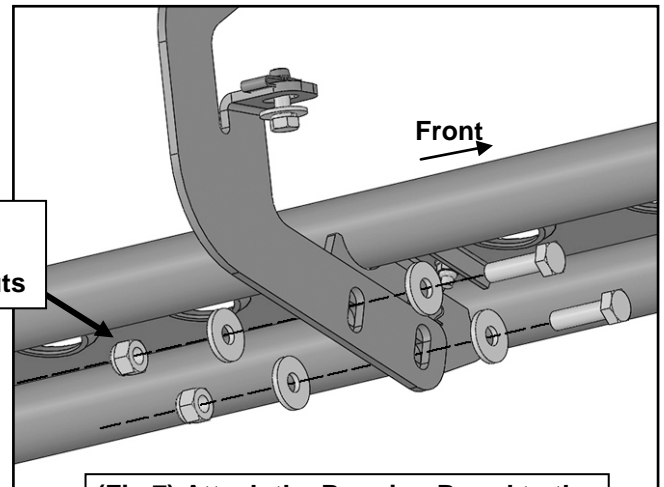


**(Fig 5) Driver/Left 2nd mounting location**



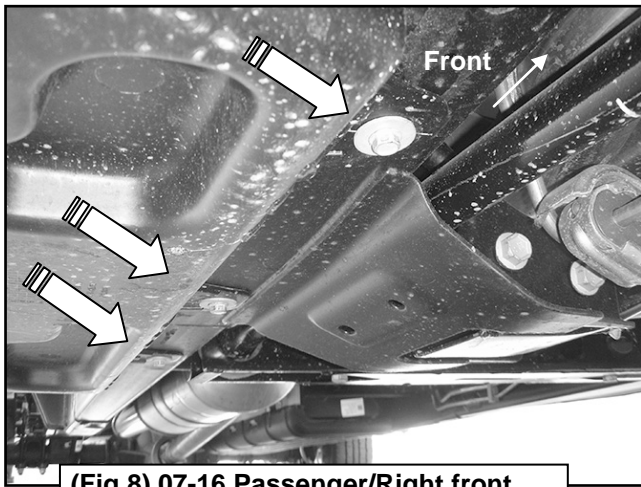
**(Fig 6) Driver/Left rear mounting location**

- (2) 10mm Hex Bolts**
- (4) 10mm Flat Washers**
- (2) 10mm Nylon Lock Nuts**



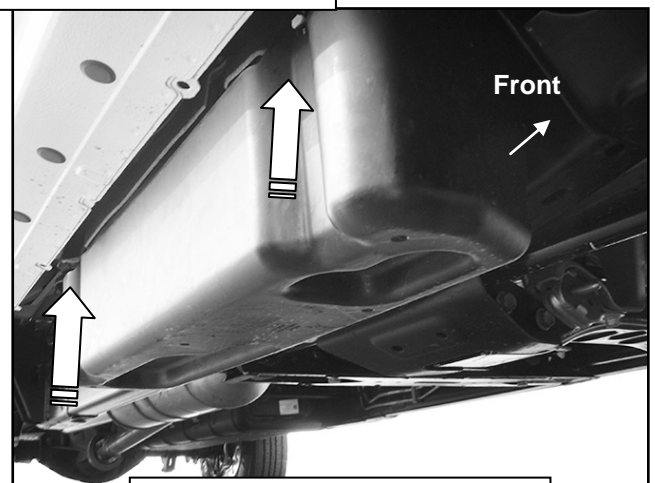
**(Fig 7) Attach the Running Board to the rear faces of the Mounting Brackets**

Passenger/Right Side Installation Pictured

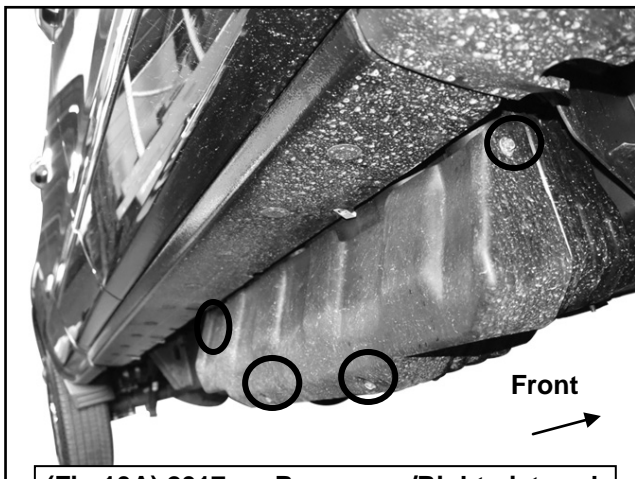


(Fig 8) 07-16 Passenger/Right front pictured with DEF tank cover. Remove (3) hex bolts to remove cover

Remove (2) factory bolts to remove tank straps



(Fig 9) 07-16 Passenger/Right DEF tank and cover

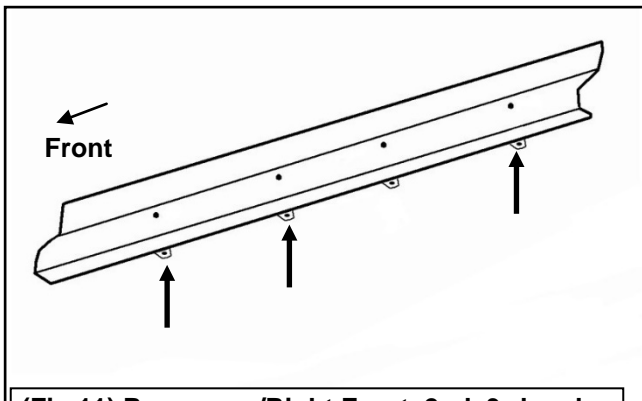


(Fig 10A) 2017-on Passenger/Right pictured with DEF plastic tank cover. Remove (4) hex bolts to remove plastic cover

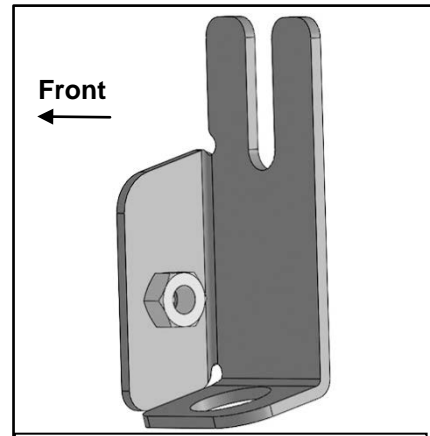


(Fig 10B) 2017-on Passenger/Right DEF cover

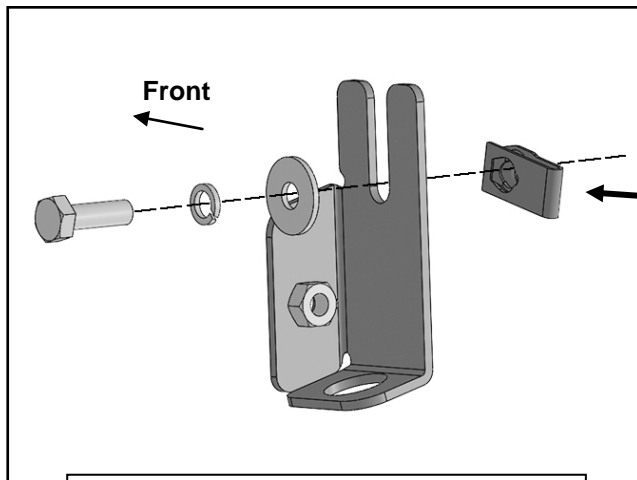
**Passenger/Right side Installation Pictured**



**(Fig 11) Passenger/Right Front, 2nd, 3rd and Rear bracket location from back of body panel**



**(Fig 12) Passenger/Right Front Upper Bracket (all models)**

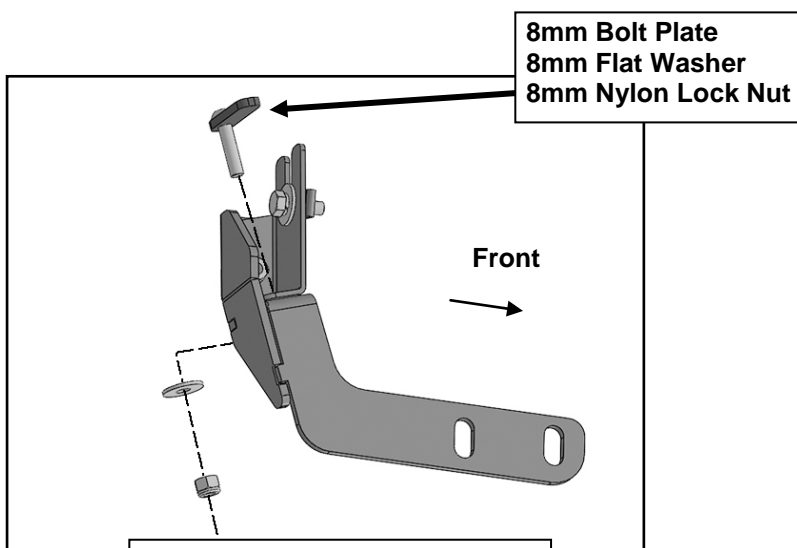


**(Fig 13) Slide Upper Bracket over weld nut if equipped-also see Figure 2**

- 8mm x 25mm Hex Bolt
- 8mm Lock Washer
- 8mm Flat Washer
- 8mm Clip Nut



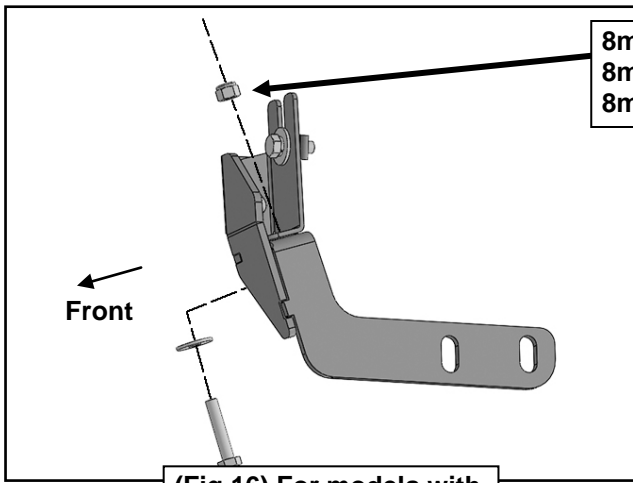
**(Fig 14) 8mm x 35mm Bolt Plate**



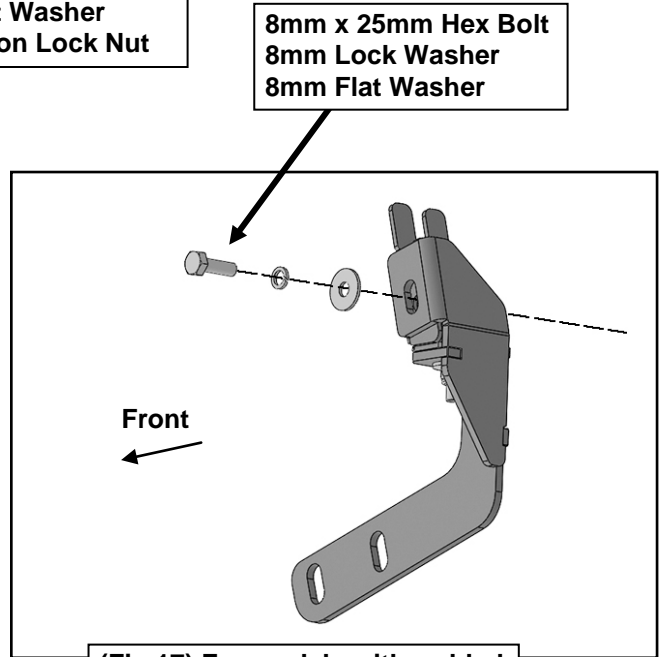
**(Fig 15) Passenger/Right Front Lower Bracket (all models)**

**RS Running Boards**  
**2007-2018 Chevy Silverado 1500 / GMC Sierra 1500 - Extended Cab/Double Cab**  
**2007-2019 Chevy Silverado 2500/3500 / GMC Sierra 2500/3500 - Extended Cab/Double Cab**

**Passenger/Right side Installation Pictured**



**(Fig 16) For models with a hole in the pinch weld**



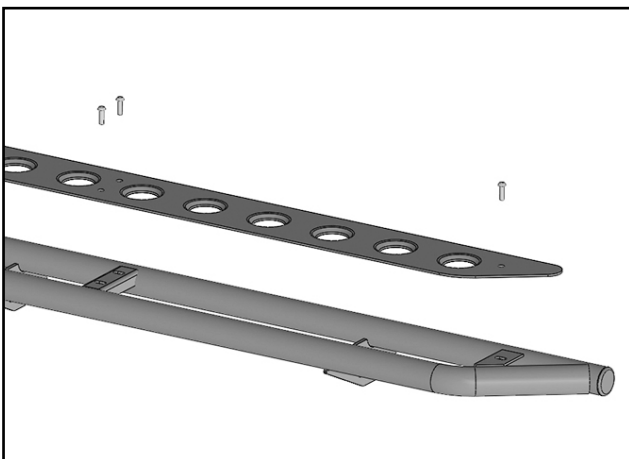
**(Fig 17) For models with welded nut in the pinch weld**



**(Fig 18A) 2017-on DEF tank Mark for cut is approximately 70mm x 10mm**



**(Fig 18B) 2017-on Passenger DEF cut for example only**



**(Fig 19) (Optional) Remove the platform on both Running Boards to switch the boards for treads on top of the platforms for less slipping**