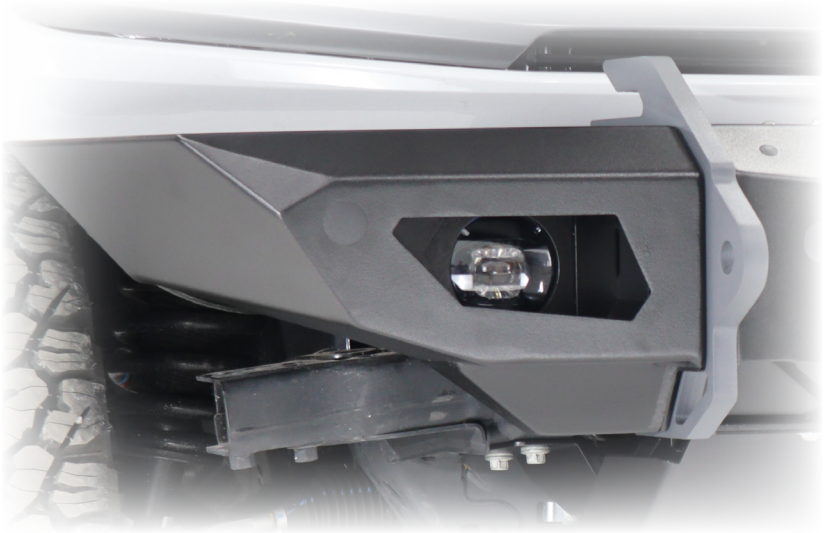




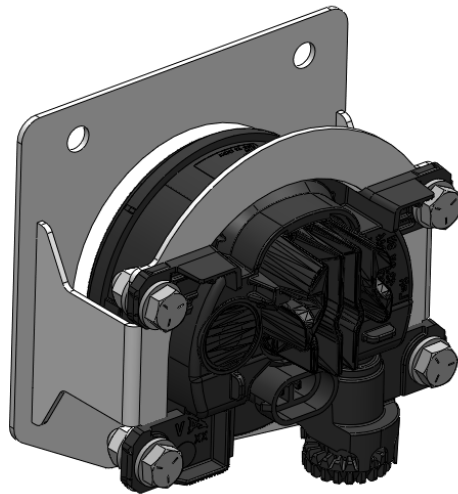
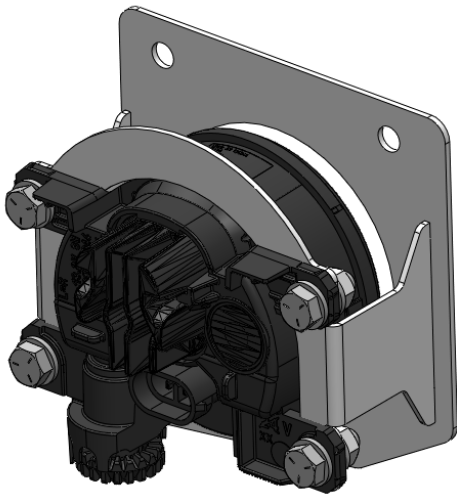
BLACK-OPS SERIES

BRONCO

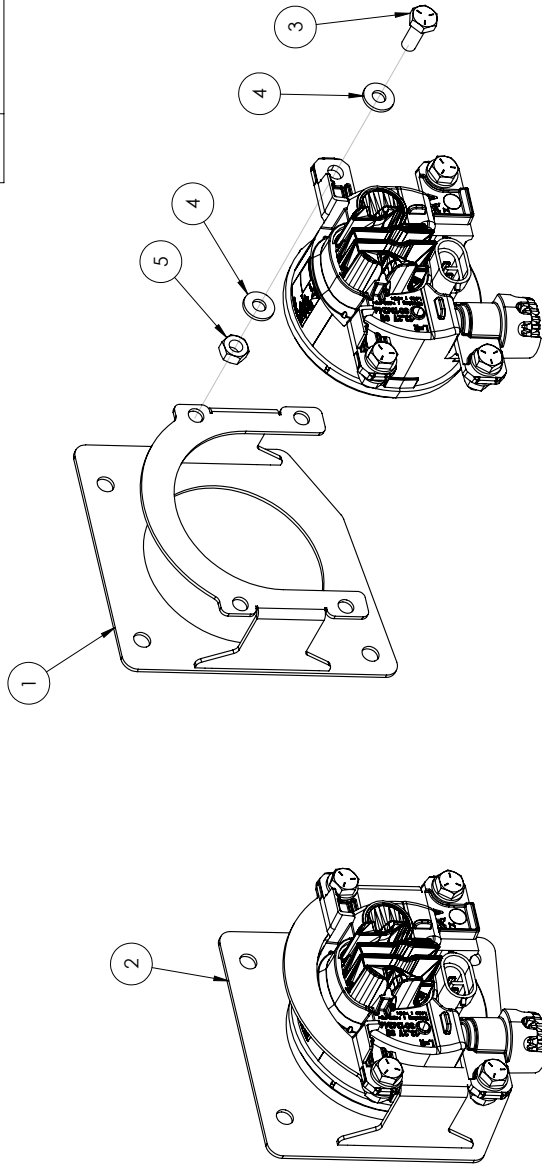
BLACK OPS OEM FOG LIGHT
BEZELS



VERIFY YOU HAVE ALL THE COMPONENTS BEFORE STARTING THE INSTALLATION. REFER TO THE ENGINEERING DRAWINGS AT THE END OF THIS DOCUMENT FOR A COMPLETE PARTS LIST



ITEM NO.	PART NUMBER	DESCRIPTION	QTY.
1	4AFL2021-01	BRONCO OEM FOG LIGHT BEZEL - PS	1
2	4AFL2021-02	BRONCO OEM FOG LIGHT BEZEL - DS	1
3	HB252012ZPGR5	HEX BOLT 1/4-20 X .75 HEX BOLT ZINC PLATE GR5	8
4	FW1209ZP	FLAT WASHER #12 X .56" ZINC PLATED	16
5	HN2520ZPGR5	HEX NUT 1/4-20 ZINC PLATED GR5	8



BRONCO FOG LIGHTS NOT INCLUDED

- NOTES:**
1. AFL2020 = BARE STEEL OPTION
2. AFL2021 = BLACK POWDER COAT

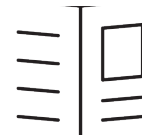
UNLESS OTHERWISE SPECIFIED:		NAME	DATE	
DIMENSIONS ARE IN INCHES		MCH	12/29/2021	
TOLERANCES: ±0.010	DRAWN	DESCRIPTION:		
ANGULAR: MACH	CHECKED	2021 BRONCO FOG LIGHT BEZELS		
THREE PLACE DECIMAL ±0.005	ENG APPR.	MATERIAL:		
	MFG APPR.	N/A		
PROPRIETARY AND CONFIDENTIAL		THE INFORMATION CONTAINED IN THIS DRAWING IS THE PROPERTY OF LOD LLC. ANY REPRODUCTION IN PART OR AS A WHOLE WITHOUT THE WRITTEN PERMISSION OF LOD LLC IS PROHIBITED.		
DWG. NO. AFL2020		SCALE: 1:2		SHEET 1 OF 1
AFL2021		SHEET SIZE: B		REV A



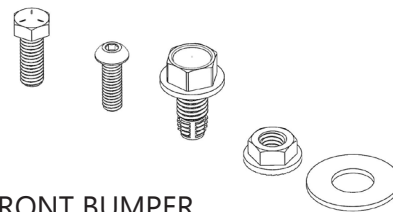
BLACK-OPS SERIES

BRONCO

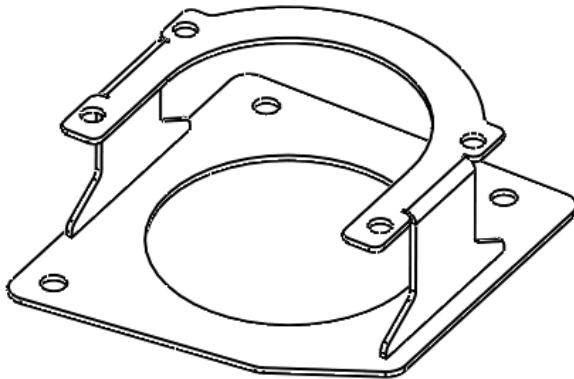
BLACK OPS OEM FOG LIGHT
BEZELS



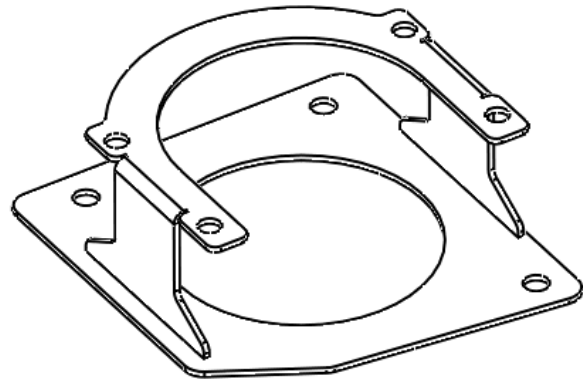
INSTRUCTION
SHEET



FRONT BUMPER
CENTER BOLT KIT
AFL2020-BK
(x1)



BRONCO OEM FOG LIGHT BEZEL - PS
4AFL2021-01
(x1)



BRONCO OEM FOG LIGHT BEZEL - DS
4AFL2021-02
(x1)

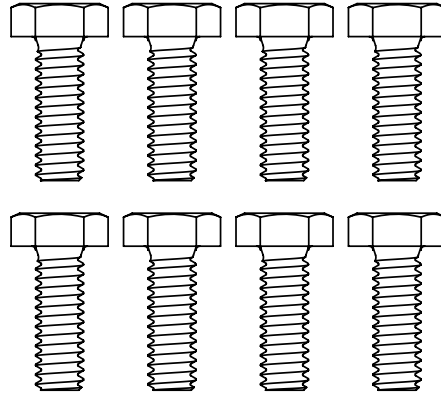




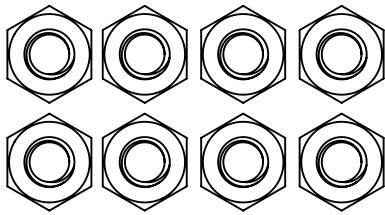
**BRONCO
BLACK-OPS SERIES**
OEM FOG LIGHT BEZEL
Bolt Kit
AFL2020-BK

Packaged by:

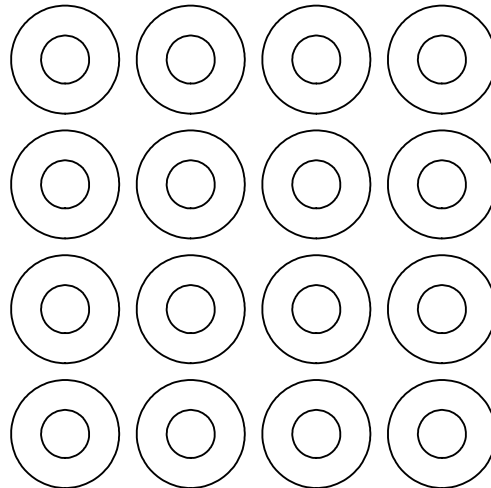
On:



HEX BOLT 1/4-20 X 0.75"
(0137486)
(x8)



HEX NUT 1/4-20
(36302)
(x8)



FLAT WASHER
#12 X 0.56"
(33076)
(x16)

