



DESTROYER SERIES

BRONCO

2021 BRONCO
TRAILER HITCH PLUG
MOUNT



VERIFY YOU HAVE ALL THE COMPONENTS BEFORE STARTING THE INSTALLATION. REFER TO THE ENGINEERING DRAWINGS AT THE END OF THIS DOCUMENT FOR A COMPLETE PARTS LIST

To install your trailer plug, due to the thickness of the metal on your Plug Mount you may need to bend the metal clips outward for a snug fit. Use a screwdriver to bend the metal clips.

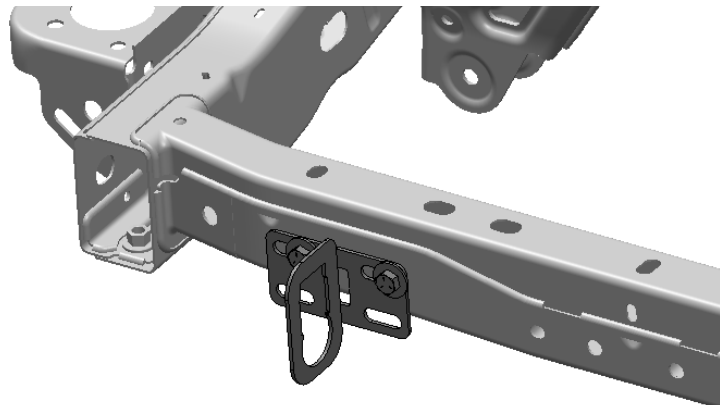
Do this for both metal clips and test fit the trailer plug in your Plug Mount.



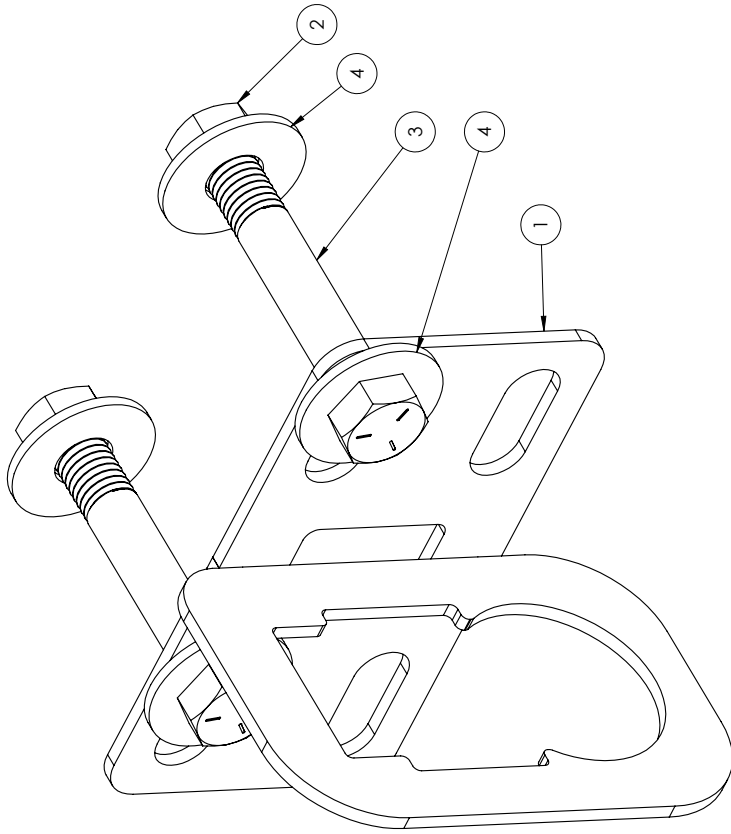
The Trailer Hitch Plug Mount was designed to mount directly to the frame on the drivers side of the rear crossmember as shown here.

However the slotted hole pattern on the mount will allow you to install Plug Mount in several locations to suit your needs.

The supplied Hex Bolts, Nuts and Washers will allow you to install the Plug Mount as shown. You may need to purchase additional hardware if you intend to mount the Plug in any other position.



ITEM NO.	PART NUMBER	DESCRIPTION	QTY.
1	4BBR2100-01	HITCH PLUG MOUNT	1
2	HN5013ZPGR5	HEX NUT 1/2-13 ZINC PLATE GR5	2
3	HB501356ZPGR5	HEX BOLT 1/2-13 X 3.50 HEX BOLT ZINC PLATE GR5	2
4	FW5022ZP	FLAT WASHER Ø1/2" X 1.375" ZINC PLATE	4



- NOTES:**
- BBR2100 = BARE STEEL OPTION
 - BBR2101 = BLACK POWDER COAT
 - WEIGHT = APPROX 1 LBS

UNLESS OTHERWISE SPECIFIED:		NAME	DATE
DRAWN	MCH	LOD LLC.	7/8/2022
CHECKED		DESCRIPTION:	
ANGULAR DIMS:	±0.015	TRAIL HITCH PLUG MOUNT	
LINE DIMS:	±0.015		
THREE PLACE DECIMAL	±0.005		
MFG APPR.			
MATERIAL:			
N/A			
THE INFORMATION CONTAINED IN THIS DRAWING IS THE PROPERTY OF LOD LLC. ANY REPRODUCTION IN PART OR AS A WHOLE WITHOUT THE WRITTEN PERMISSION OF LOD LLC IS PROHIBITED.		DWG. NO.	BBR2100 BBR2101
SEE NOTES		SCALE: 1:1	SHEET SIZE: B
		REV	A
			SHEET 1 OF 1

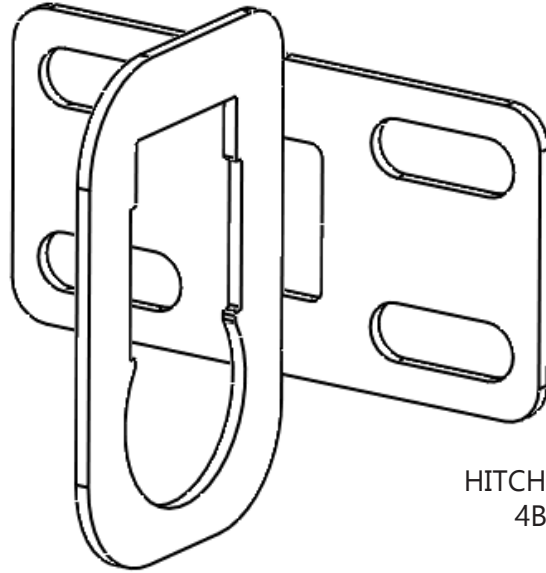




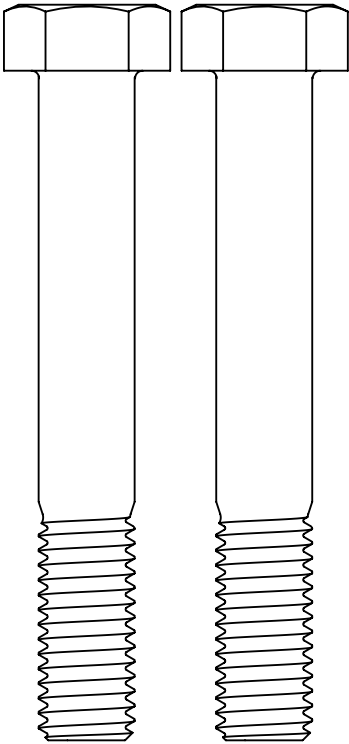
**2021 BRONCO
DESTROYER SERIES**
TRAILER HITCH
PLUG MOUNT
SHIPPING SHEET

Packaged by:

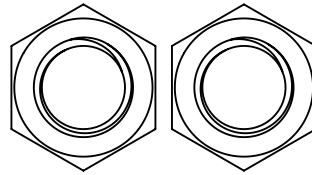
On:



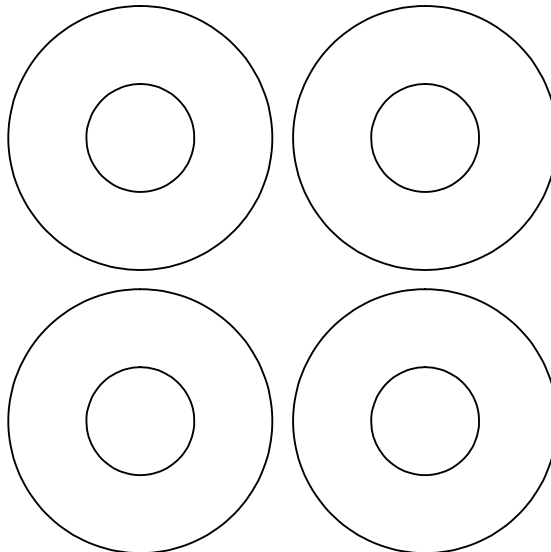
HITCH PLUG MOUNT
4BBR2100-01
(x1)



HEX BOLT 1/2-13 X 3.50"
(113217)
(x2)



HEX NUT 1/2-13
(0147968)
(x2)



FLAT WASHER
Ø1/2" X 1.375"
(0159681)
(x4)

