



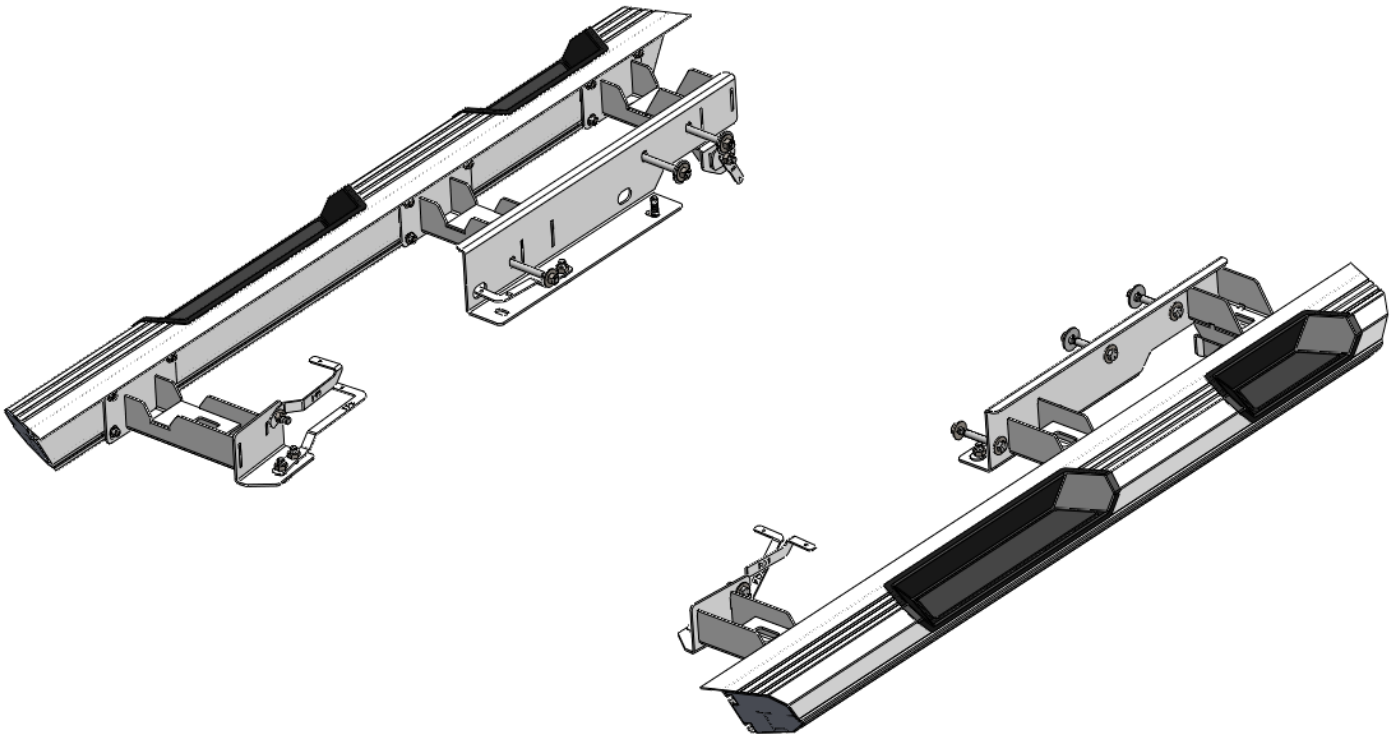
ARMOR LITE SERIES

BRONCO

BRONCO 4DR
ARMOR LITE SLIDERS



VERIFY YOU HAVE ALL THE COMPONENTS BEFORE STARTING THE INSTALLATION. REFER TO THE ENGINEERING DRAWINGS AT THE END OF THIS DOCUMENT FOR A COMPLETE PARTS LIST



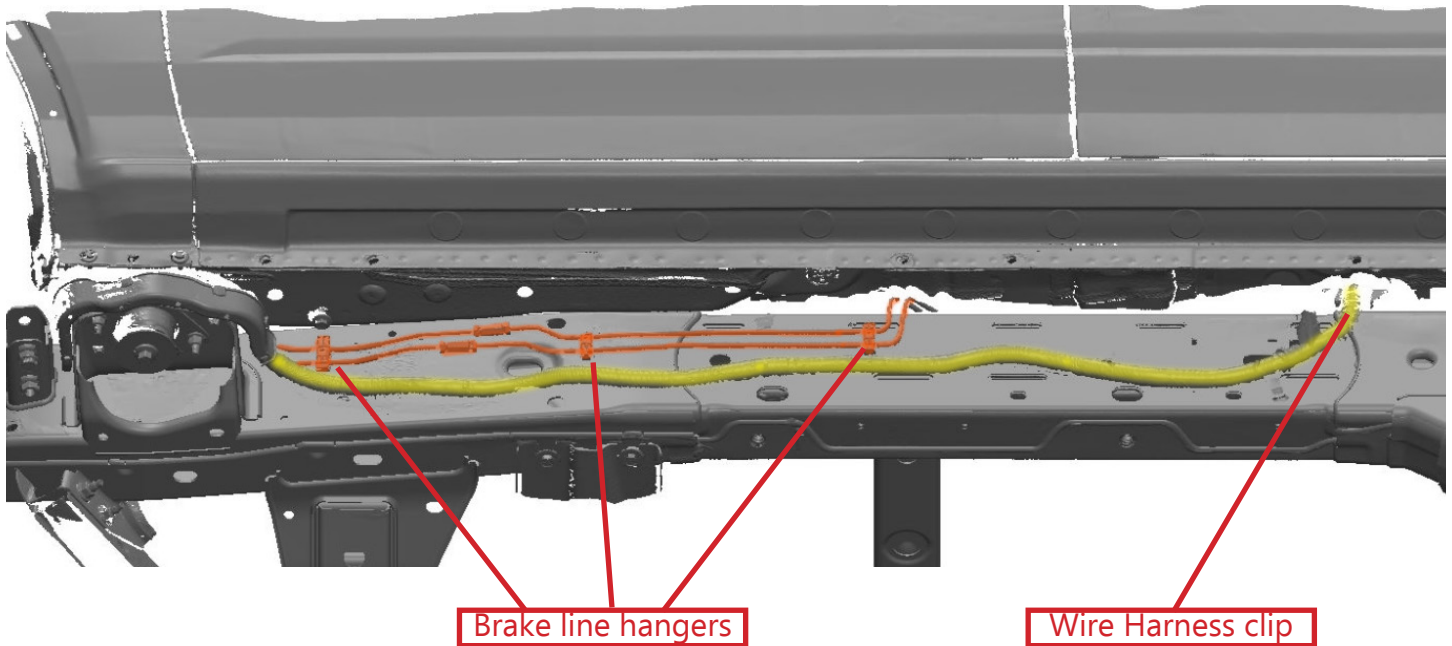
Refer to the Engineering drawing included with this document for the correct hardware required at each step of the installation. Verify you have all components before proceeding with your install. Read and understand the instructions before you start your installation.

Prep the frame before installation:

The driver side of your frame has a wire harness and some brake lines that need to be repositioned prior to installing your sliders. The image below highlights the wire harness and brake line.

Use a small pry tool or flat blade screwdriver to pry the 3 plastic hangers on the brake line from the frame. Also pry the multiple wire harness hangers from the frame.

Towards the back of the frame the wire harness loops up and over the top of the frame rail. There is a plastic clip on the wire harness that is snapped into the top of the frame rail. Push up on this plastic clip to pop it off the frame slightly. Leave everything loose while you install your sliders, you will resecure them after installation.



Check the bottom and side of your Bronco Frame where your sliders will mount. Some welds may be excessive or drippy and need to be ground flat with a hand grinder for proper slider positioning.

Use an angle grinder with a flap disc or other grinder to flatten and smooth out the welds if needed. Be sure to clean up the area after grinding and touch up with Rustoleum or equivalent spray paint to prevent rust.

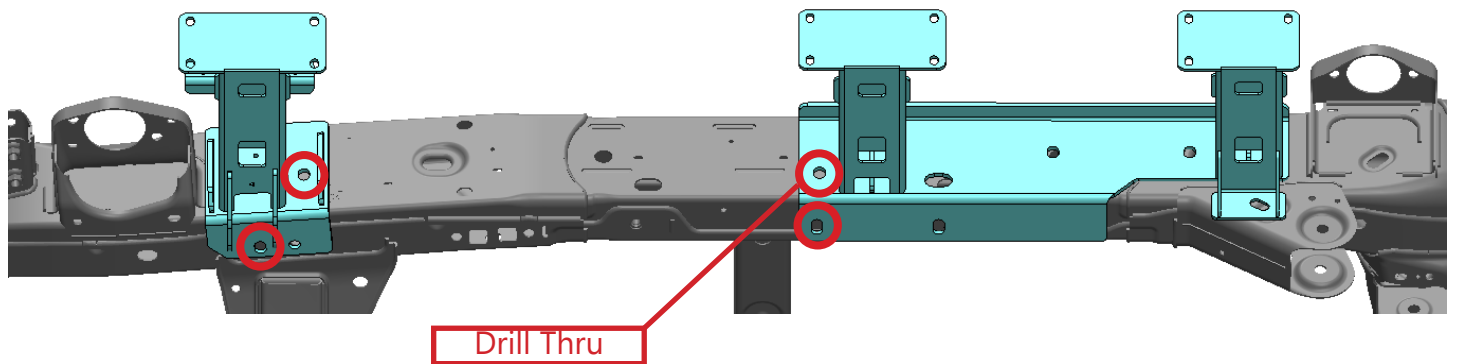
Drilling the Mounting Holes:

We recommend drilling the optional holes if you intend to use the sliders for anything more than a step. To mark the holes that need drilled you will need to temporarily install the slider mounts, then use a marker or hole punch to mark the frame. However it is possible to drill the frame with the mounts installed if you have a Right Angle Drill.

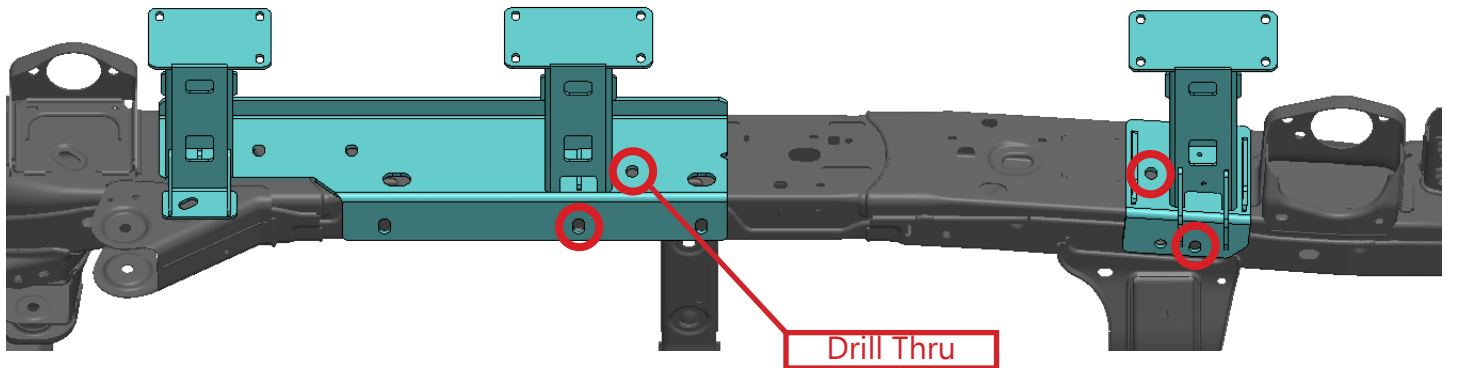
Follow the diagram below which shows the 4 holes (4 on each side) that need drilled for the driver and passenger side sliders. Two of the holes (one on each side) are marked on the diagram as "Drill Thru", these two locations you will drill thru both sides of the frame.

****Be sure to double check the backside of the frame for obstructions before drilling! Especially on the passenger side near the gas tank!****

Driver Side



Passenger Side



To temporarily mount the slider mounts, follow the mounting instructions below. Make sure you install all the bolts into the bottom of the frame rail on the front and rear mounts, and at least 1 into the side of the frame before marking the other holes for drilling. You don't need to fully tighten the bolts at this time, just make sure they are snug before marking the holes.

Once the holes are marked you can remove the slider. Use a center punch to dimple the steel at the center of each marked hole for drilling. We recommend starting with a smaller bit 3/16" or 1/4" inch and then finishing with a 1/2" drill bit.

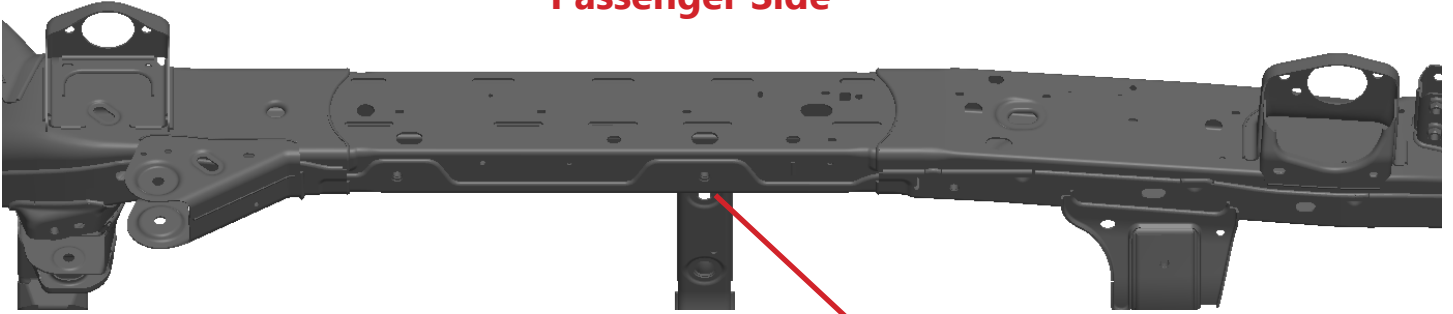
Once all the holes are drilled, clean any burrs off with a file or deburring tool. Clean the area and use a Rustoleum or equivalent spray paint to coat the drilled holes to prevent rust.

Installing the Passenger Side Slider Mounts:

Installing the sliders will require 2 people due to the size and weight of the slider.

Some of the pictures shown here are from our Signature Series Sliders, the mounting for the Destroyer Sliders is exactly the same. Start with the passenger side mounts first, they're a little easier to install because there are no brake lines or wire harness in the way.

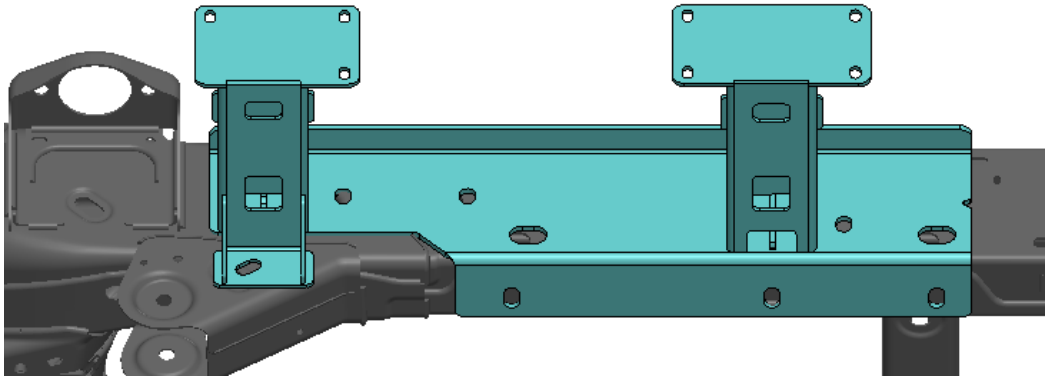
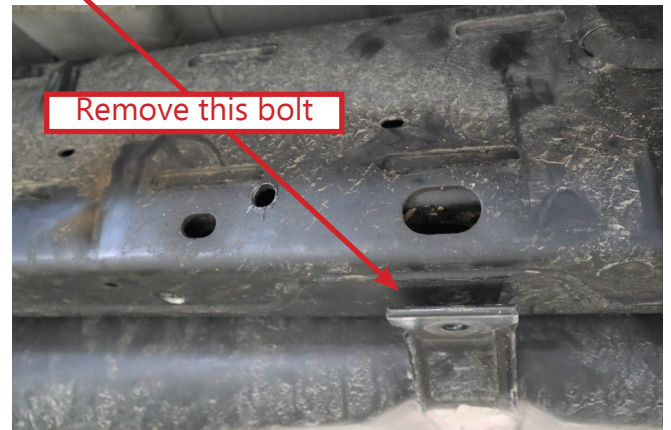
Passenger Side



Start by removing the bolt which holds the gas tank strap or skid plate in place near the center of the frame.

Pull down on the strap slightly to create a gap for the slider mount to fit into. The slider mount will fit between the strap and the frame.

If you have a gas tank skid plate, you may need to loosen several bolts to allow it to drop slightly.



Set the Passenger Rear Mount into position on the frame.

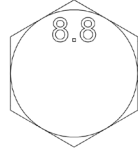
Make sure the mount fits between the gas tank strap or skid plate and the frame.

Loosely reinstall the bolt near the center support to hold the mount in place.

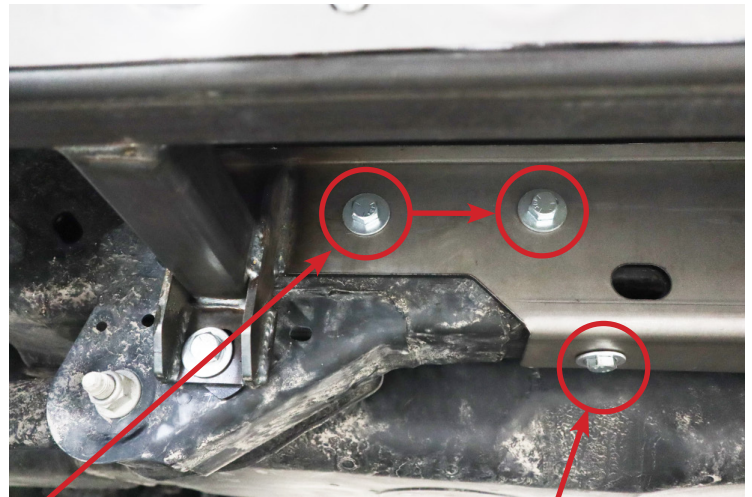


Loosely install the metric M12 x 45mm long hex bolt into the bottom of the frame. There should be a frame nut already in this position for the gas tank skid plate.

The metric bolts in your bolt kit will have the number 8.8 stamped on the head of the bolt.



If you have gas tank skid, your slider mount will fit between the skid and the frame just like in the previous step.



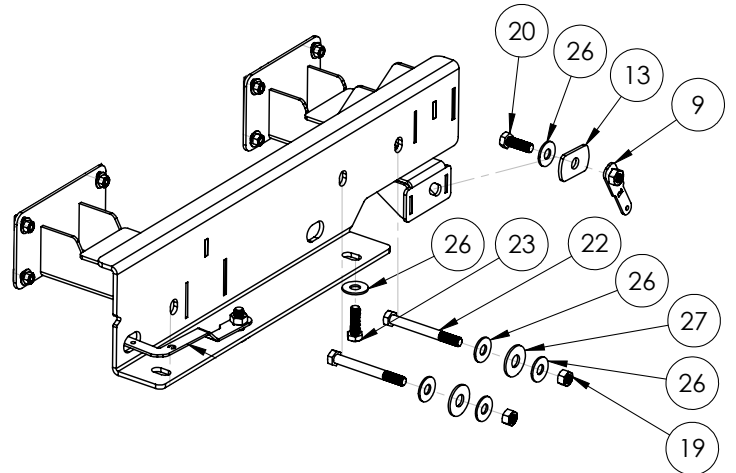
Metric M12 Bolt

DO NOT FORCE THIS BOLT IF THE THREADS ARE TIGHT. VERIFY YOU HAVE THE CORRECT BOLT BEFORE TIGHTENING.

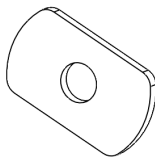
Loosely install the $\text{\O}1/2'' \times 4.50''$ long hex bolts thru the frame on the Rear Mount.

The holes in the frame in these two locations are large. You will need to use two washers on the inside of the frame. Use the larger $\text{\O}5/8''$ washer and a $\text{\O}1/2''$ washer for each bolt.

When these bolts are tightened, be sure to check that they are not rubbing the gas tank.



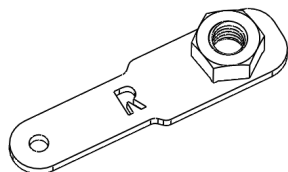
Install the large Spacer washer between your lower control arm mount and the gusset on the Rear Mount.



If your lower control arm mount has a cover or skid plate, you may not need this Spacer.

Slide the Rear Flag Nut (marked with the letter "R") inside the lower control arm mount.

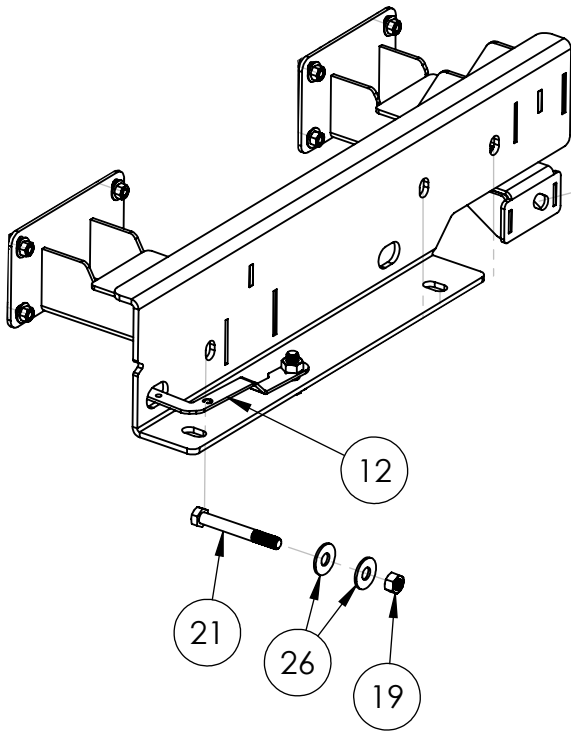
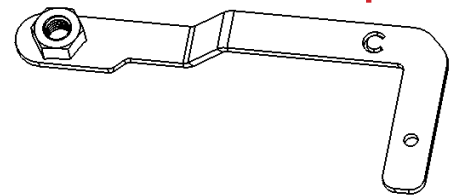
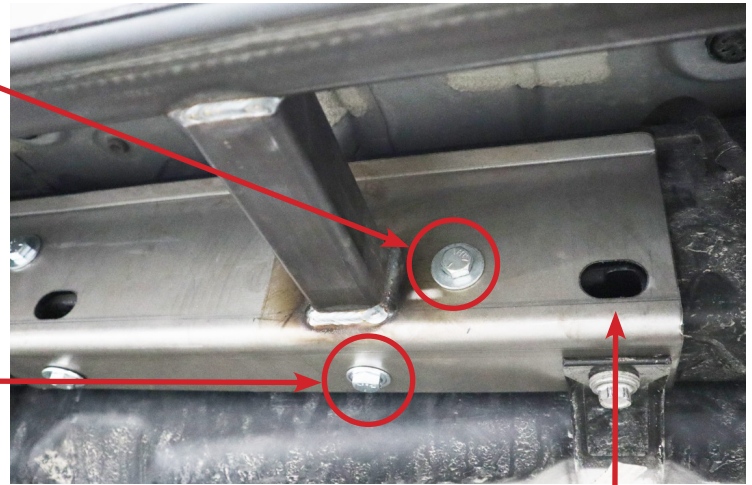
Loosely install $\text{\O}1/2'' \times 1.50''$ long hex bolt.



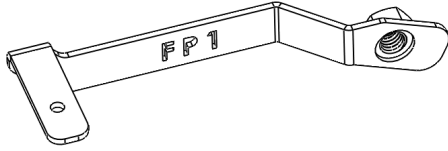
Loosely install the $\text{\O}1/2'' \times 4.00''$ long hex bolt thru the frame near the center support. (This is one of the holes that needs to be drilled)

When this bolt is tightened, be sure to check that it is not rubbing the gas tank.

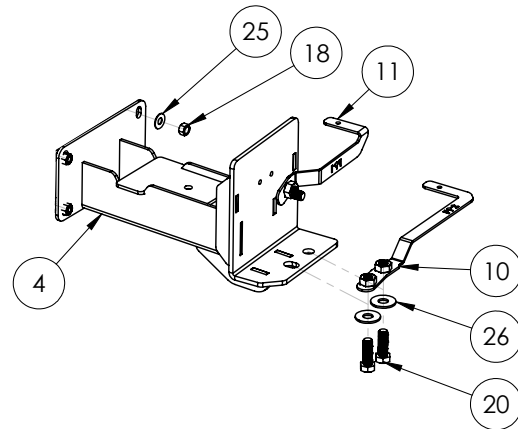
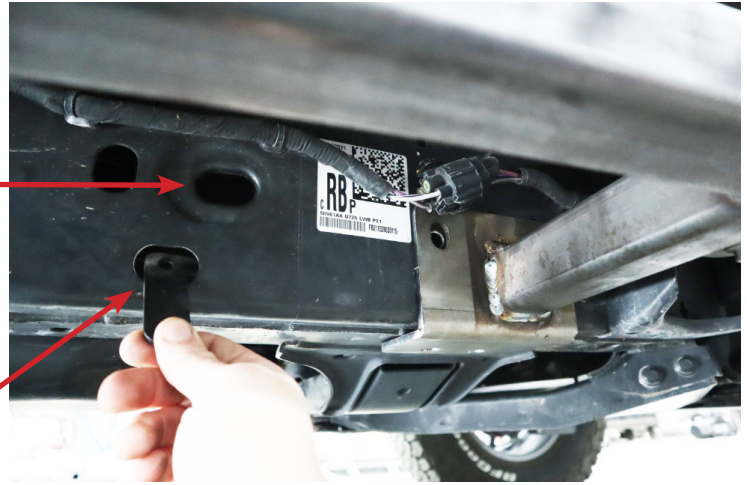
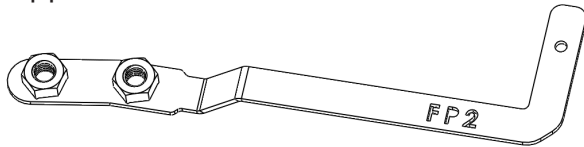
Install one of the Center Flag Nuts (marked with the letter "C") into the frame in the position shown. Then loosely install the $\text{\O}1/2'' \times 1.50''$ long hex bolt thru the bottom of the frame into the flag nut. (This is one of the holes that needs to be drilled)



Install the Front Passenger #1 Flag Nut (marked FP1) into the upper frame hole near the Front Support.



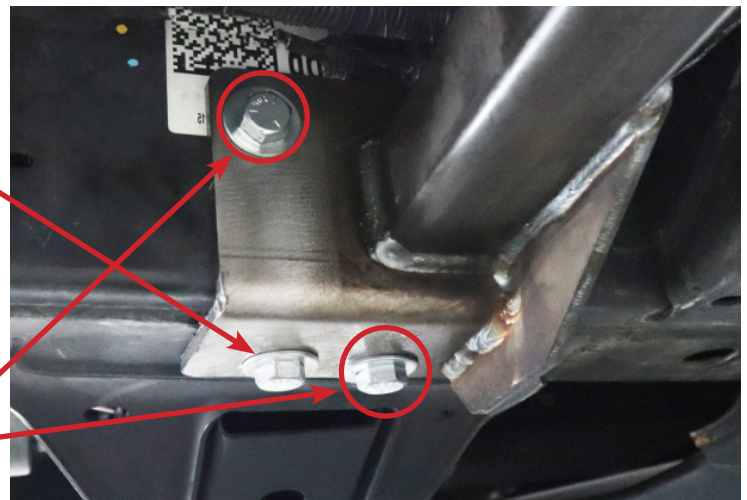
Install the Front Passenger #2 Flag Nut (marked FP2) into the lower frame hole near the Front Support.



The frame already has a hole in this position, loosely install $\text{Ø}1/2'' \times 1.50''$ long hex bolt into the flag nut marked "FP2" to hold the front mount in position.

Loosely install $\text{Ø}1/2'' \times 1.50''$ long hex bolts into all three mounting hole locations using the flag nuts provided.

(These are two of the holes that need drilled)



When you have all the bolts in place and still loose, begin tightening them by lightly snugging up the bottom bolts first, then lightly snugging up the side bolts.

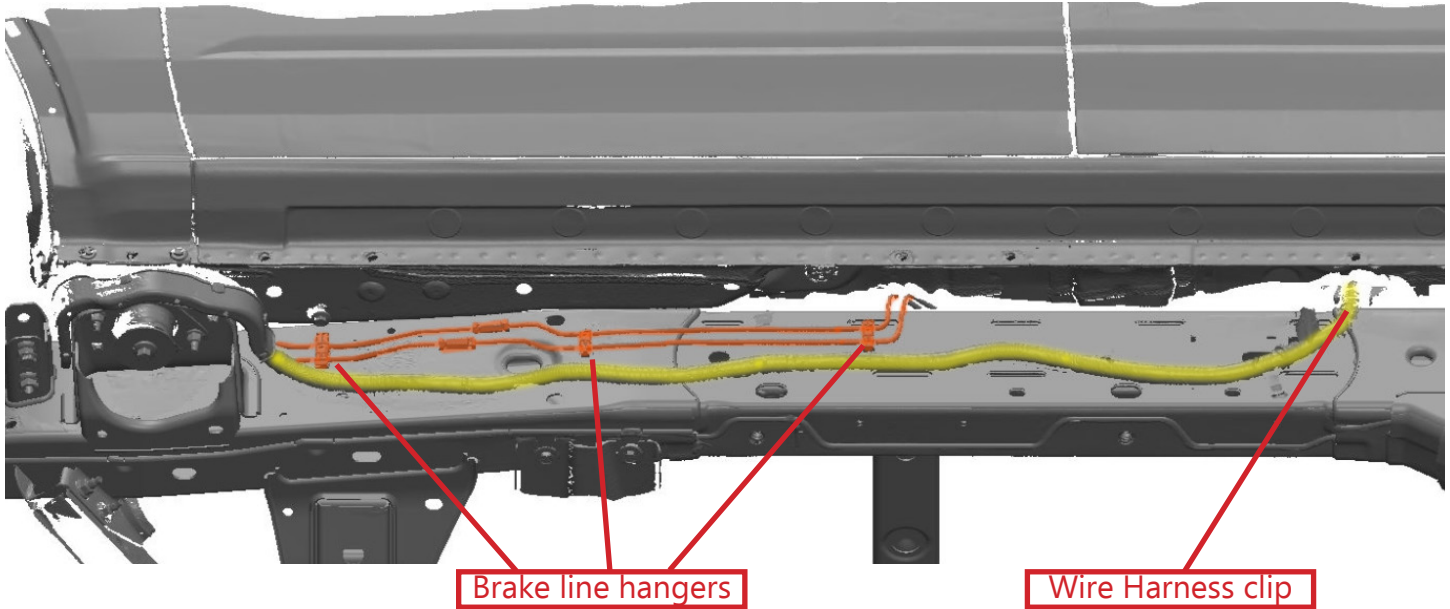
Then finish by tightening the bottom bolts securely, then the side bolts securely.

Be sure to check the side bolts near the gas tank to make sure there is no rubbing. If necessary add additional washers to the bolt head to shorten the length of the bolt.

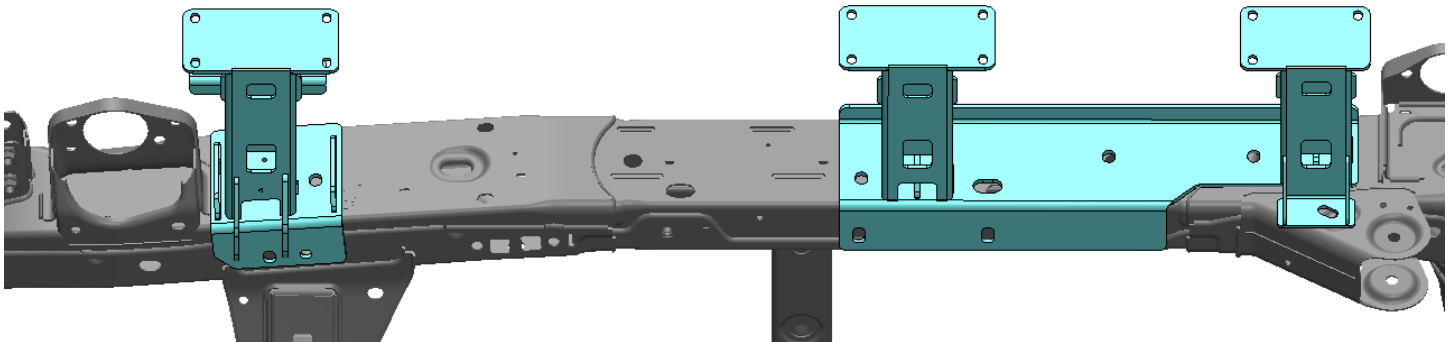
Be sure to re-secure any wire harness that was loosened during assembly.

Installing the Driver Side Slider Mounts:

Installing the driver side slider mounts is basically the same as the passenger side, just pay attention to the wire harness and brake lines while working. We zip tied our wire harness to the brake lines to help hold it out of the way.



Driver Side



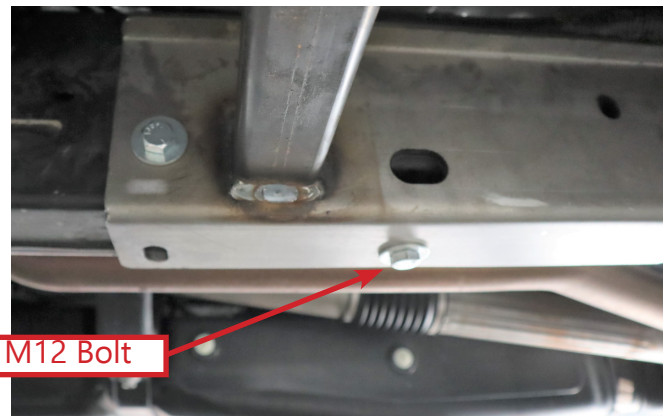
Start by placing the driver side Rear Mount into position on the frame. Make sure not to pinch the brake lines or wire harness.

Loosely install the metric M12 x 45mm long hex bolt into the bottom of the frame. There should be a frame nut already in this position.

The metric bolts in your bolt kit will have the number 8.8 stamped on the head of the bolt.



Metric M12 Bolt

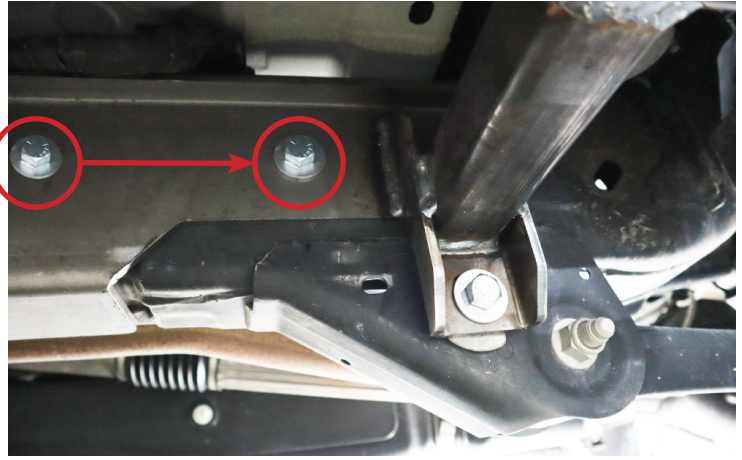


DO NOT FORCE THIS BOLT IF THE THREADS ARE TIGHT. VERIFY YOU HAVE THE CORRECT BOLT BEFORE TIGHTENING.

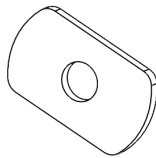
Loosely install the $\text{\O}1/2'' \times 4.50''$ long hex bolts thru the frame on the Rear Mount.

The holes in the frame in these two locations are large. You will need to use two washers on the inside of the frame. Use the larger $\text{\O}5/8''$ washer and a $\text{\O}1/2''$ washer for each bolt.

When these bolts are tightened, be sure to check that they are not rubbing the brake lines on the backside of the frame.



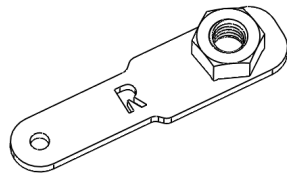
Install the large Spacer washer between your lower control arm mount and the gusset on the Rear Mount of the Slider.



If your lower control arm mount has a cover or skid plate, you may not need the Spacer.

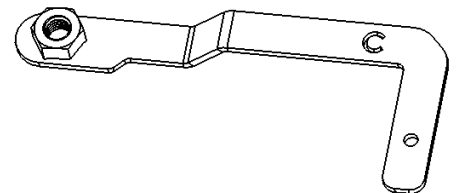
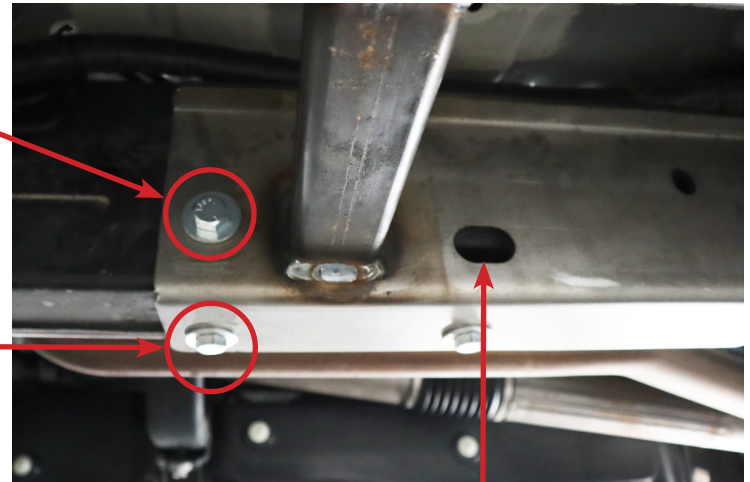
Slide the Rear Flag Nut (marked with the letter "R") inside the Lower Control Arm Mount.

Loosely install $\text{\O}1/2'' \times 1.50''$ long hex bolt.

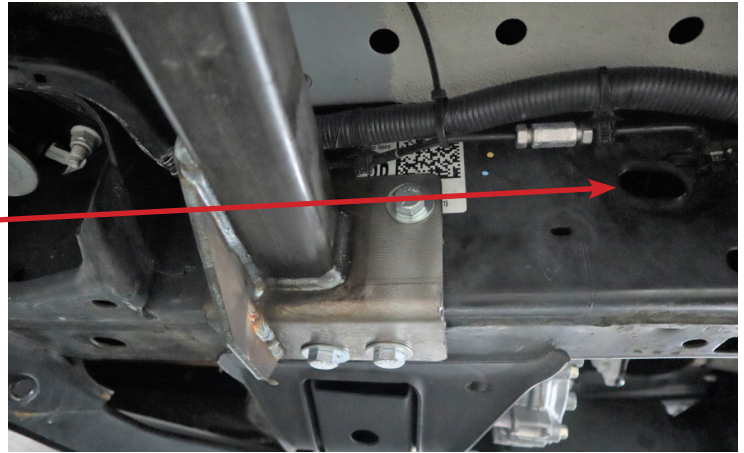


Loosely install the $\text{\O}1/2'' \times 4.50''$ long hex bolt thru the frame near the center support. **(This is one of the holes that needs to be drilled)**

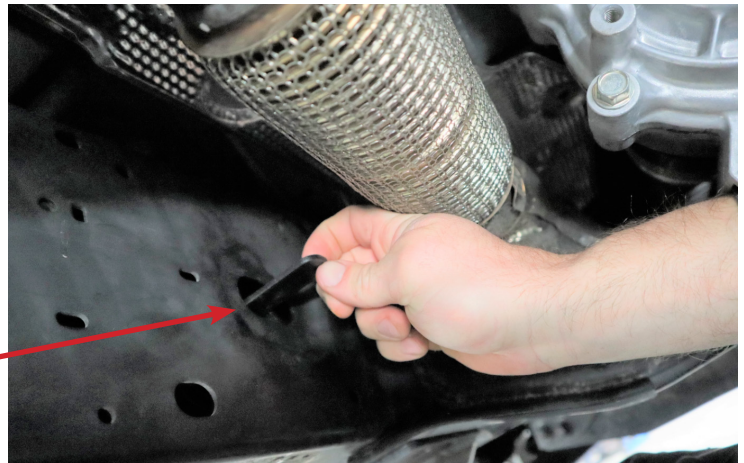
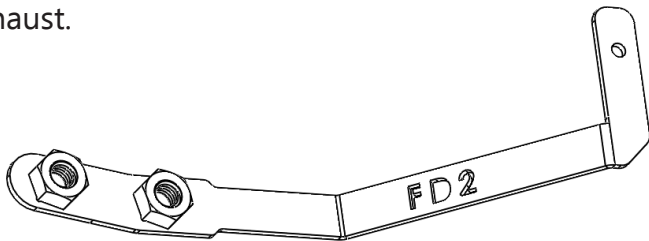
Install one of the Center Flag Nuts (marked with the letter "C") into the frame in the position shown. Then loosely install the $\text{\O}1/2'' \times 1.50''$ long hex bolt thru the bottom of the frame into the flag nut. **(This is one of the holes that needs to be drilled)**



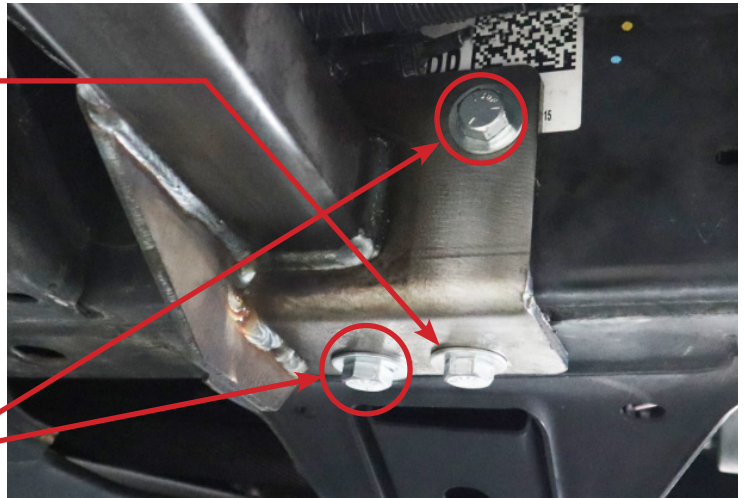
Install the Front Driver #1 Flag Nut (marked FD1) into the upper frame hole near the Front Support.



Install the Front Driver #2 Flag Nut (marked FD2) into the frame hole shown here. This hole is on the backside of the frame rail behind the front support. You can see from this picture frame hole is beside the flex pipe on your exhaust.



The frame already has a hole in this position, loosely install $\text{Ø}1/2'' \times 1.50''$ long hex bolt into the flag nut marked "FD2" to hold the front mount in position.



Loosely install $\text{Ø}1/2'' \times 1.50''$ long hex bolts into the other two mounting hole locations using the flag nuts provided.

(These are two of the holes that need drilled)

When you have all the bolts in place and still loose, begin tightening them by lightly snug-ging up the bottom bolts first, then lightly snugging up the side bolts.

Then finish by tightening the bottom bolts securely, then the side bolts securely.

Be sure to check the wire harness and brake lines while tightening to make sure they dont get pinched.

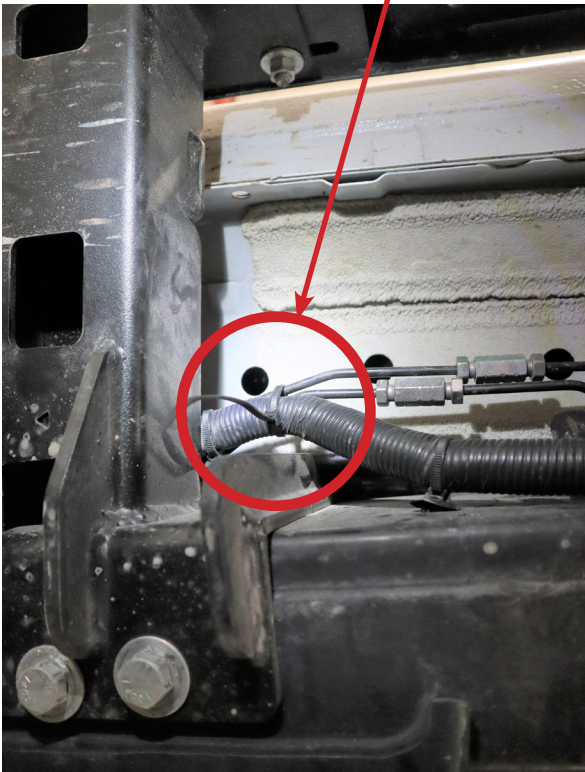
Resecure the Brake Line and Wires:

Once you have your slider mounts installed be sure to secure you brake line and wire harness. You will not be able to resecure all the plastic frame clips.

Check the brake line near the front body mount and make sure its not rubbing. You may need to partially unclip the plastic cover the wire harness travels thru to create some slack.



Here we zip tied the brake lines to the wire harness near the front mount.



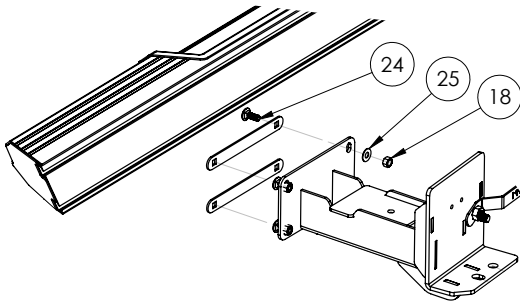
Here we left some of the frame clips loose to provide slack.



Installing the Slider Body:

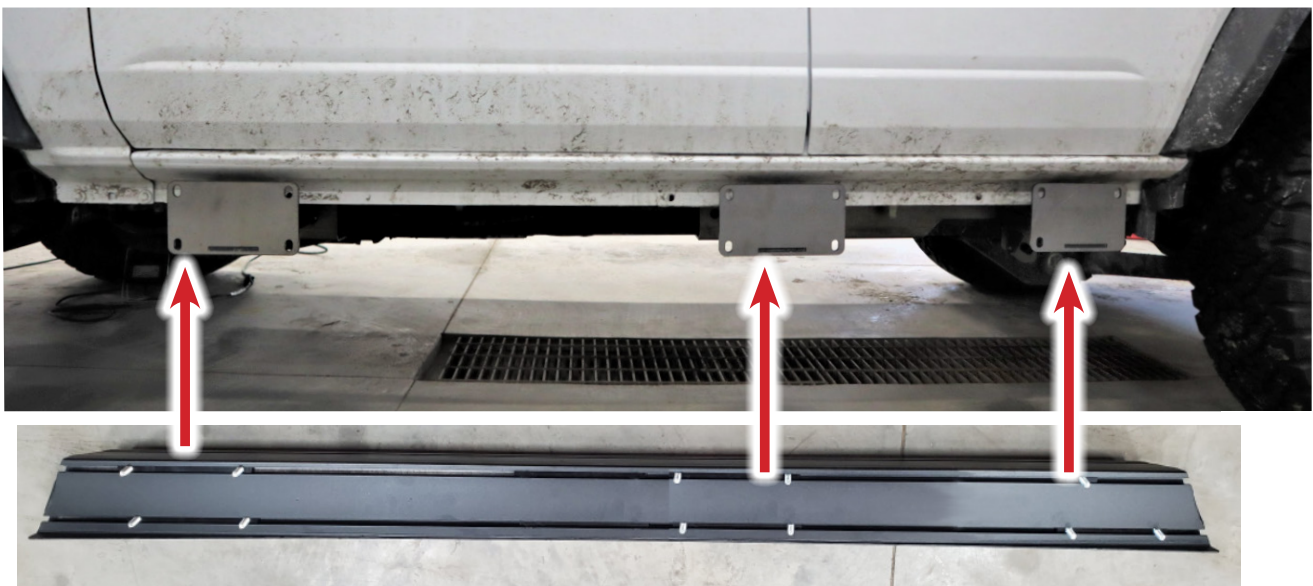
With your mounts installed and all bolts tight you can mount the Slider Body into position. The driver side is shown here, the installation will be the same for both sides.

Install 4 Double Backup Plates with Carriage Bolts as shown into the T-Slots on the back of the Armor Lite Step Assembly. Position these for the Front and Center Mounts.



Install 1 Small Double Backup Plate and 1 Single Backup Plate as shown. Position these for the Rear Mount.

Place the Slider Body up to the Mounts and hold in the position shown while a helper positions the bolt plates for each mount. Loosely install the 3/8" Hex Nut and washer onto each bolt



If necessary adjust the sliders slightly by rotating it, or moving up/down or forward/backward to center the sliders and get an even gap between the top sliders and your Bronco body.

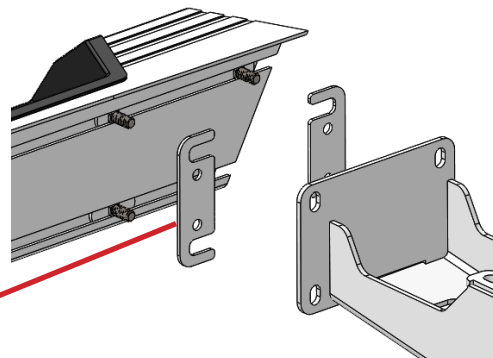
For offroad use, we recommend that the Slider Body be in its lowest position possible to provide a greater gap between the Slider Body and the Bronco rocker panel.



Once you have your Slider in the perfect position, be sure to tighten all the bolt evenly.

Every Bronco is different and due to the manufacturing process, you might find that your slider is a little too close to the body. We provide Shim Plates to help get the perfect gap. These plates can be installed without completely removing your slider. Simply loosen a few of the mounting bolts and slide the Shim Plate in where needed between the mount and back of the slider body.

Shim Plate

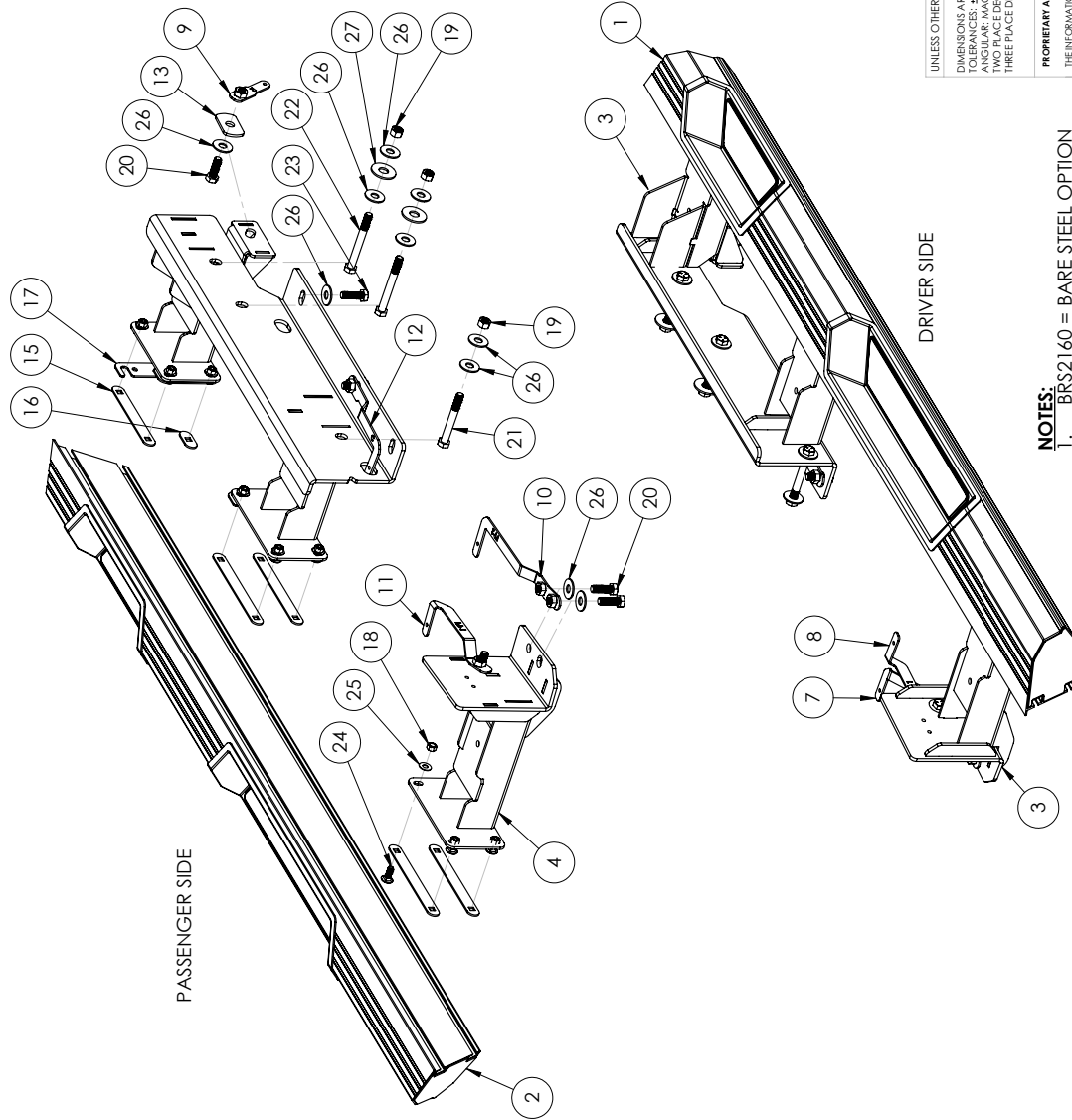


Maintenance

- Periodically check and re-tighten all fasteners.
- Periodically check your Sliders for scratches or dings which can happen over time or after heavy use or highway driving. It is important to address these areas as soon as possible to prevent flaking and corrosion or rust from spreading. We recommend using Rustoleum® brand Black Semi-Gloss Protective Enamel (oil based). Remove loose powder coating, sand the area and clean using alcohol. Apply using a foam brush by dabbing to match the powder coat texture.



ITEM NO.	PART NUMBER	DESCRIPTION	QTY.
1	4BRS2160-03	2021 BRONCO STEP ASSEMBLY - DS	1
2	4BRS2160-04	2021 BRONCO STEP ASSEMBLY - PS	1
3	4BRS2021-01	2021 BRONCO FRONT MOUNT - DS	1
4	4BRS2021-03	2021 BRONCO FRONT MOUNT - PS	1
5	4BRS2021-02	BRONCO FULL REAR MOUNT - DS	1
6	4BRS2021-04	BRONCO FULL REAR MOUNT - PS	1
7	4BRS2021-05	FRONT LOWER FLAG NUT - DS	1
8	4BRS2021-06	FRONT SIDE FLAG NUT - DS	1
9	4BRS2021-07	REAR FLAG NUT	2
10	4BRS2021-08	FRONT LOWER FLAG NUT - PS	1
11	4BRS2021-09	FRONT SIDE FLAG NUT - PS	1
12	4BRS2021-10	CENTER FLAG NUT	2
13	2BRS2021-21	REAR MOUNT SPACER	2
14	2JRS1860-15	DOUBLE BACKUP PLATE	8
15	2JRS1860-23	DOUBLE BACKUP PLATE SMALL	2
16	2JRS1860-24	SINGLE BACKUP PLATE	2
17	2JRS1860-29	MOUNT SHIM PLATE	2
18	HN3816ZPGR5	HEX NUT 3/8-16 ZINC PLATE GR5	22
19	HN5013ZPGR5	HEX NUT 1/2-13 ZINC PLATE GR5	6
20	HB501324ZPGR5	HEX BOLT 1/2-13 X 1.50 HEX BOLT ZINC PLATE GR5	10
21	HB501364ZPGR5	HEX BOLT 1/2-13 X 4.00 HEX BOLT ZINC PLATE GR5	1
22	HB501372ZPGR5	HEX BOLT 1/2-13 X 4.50 HEX BOLT ZINC PLATE GR5	5
23	HB12175M40ZPCL88	HEX BOLT M12-1.75 X 40mm ZINC PLATE CL8.8	2
24	CB381616ZPGR5	CARRIAGE BOLT 3/8-16 X 1.00 ZINC PLATE GR5	22
25	FW3114ZP	FLAT WASHER Ø5/16" X .875" ZINC PLATE	22
26	FW5022ZP	FLAT WASHER Ø1/2" X 1.375" ZINC PLATE	24
27	FW6228ZP	FLAT WASHER Ø5/8" X 1.75" ZINC PLATE	4



DRIVER SIDE

- NOTES:**
1. BRS2160 = BARE STEEL OPTION
 2. BRS2161 = BLACK POWDER COAT
 3. WEIGHT = APPROX 112 LBS

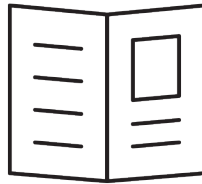
UNLESS OTHERWISE SPECIFIED: DIMENSIONS ARE IN INCHES TOLERANCES: ±0.010 ANGULAR: MACH 1:1 TWO PLACE DECIMAL THREE PLACE DECIMAL ±0.005	DRAWN CHECKED ENG APPR. MFG APPR.	NAME MCH	DATE 3/8/2022
PROPRIETARY AND CONFIDENTIAL			
THE INFORMATION CONTAINED IN THIS DRAWING IS THE SOLE PROPERTY OF LOD LLC. ANY REPRODUCTION OR TRANSMISSION OF THIS DRAWING WITHOUT THE WRITTEN PERMISSION OF LOD LLC IS PROHIBITED.			
LOD LLC.		DESCRIPTION: 2021 BRONCO ARMOR LITE SLIDERS	
DWG. NO. BRS2160 BRS2161		REV B	
SCALE: 1:8		SHEET SIZE: B	
		SHEET 1 OF 1	



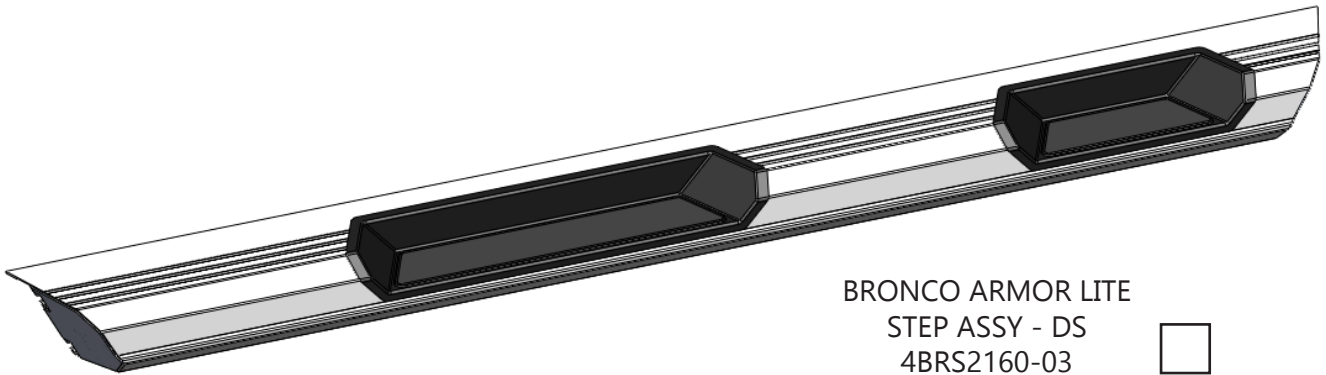
BRONCO
ARMOR LITE SERIES
 BRONCO 4DR ARMOR LITE
 SLIDERS
 SHIPPING SHEET - 1

Packaged by:

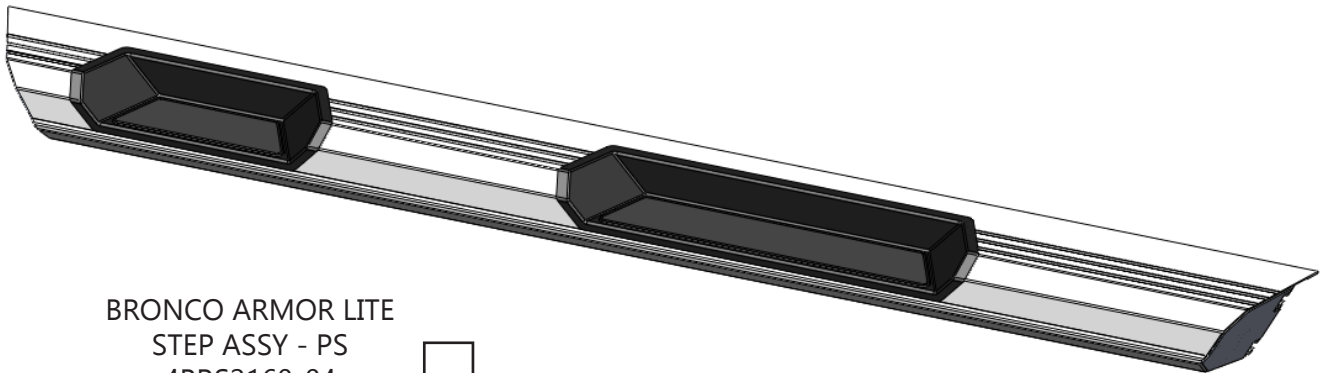
On:



INSTRUCTION
 SHEET



BRONCO ARMOR LITE
 STEP ASSY - DS
 4BRS2160-03
(x1)



BRONCO ARMOR LITE
 STEP ASSY - PS
 4BRS2160-04
(x1)

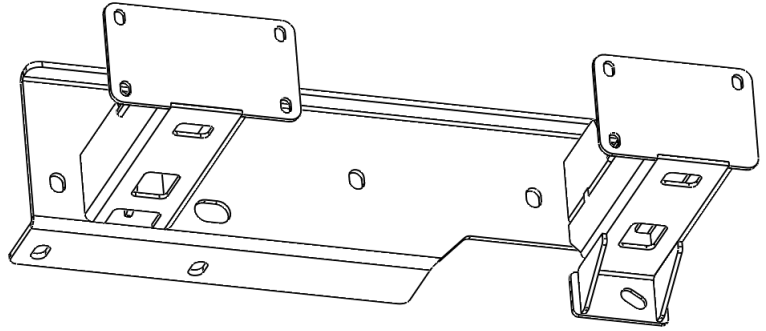




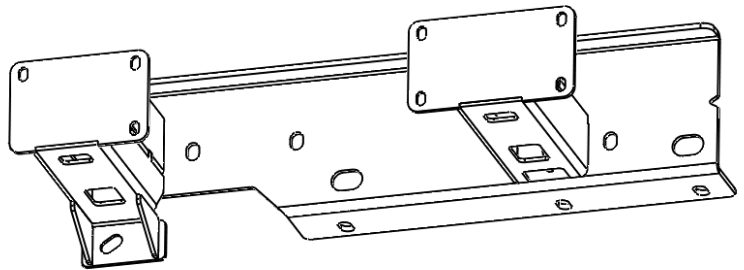
BRONCO
ARMOR LITE SERIES
 BRONCO 4DR ARMOR LITE
 SLIDERS
 SHIPPING SHEET - 2

Packaged by:

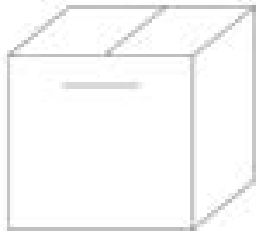
On:



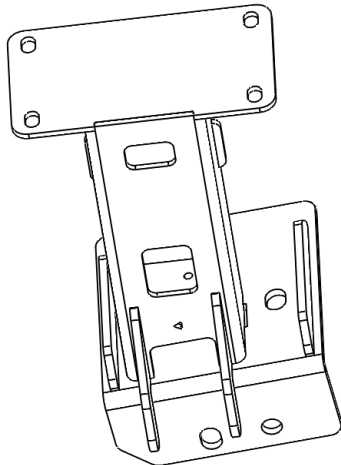
BRONCO FULL REAR MOUNT - DS
 4BRS2021-02
(x1)



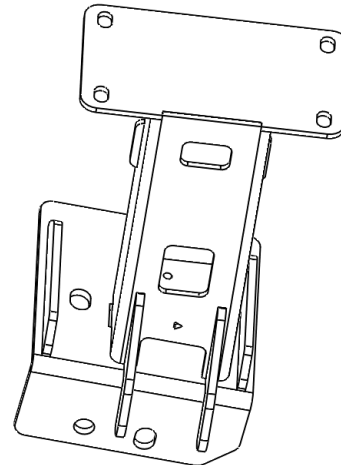
BRONCO FULL REAR MOUNT - PS
 4BRS2021-04
(x1)



Hardware Kit



BRONCO FRONT MOUNT - DS
 4BRS2021-01
(x1)



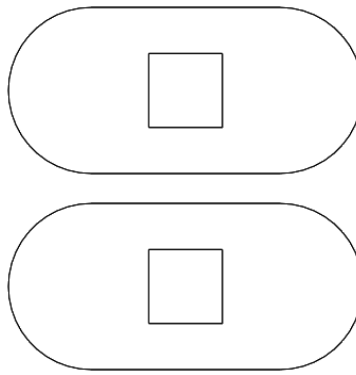
BRONCO FRONT MOUNT - PS
 4BRS2021-03
(x1)



BRONCO
ARMOR LITE SERIES
 BRONCO 4DR ARMOR LITE
 SLIDERS
 HARDWARE KIT

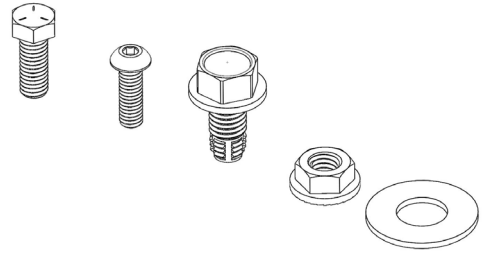
Packaged by:

On:

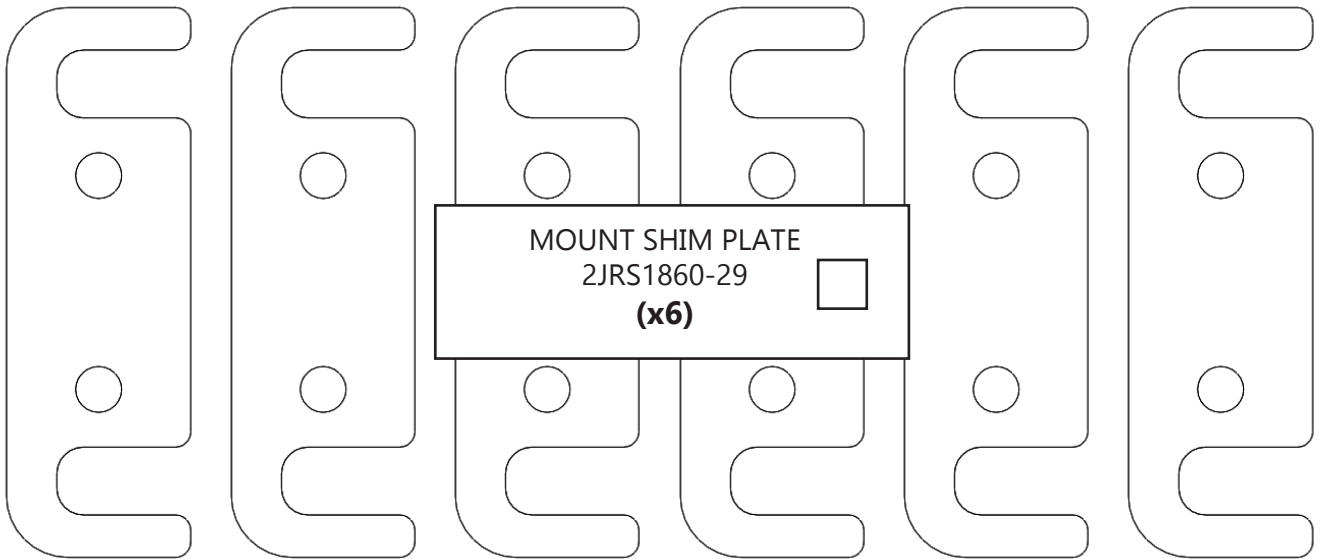


SINGLE BACKUP PLATE
 2JRS1860-24

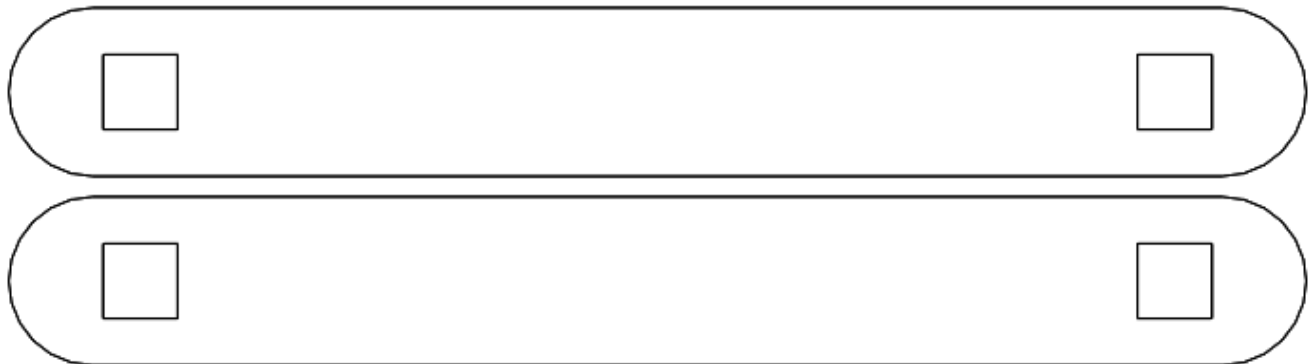
(x2)



BOLT KIT
 (may vary)



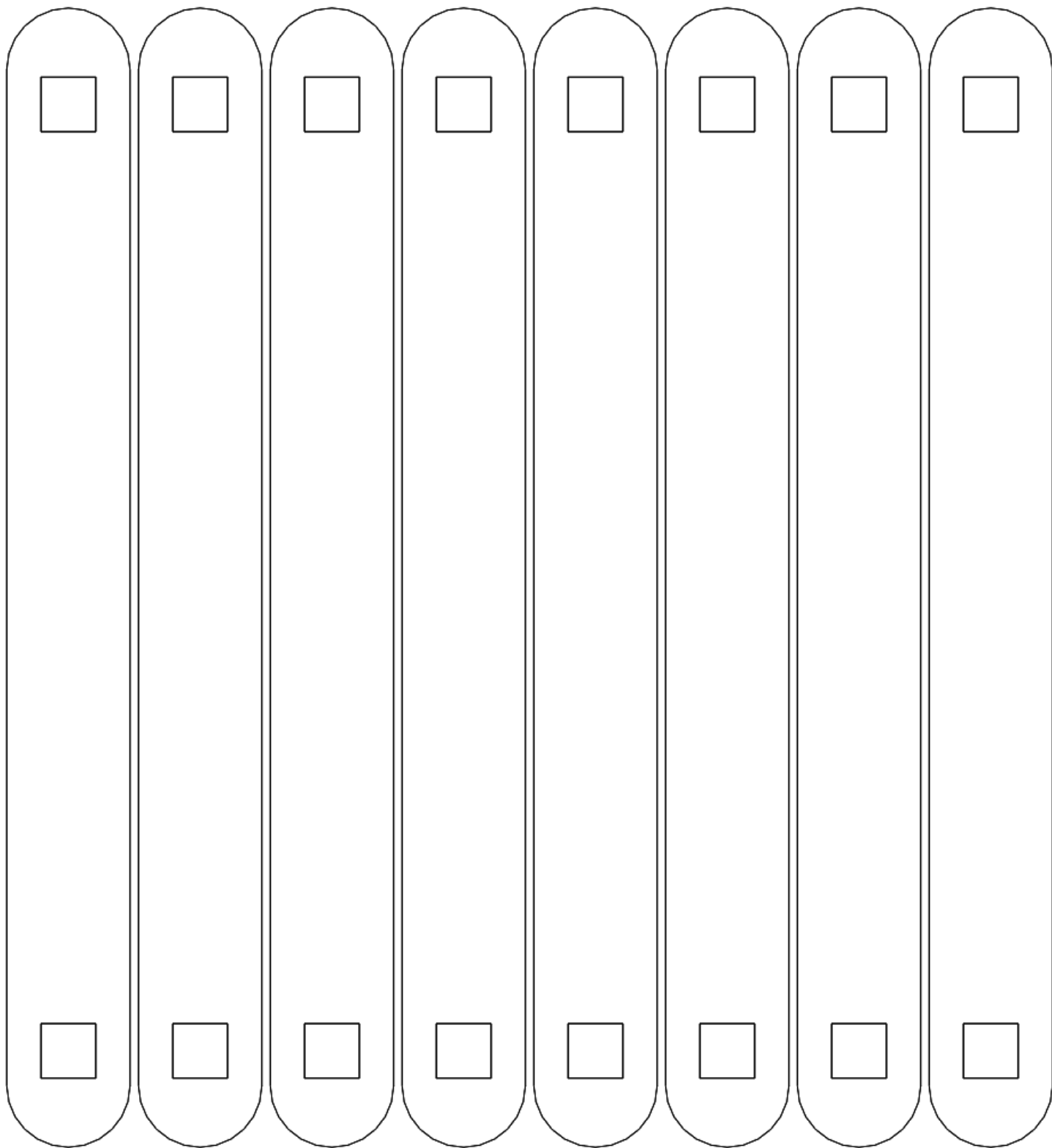
MOUNT SHIM PLATE
 2JRS1860-29
(x6)



DOUBLE BACKUP PLATE SMALL
 2JRS1860-23

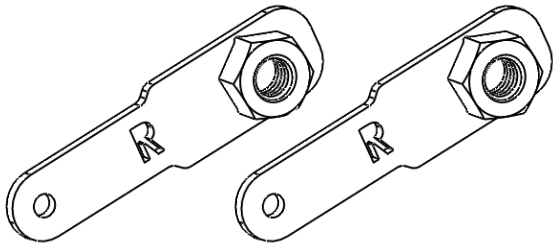
(x2)



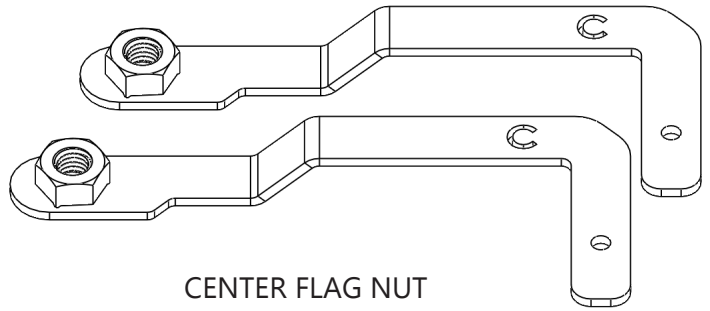


DOUBLE BACKUP PLATE
2JRS1860-15
(x8)

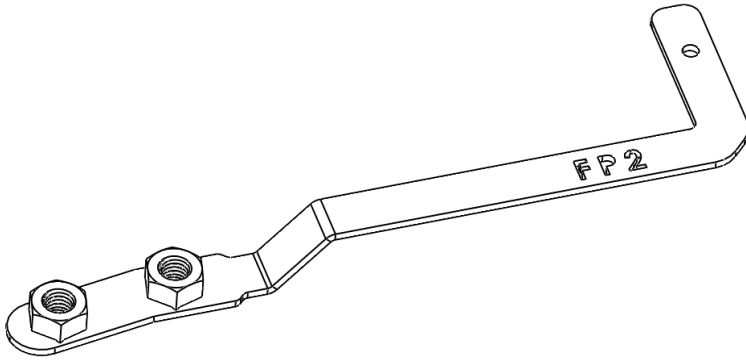




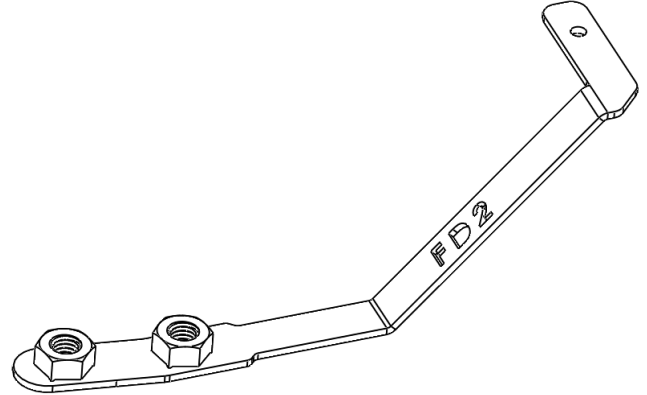
REAR FLAG NUT
4BRS2021-07
(x2)



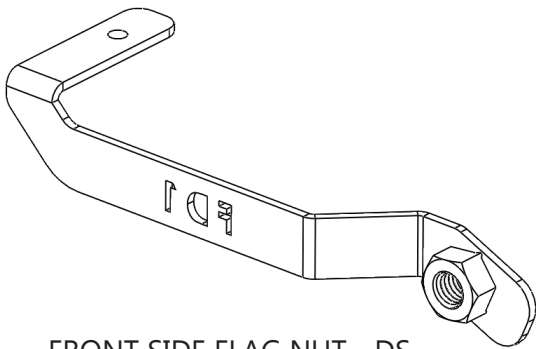
CENTER FLAG NUT
4BRS2021-10
(x2)



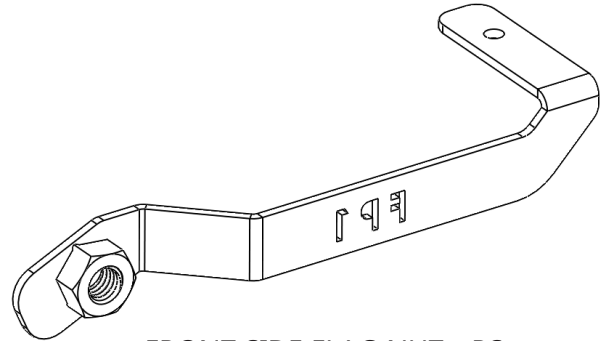
FRONT LOWER FLAG NUT - PS
4BRS2021-08
(x1)



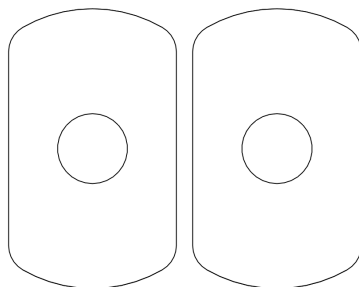
FRONT LOWER FLAG NUT - DS
4BRS2021-05
(x1)



FRONT SIDE FLAG NUT - DS
4BRS2021-06
(x1)



FRONT SIDE FLAG NUT - PS
4BRS2021-09
(x1)



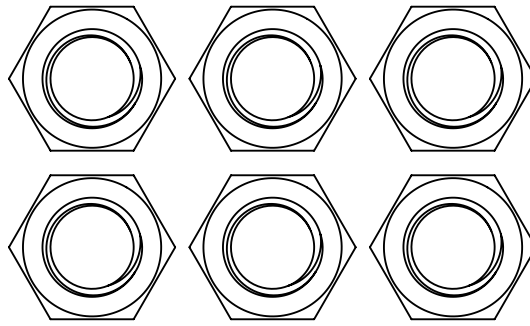
REAR MOUNT SPACER
2BRS2021-21
(x2)



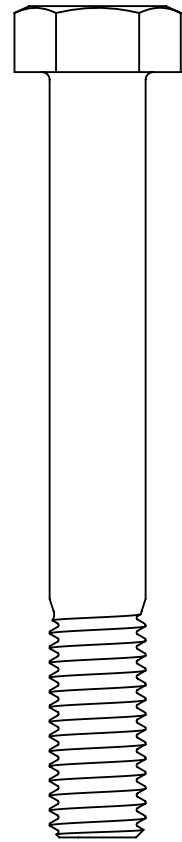
BRONCO
ARMOR LITE SERIES
 BRONCO ARMOR LITE
 SLIDERS
 BOLT KIT

Packaged by:

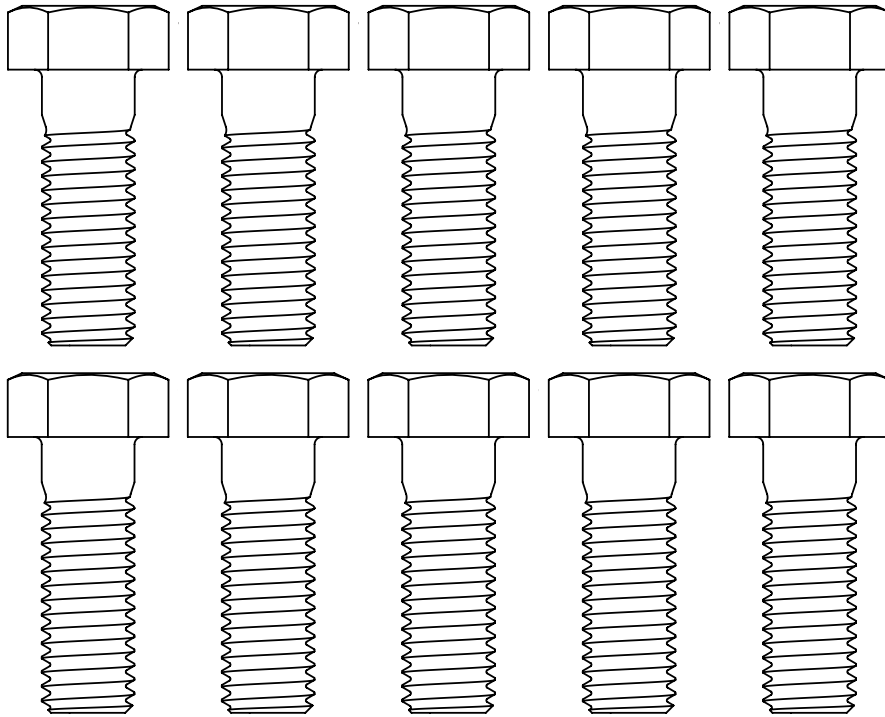
On:



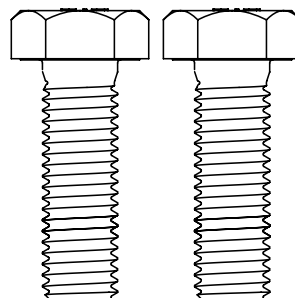
HEX NUT 1/2-13
 1136310
(x6)



HEX BOLT 1/2-13 X 4.00
 110120390
(x1)

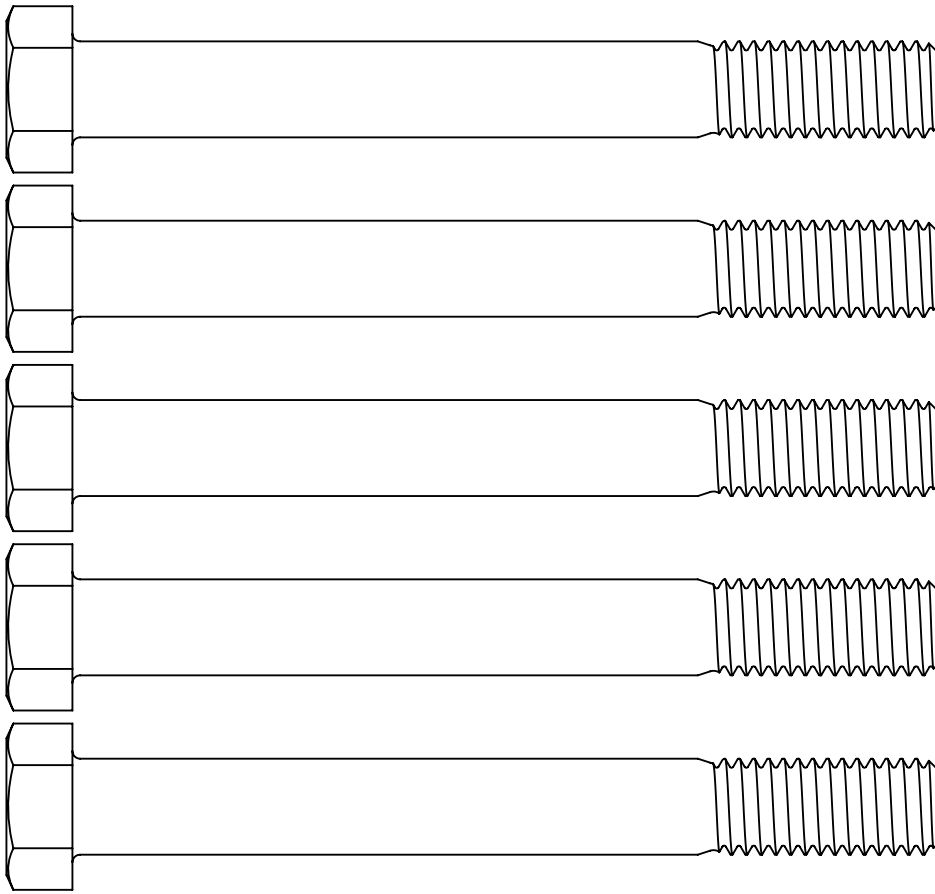


HEX BOLT 1/2-13 X 1.50
 110120380
(x10)

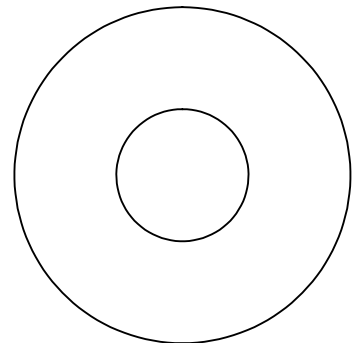
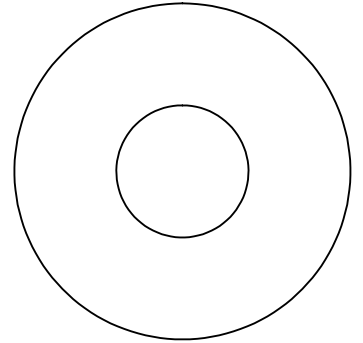
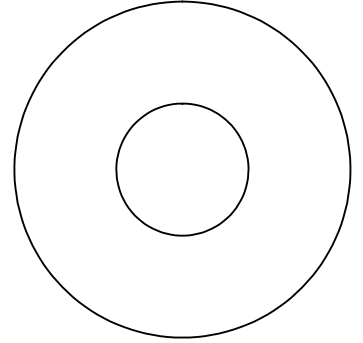
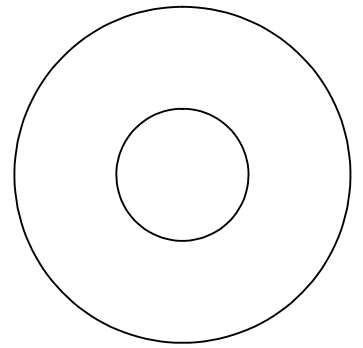


HEX BOLT M12-1.75 X 40MM
 0154003
(x2)

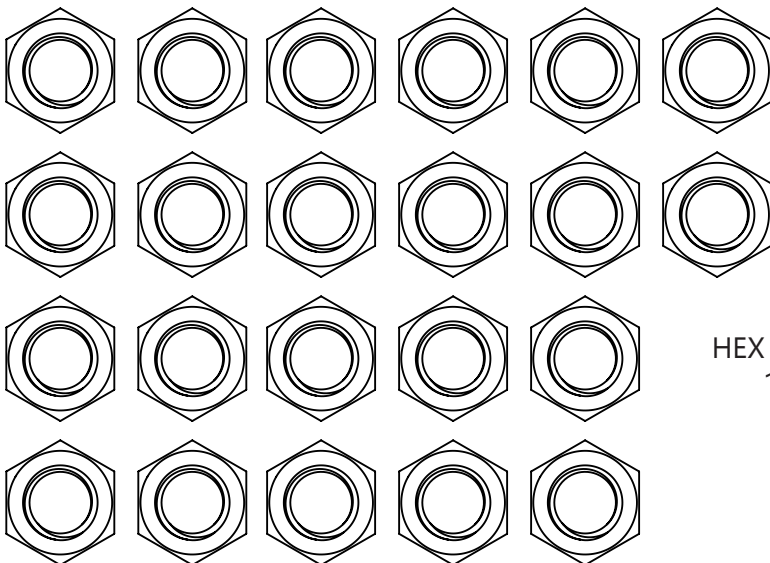




HEX BOLT 1/2-13 X 4.50
110120391
(x5)

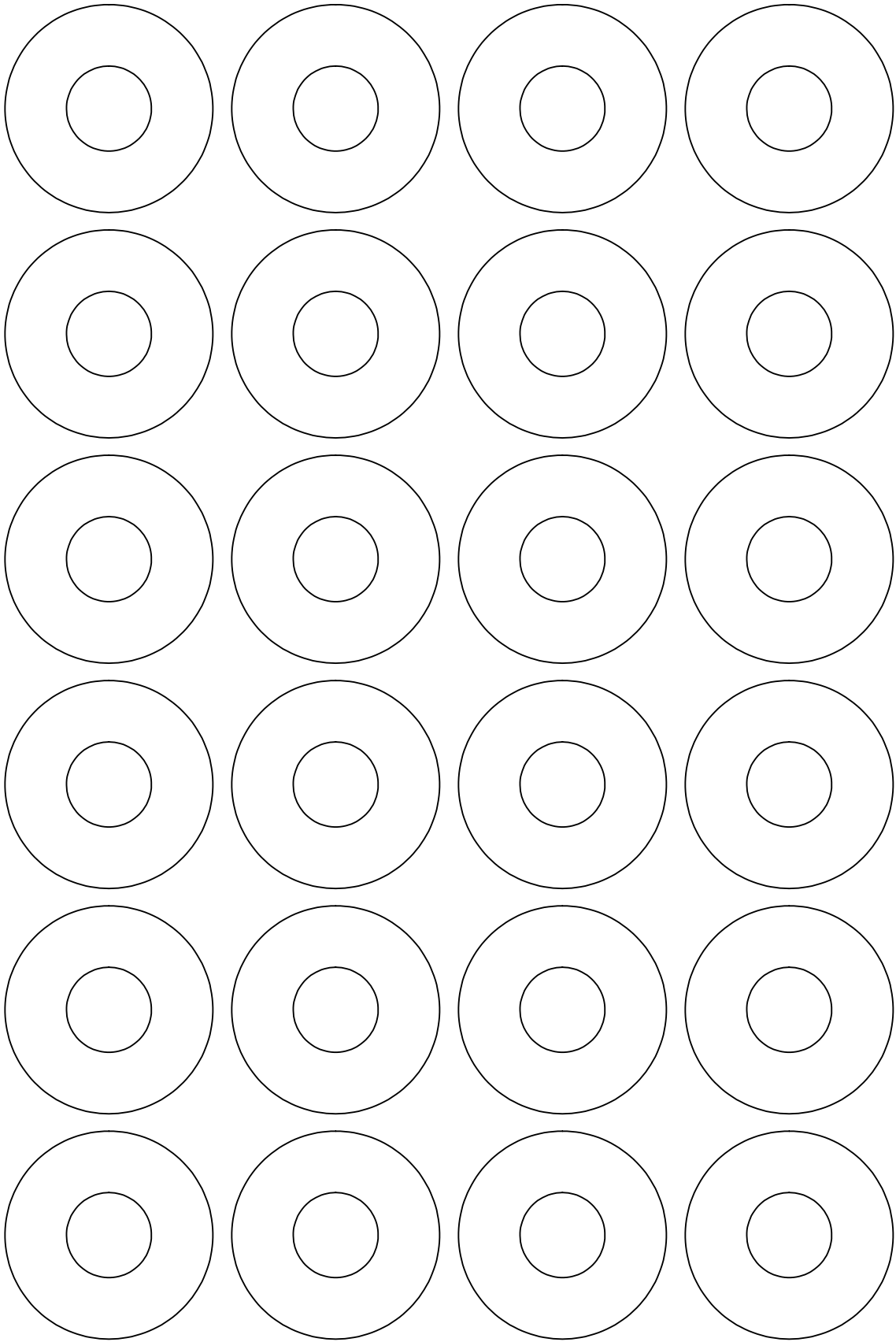


FLAT WASHER
5/8 X 1.75
1133016
(x4)



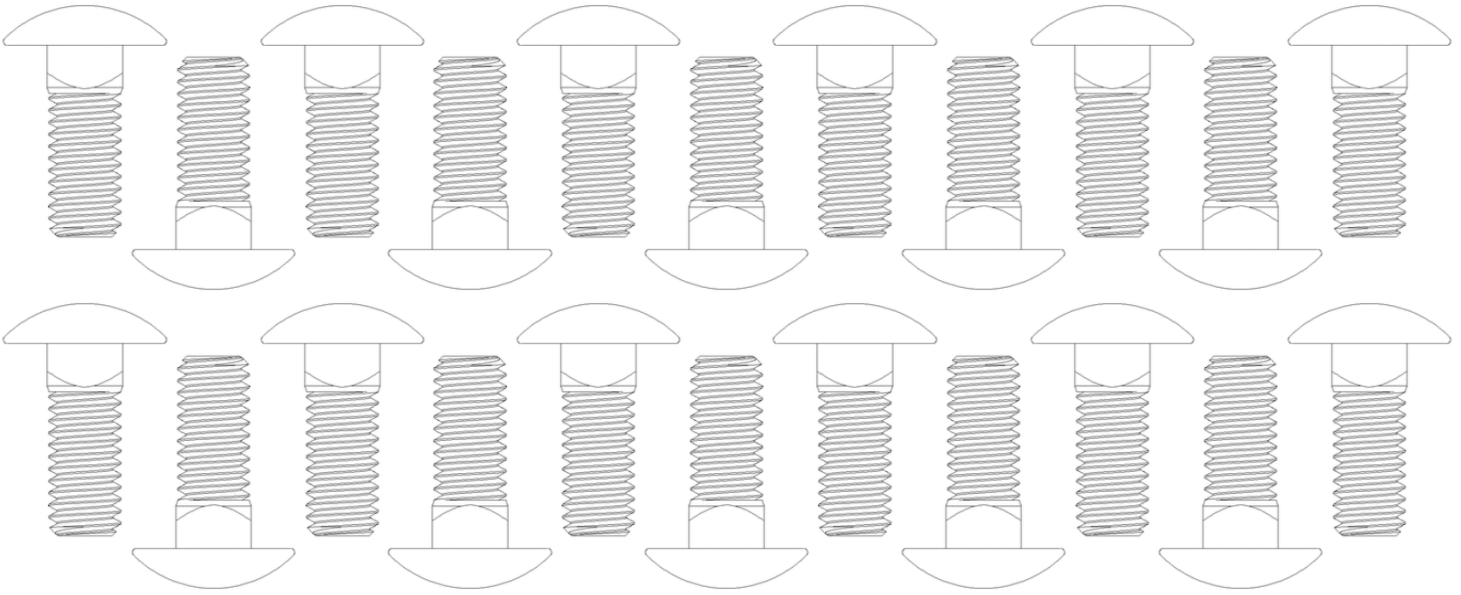
HEX NUT 3/8-16
1136306
(x22)



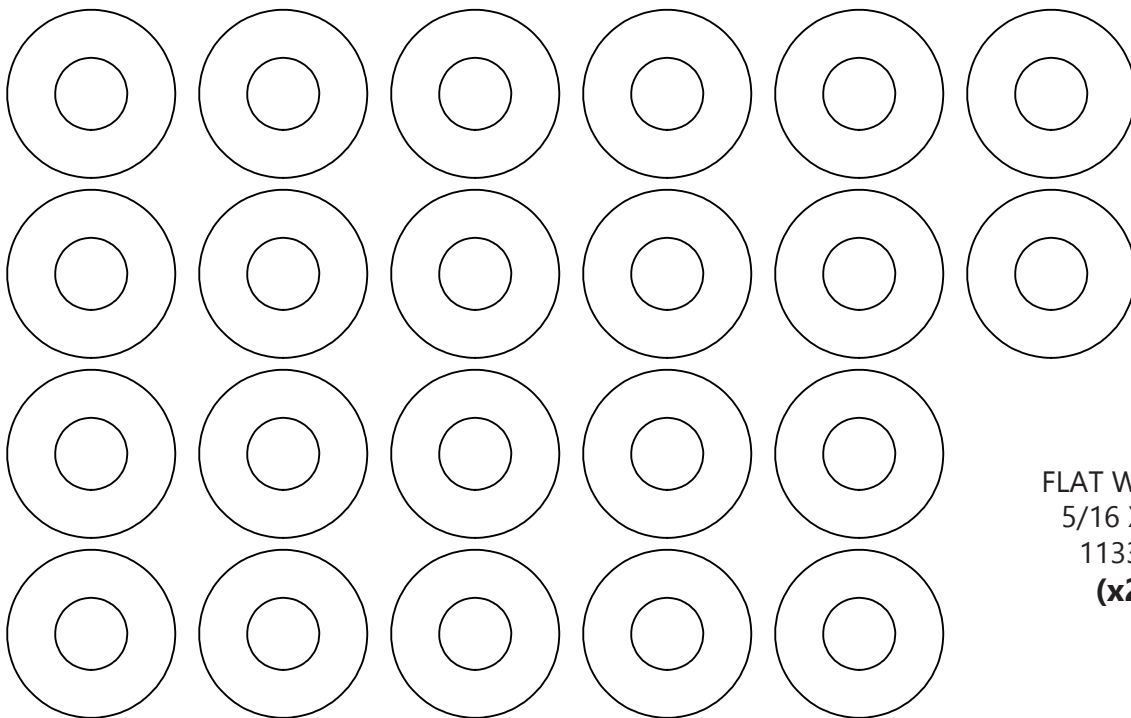


FLAT WASHER
1/2 X 1.375
1133012
(x24)





CARRIAGE BOLT 3/8-16 X 1.00
(x22)



FLAT WASHER
5/16 X .875
1133006
(x22)

