



BLACK-OPS SERIES

BRONCO

FRONT DIFFERENTIAL SKID
PLATE



VERIFY YOU HAVE ALL THE COMPONENTS BEFORE STARTING THE INSTALLATION. REFER TO THE ENGINEERING DRAWINGS AT THE END OF THIS DOCUMENT FOR A COMPLETE PARTS LIST

Start by removing your stock skid plate which covers the front differential. Keep the mounting bolts because you will reuse them to mount your new LOD Front Differential Skid Plate.

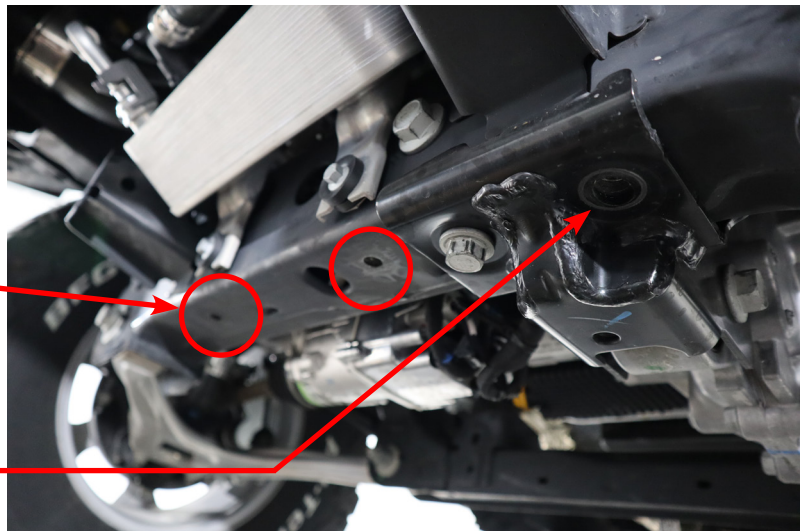
Stock skid plate location



With the stock skid plate removed, you can now see the bolt locations for your new LOD skid plate on the front frame crossmember. You will also need to remove one of the frame bolts that mount your front differential.

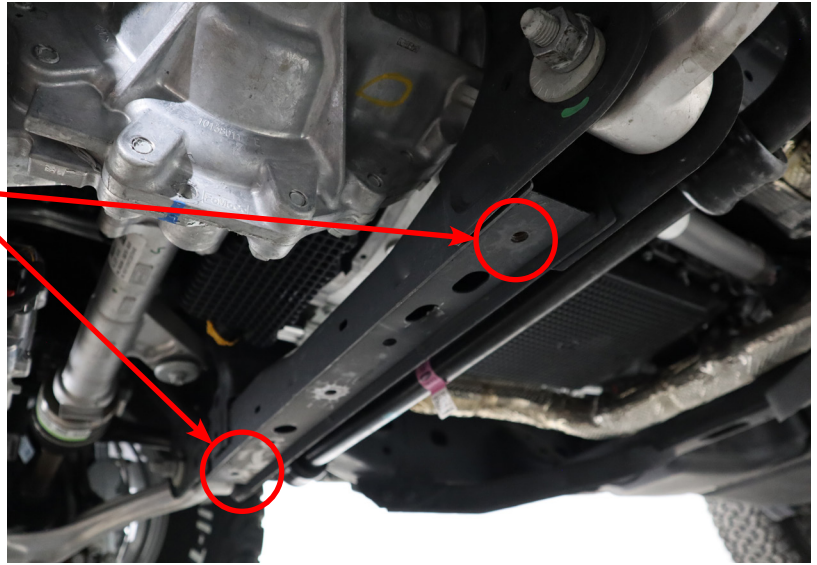
Bolt Locations

Remove the larger front differential frame bolt closest to the driver side. Leave the other bolt in place.



You can also now see the bolt locations on the second frame crossmember behind the differential.

Bolt Locations



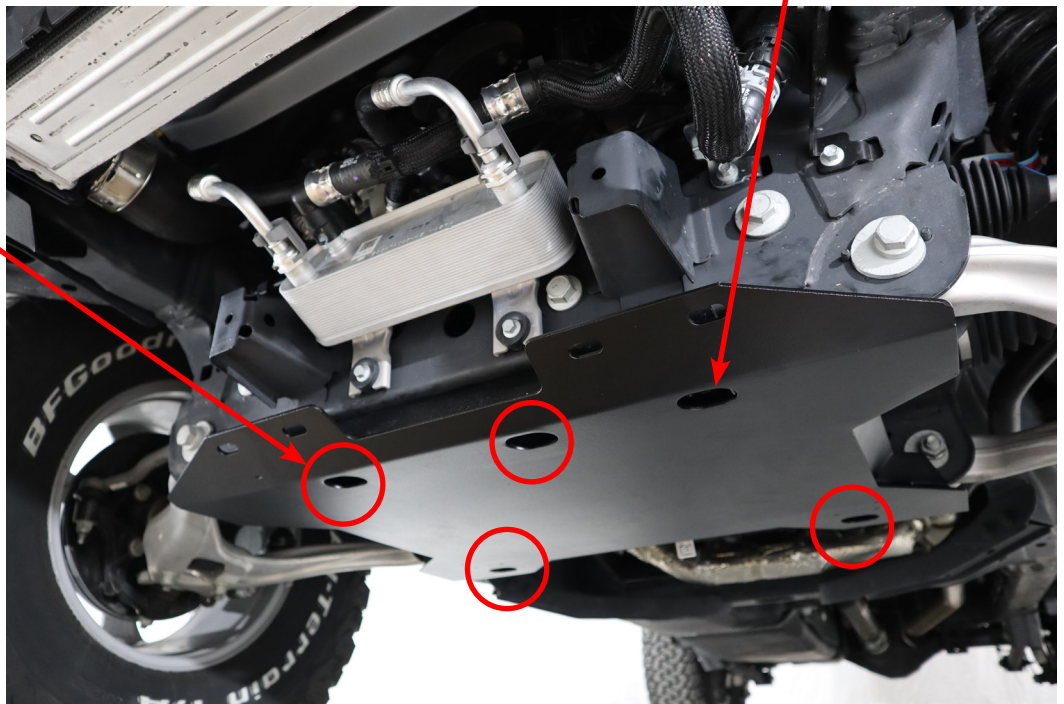
With a helper, place your new LOD Front Differential Skid plate into position over the two frame crossmembers.

Loosely install all 4 black bolts (the bolts from your stock skid plate). Also install the larger frame bolt for your front differential mount.

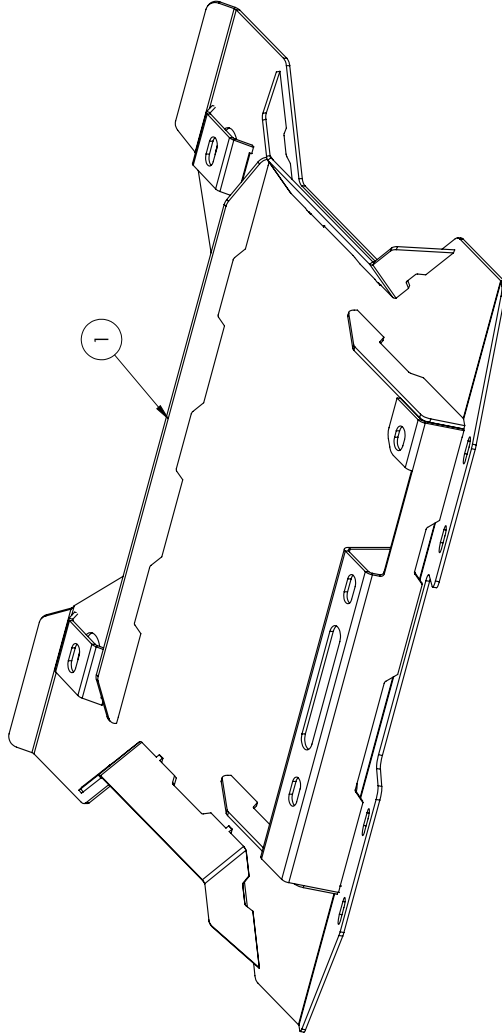
Front Differential Frame Bolt

Once all the bolts are started, tighten all the bolts securely.

Bolt Locations



ITEM NO.	PART NUMBER	DESCRIPTION	QTY.
1	4BSP2021-01	2021 BRONCO FRONT DIFF SKID PLATE	1



NOTES:

1. BSP2102 = BARE STEEL OPTION
2. BSP2103 = BLACK POWDER COAT
3. WEIGHT = APPROX 27 LBS

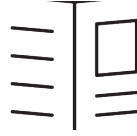
UNLESS OTHERWISE SPECIFIED:		NAME	DATE
DIMENSIONS ARE IN INCHES		MCH	12/14/2021
ANGULAR DIMENSIONS			
TWO PLACE DECIMAL ±0.015	CHECKED		
THREE PLACE DECIMAL ±0.005	ENG APPR.		
	MEG APPR.		
	MATERIAL		
	FINISH		
	ECC:		
	PROHIBITED.		
PROPRIETARY AND CONFIDENTIAL THE INFORMATION CONTAINED IN THIS DRAWING IS THE SOLE PROPERTY OF LOD LLC. ANY REPRODUCTION OR TRANSMISSION OF THIS INFORMATION WITHOUT THE WRITTEN PERMISSION OF LOD LLC IS PROHIBITED.		LOD LLC. DESCRIPTION: BRONCO FRONT DIFF SKID PLATE	
DWG. NO. BSP2102 BSP2103		SCALE: 1:4 SHEET SIZE: B	
REV A		SHEET 1 OF 1	



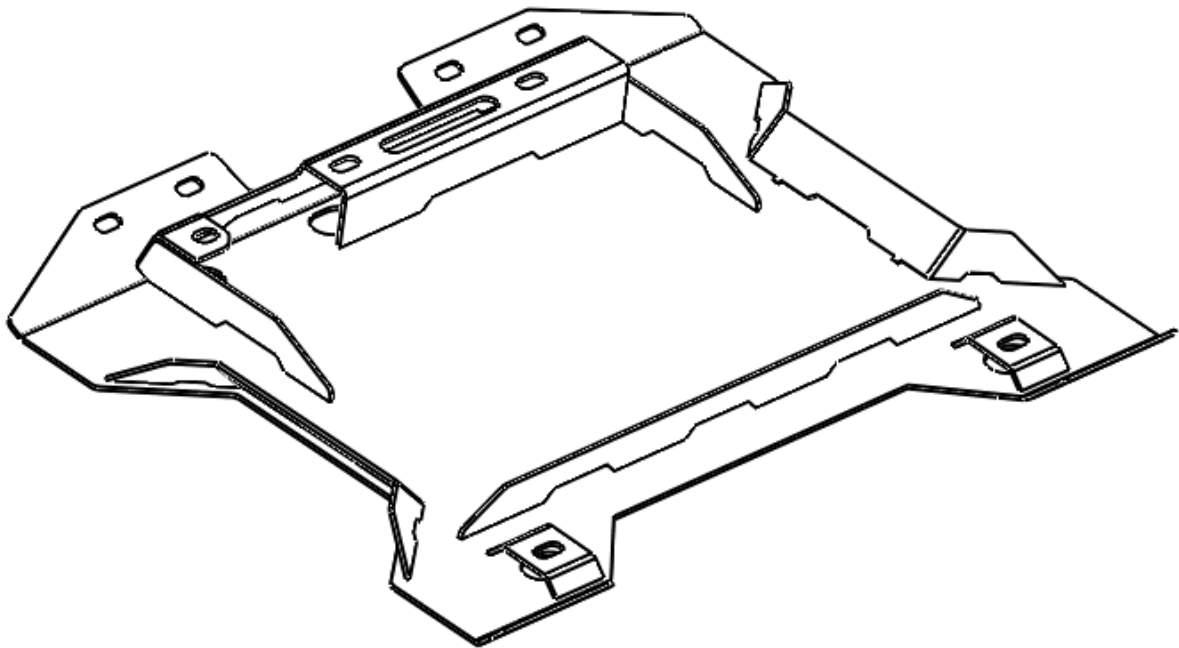
BRONCO
BLACK-OPS SERIES
FRONT DIFFERENTIAL
SKID PLATE
SHIPPING SHEET

Packaged by:

On:



INSTRUCTION
SHEET



2021 BRONCO FRONTT DIFFERENTIAL
SKID PLATE

4BSP2021-01

(x1)

