



BLACK-OPS SERIES

BRONCO

FRONT "A" ARM SKID
PLATES



VERIFY YOU HAVE ALL THE COMPONENTS BEFORE STARTING THE INSTALLATION. REFER TO THE ENGINEERING DRAWINGS AT THE END OF THIS DOCUMENT FOR A COMPLETE PARTS LIST

To install your new LOD "A" Arm Skid Plates, first remove the front strut mounting nuts.

Remove strut mounting nuts



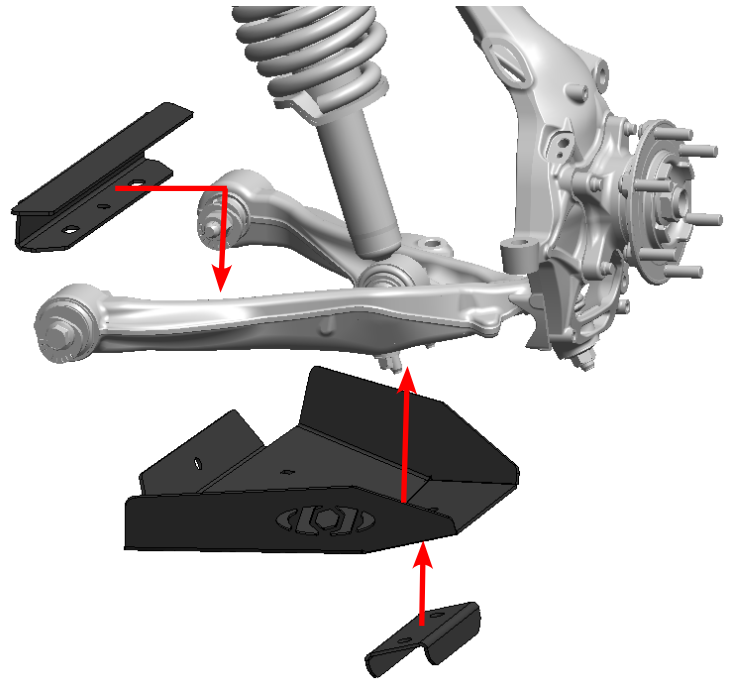
Next place the "A" Arm Skid Plate in place over the strut bolts. These parts are side specific. Be sure to use the DS parts for the driver side, and PS parts for Passenger side.

Place the Bolt Guard in place over the strut bolts and reinstall the strut mounting nuts. Leave these loose while you finish the installation.

Bolt Guard and mounting nuts



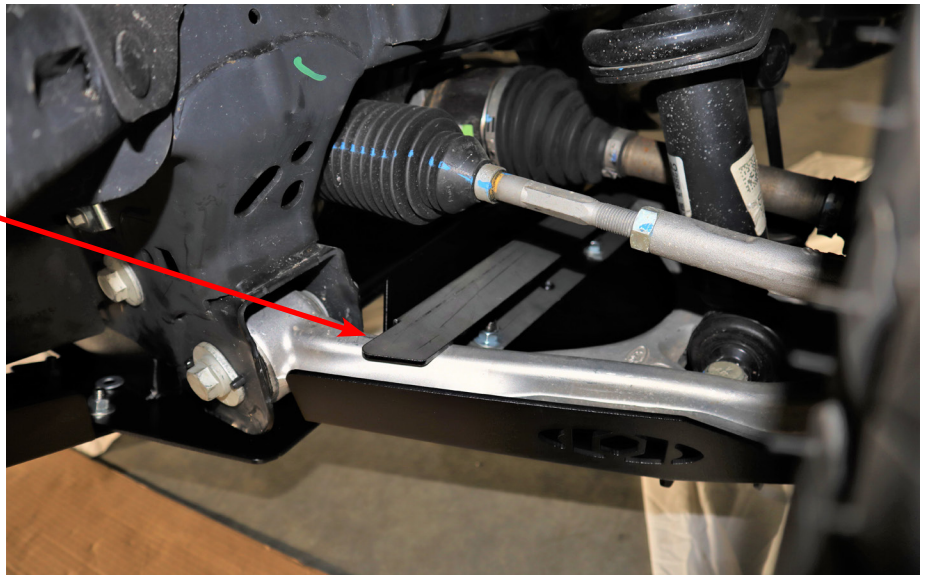
The Bolt Guard is optional. Some aftermarket struts may use loose bolts in this position. If that is the case, you might be able to install the strut bolts facing up to help prevent damage and you may not need the bolt guard.



Next install the Inside Brace onto your Bronco's "A" Arm. This Brace will fit inside the legs of the "A" Arm and clamp the skid plate into place and also provide additional strength.

Install the Inside Brace using the $\text{\O}3/8$ " Carriage Bolts and Washers and Nuts.

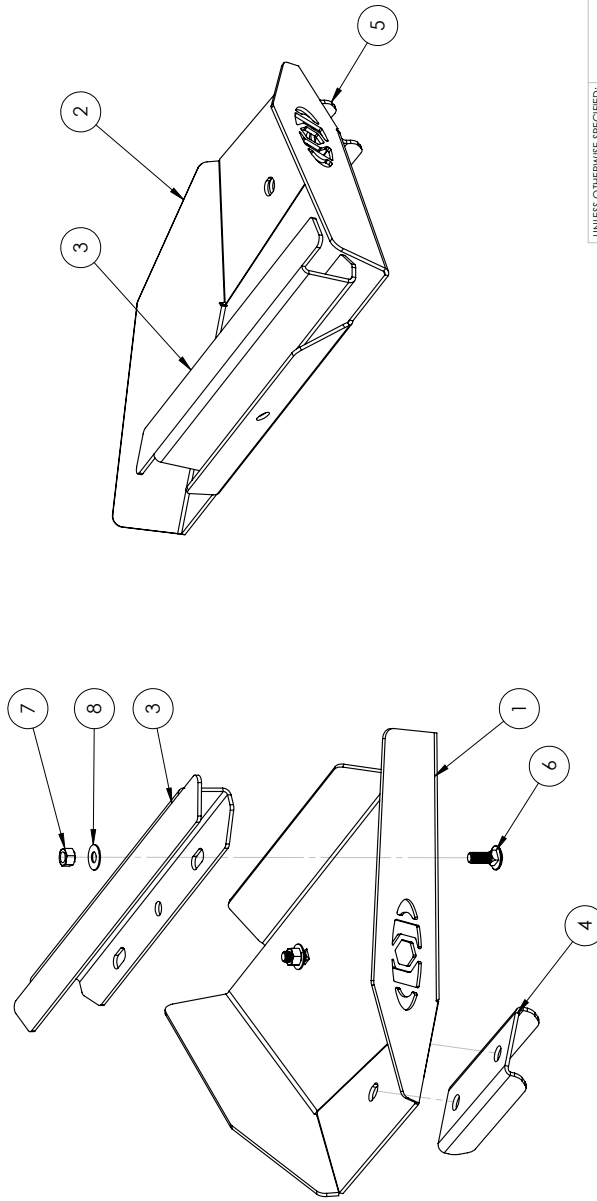
Be sure the top flange of the Inside Brace is tight against the top of the "A" Arm Legs



Once all the parts are in place, be sure to tighten all bolts and nuts securely.



ITEM NO.	PART NUMBER	DESCRIPTION	QTY.
1	2BSP2021-12	FRONT A ARM SKID PLATE - PS	1
2	2BSP2021-13	FRONT A ARM SKID PLATE - DS	1
3	2BSP2021-11	INSIDE BRACE	2
4	2BSP2021-14	BOLT GUARD - PS	1
5	2BSP2021-15	BOLT GUARD - DS	1
6	CB381616ZPGR5	CARRIAGE BOLT 3/8-16 X 1.00 ZINC PLATE GR5	4
7	HN3816ZPGR5	HEX NUT 3/8-16 ZINC PLATE GR5	4
8	FW3114ZP	FLAT WASHER Ø5/16" X .875" ZINC PLATE	4



- NOTES:**
1. BSP2104 = BARE STEEL OPTION
 2. BSP2105 = BLACK POWDER COAT
 3. WEIGHT = APPROX 23 LBS

UNLESS OTHERWISE SPECIFIED:		NAME	DATE
DIMENSIONS ARE IN INCHES	DRAWN	MCH	12/14/2021
ANGLES ARE IN DEGREES	CHECKED		
TOLERANCES UNLESS OTHERWISE SPECIFIED:	ENG APPR.		
ANGULAR: MACH 1°	MFG APPR.		
TWO PLACE DECIMAL ±0.015	MATERIAL:		
THREE PLACE DECIMAL ±0.005	N/A		
PROPRIETARY AND CONFIDENTIAL			
THE INFORMATION CONTAINED IN THIS DRAWING IS THE SOLE PROPERTY OF LOD LLC. ANY REPRODUCTION IN PART OR AS A WHOLE WITHOUT THE WRITTEN PERMISSION OF LOD LLC IS PROHIBITED.			
LOD LLC.		DESCRIPTION:	
BSP2104		BRONCO "A" ARM SKID PLATES	
BSP2105		DWG. NO.	
SCALE: 1:4		REV	
SHEET SIZE: B		A	
SHEET 1 OF 1			

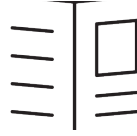


**BRONCO
BLACK-OPS SERIES**

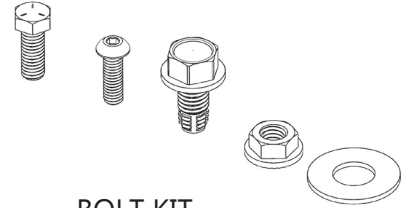
FRONT "A" ARM
SKID PLATES
SHIPPING SHEET

Packaged by:

On:

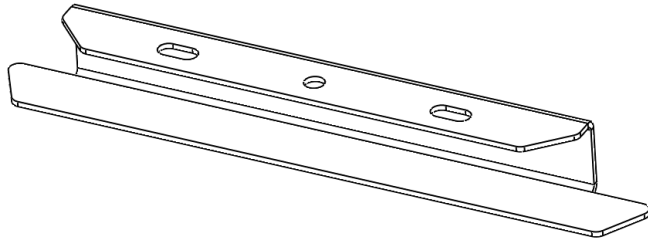


INSTRUCTION
SHEET

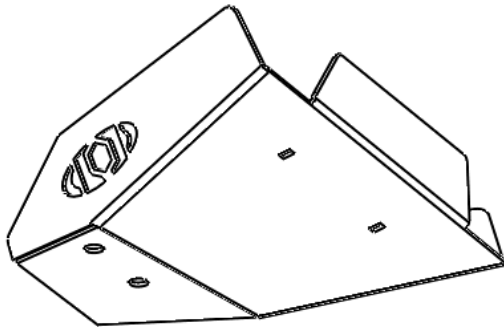


BOLT KIT
BSP2104-BK

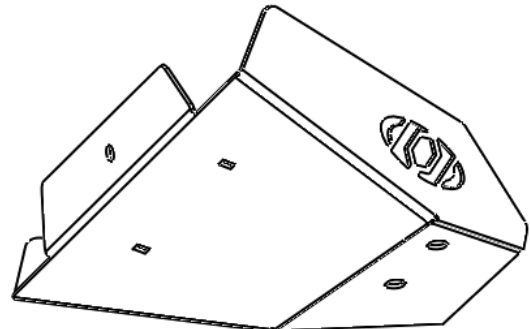
(x1)



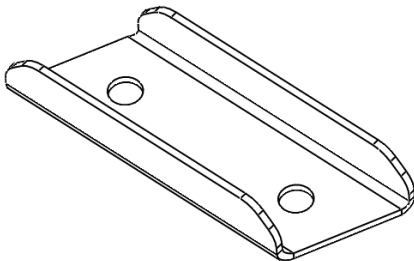
INSIDE BRACE
2BSP2021-11
(x2)



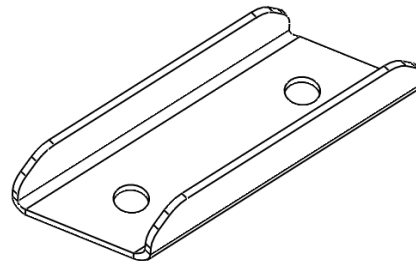
FRONT "A" ARM SKID PLATE - PS
2BSP2021-12
(x1)



FRONT "A" ARM SKID PLATE - DS
2BSP2021-13
(x1)



BOLT GUARD - DS
2BSP2021-15
(x1)



BOLT GUARD - PS
2BSP2021-14
(x1)





**BRONCO
BLACK-OPS SERIES**

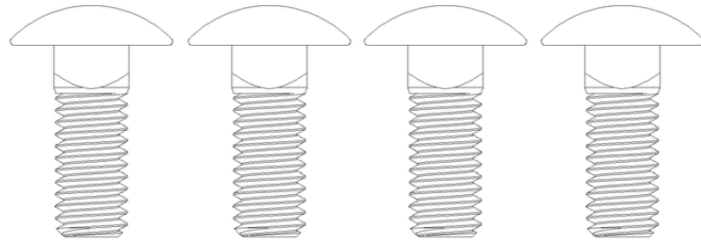
FRONT "A" ARM
SKID PLATES

BSP2104-BK

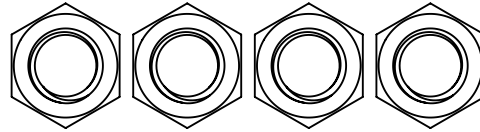
Bolt Kit

Packaged by:

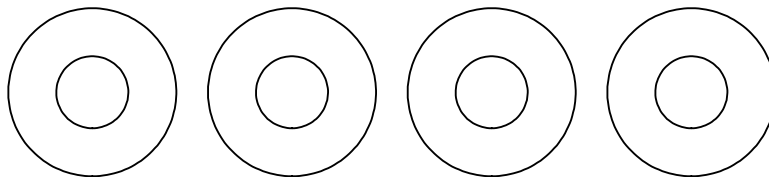
On:



CARRIAGE BOLT 3/8-16 X 1.00
(21817)
(x4)



HEX NUT 3/8-16
(36306)
(x4)



FLAT WASHER
Ø5/16" X .875"
(0159678)
(x4)

