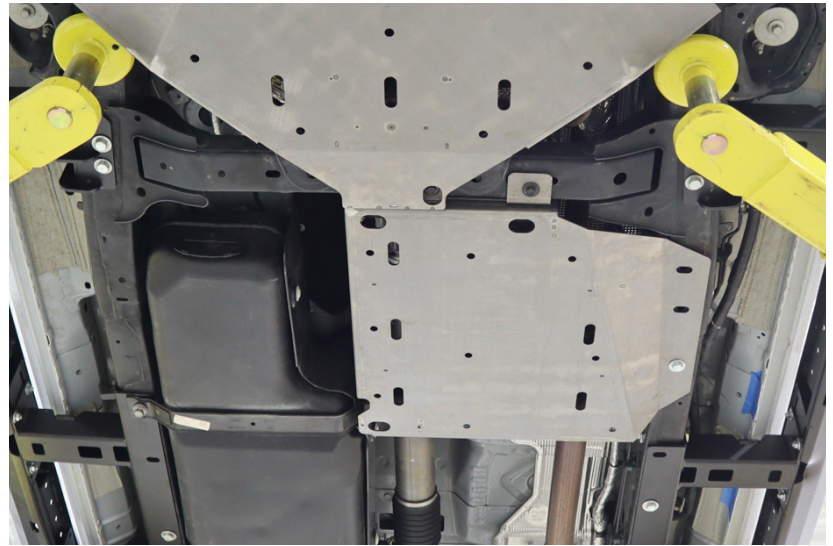




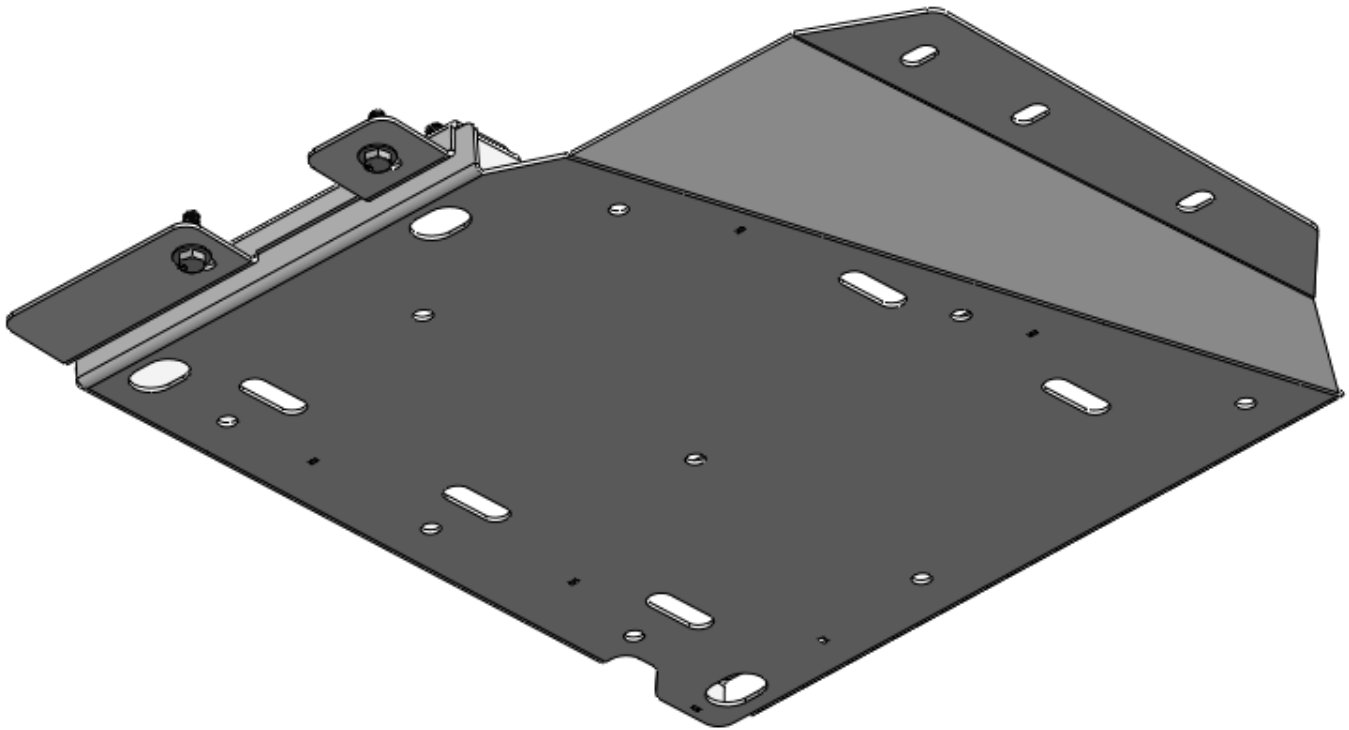
BLACK-OPS SERIES

BRONCO

TRANSFER CASE
SKID PLATE



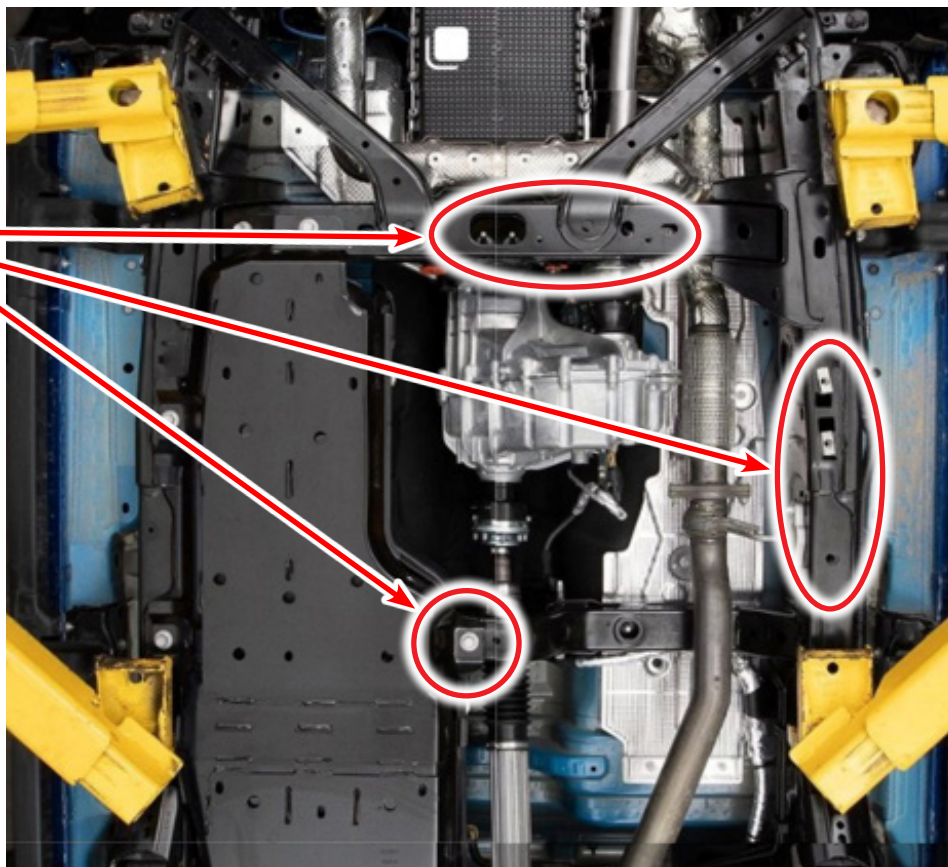
VERIFY YOU HAVE ALL THE COMPONENTS BEFORE STARTING THE INSTALLATION. REFER TO THE ENGINEERING DRAWINGS AT THE END OF THIS DOCUMENT FOR A COMPLETE PARTS LIST



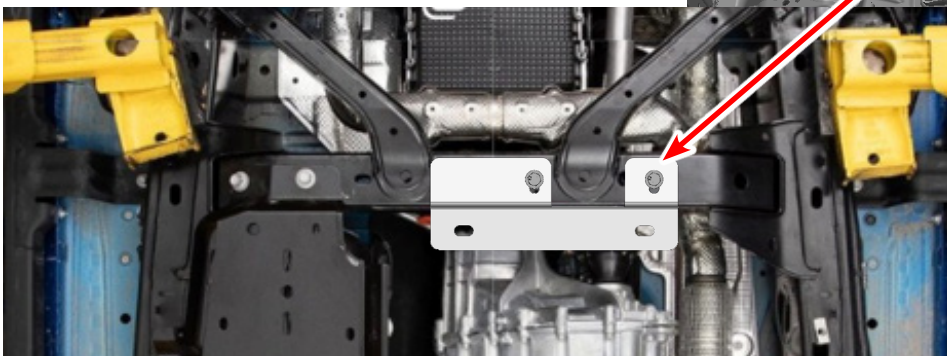
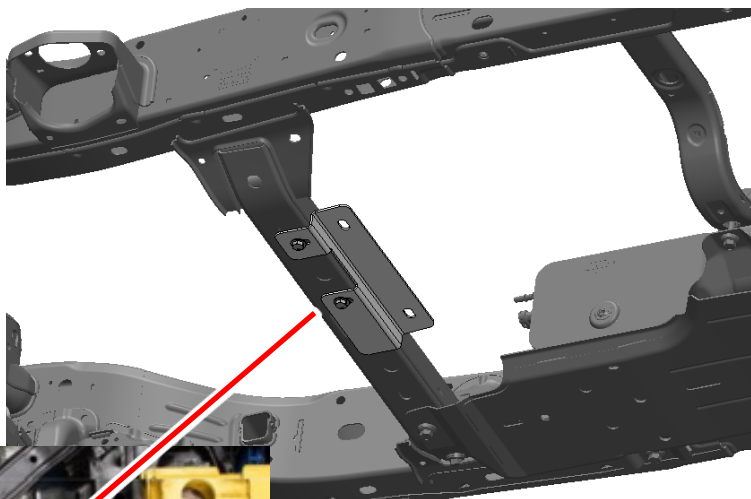
Front of Bronco

The image here shows the underside of your Bronco with no skid plates installed. If your Bronco has skid plates you will need to remove the mounting bolts in the locations circled here.

Your new skid plate should fit with the stock OEM skid plates, however you may need to loosen mounting bolts during installation.

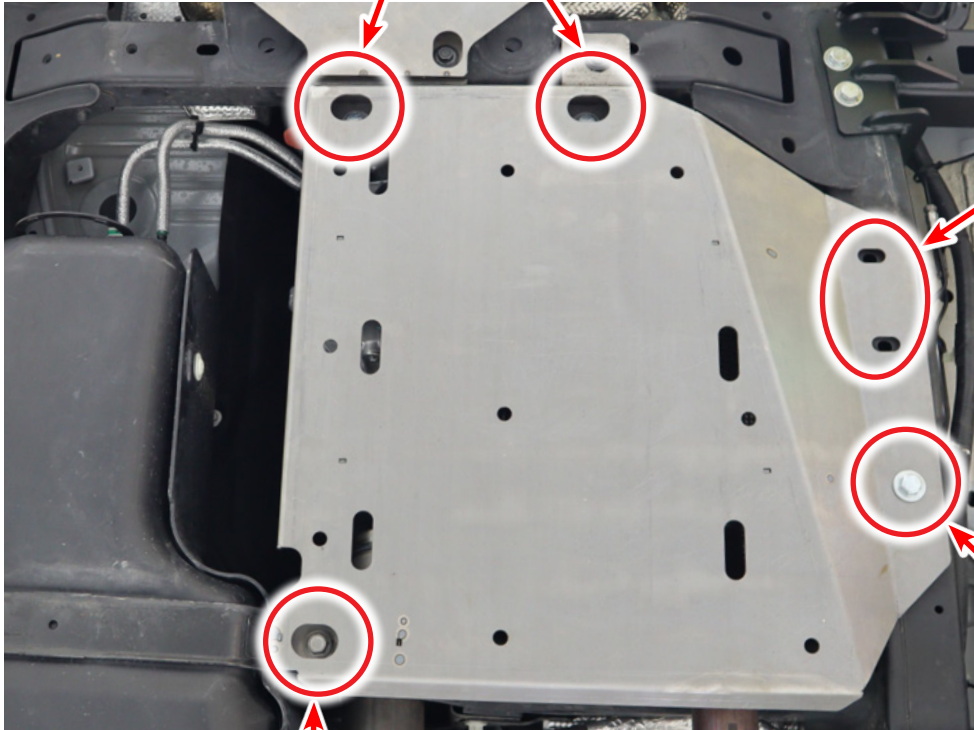


Install the Cross Member Bracket using the M10 Hex Bolts and Washers in the position shown on the chassis cross member directly in front of your transfer case. Leave these bolts loose while you finish the installation.



Have a helper hold the skid plate in place while you install the bolts as shown. Or you can use a floor jack to hold the skid plate in position.

Install $\text{Ø}1/2''$ Hex Bolts, Nuts and Washers through the skid plate and Cross Member Bracket



If you are replacing the stock skid plate, you can install the stock bolts in this position.

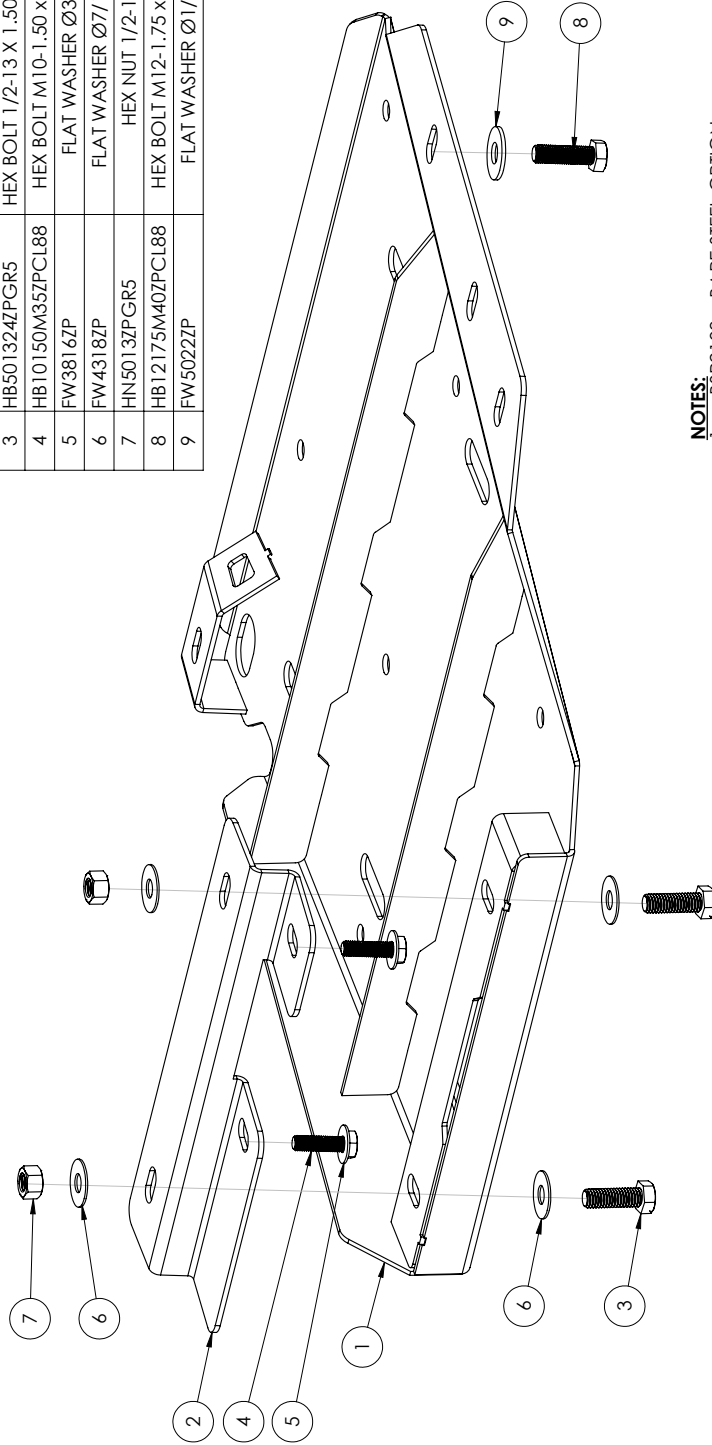
Use the M12 Hex Bolt and washer provided in this position.

DO NOT FORCE THIS BOLT IF THE THREADS ARE TIGHT. VERIFY YOU HAVE THE CORRECT BOLT BEFORE TIGHTENING.

Use existing gas tank support (or skid plate) bolt in this position. Your Transfer Case Skid Plate will sit on top of the support (or skid plate) as shown.

Be sure to tighten all bolts evenly and securely.

ITEM NO.	PART NUMBER	DESCRIPTION	QTY.
1	4BSP2021-03	2021 BRONCO TRANSFER CASE SKID PLATE	1
2	2BSP2021-23	CROSSMEMBER BRACKET	1
3	HB501324ZPGR5	HEX BOLT 1/2-13 X 1.50 HEX BOLT ZINC PLATE GR5	2
4	HB10150M35ZPCL88	HEX BOLT M10-1.50 x 35mm ZINC PLATE CL8.8	2
5	FW3816ZP	FLAT WASHER Ø3/8" X 1.00 ZINC PLATE	2
6	FW4318ZP	FLAT WASHER Ø7/16 X 1.25" ZINC PLATED	4
7	HN50132PGR5	HEX NUT 1/2-13 ZINC PLATE GR5	2
8	HB12175M40ZPCL88	HEX BOLT M12-1.75 x 40mm ZINC PLATE CL8.8	1
9	FW5022ZP	FLAT WASHER Ø1/2" X 1.375" ZINC PLATE	1



- NOTES:**
1. BSP2108 = BARE STEEL OPTION
2. BSP2109 = BLACK POWDER COAT
3. WEIGHT = APPROX 32 LBS

UNLESS OTHERWISE SPECIFIED:		NAME	DATE
DIMENSIONS ARE IN INCHES	DRAWN	MCH	6/21/2022
TOLERANCES UNLESS NOTED	CHECKED		
ANGULAR: MACH 1°	ENG APPR.		
TWO PLACE DECIMAL	MFG APPR.		
THREE PLACE DECIMAL	MATERIAL:		
	N/A		
PROPRIETARY AND CONFIDENTIAL			
THE INFORMATION CONTAINED IN THIS DRAWING IS THE SOLE PROPERTY OF LOD LLC. ANY REPRODUCTION OR TRANSMISSION OF THIS DRAWING IN ANY MANNER WITHOUT THE WRITTEN PERMISSION OF LOD LLC IS PROHIBITED.			
DESCRIPTION:		LOD LLC.	
2021 BRONCO TRANSFER CASE SKID PLATE			
DWG. NO.	REV		
BSP2108	A		
BSP2109			
SCALE: 1:3	SHEET SIZE: B	SHEET 1 OF 1	



**BRONCO
BLACK-OPS SERIES**

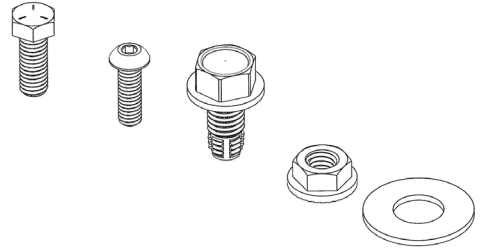
TRANSFER CASE
SKID PLATE
SHIPPING SHEET

Packaged by:

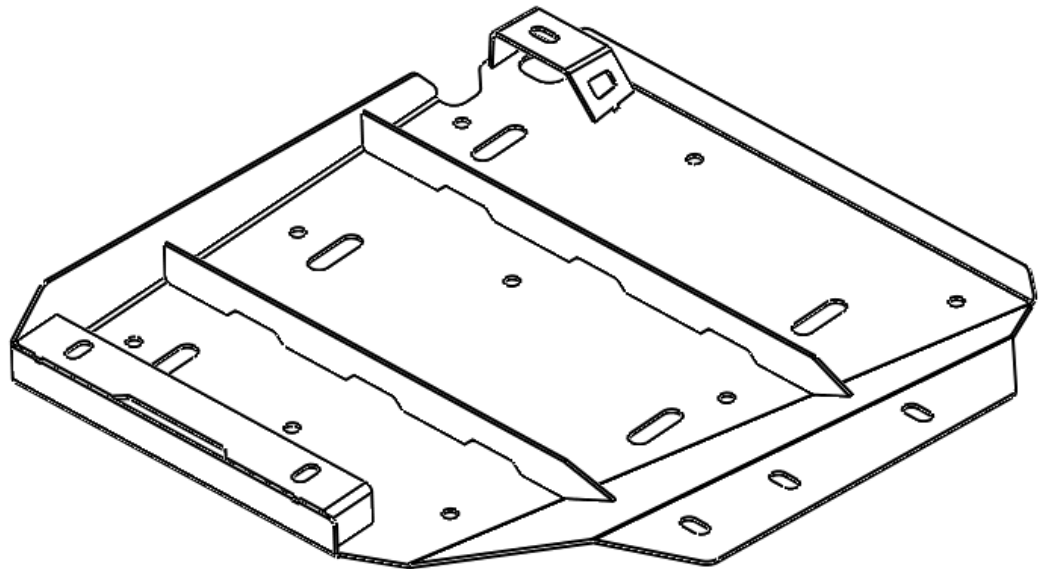
On:



INSTRUCTION
SHEET

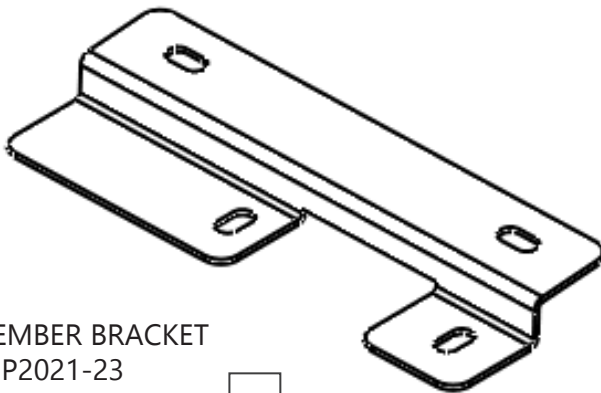


BOLT KIT
(may vary)



TRANSFER CASE SKID PLATE
4BSP2021-03

(x1)



CROSS MEMBER BRACKET
2BSP2021-23

(x1)

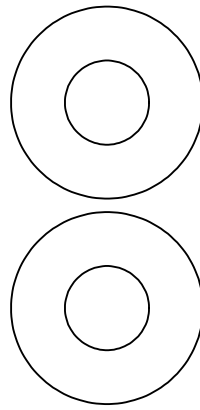




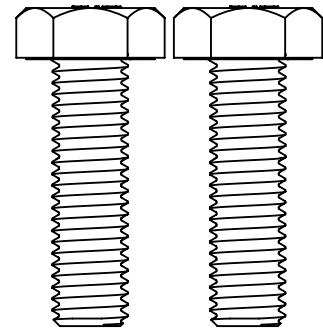
**BRONCO
BLACK-OPS SERIES**
TRANSFER CASE
SKID PLATE
BSP2108-BK
Bolt Kit

Packaged by:

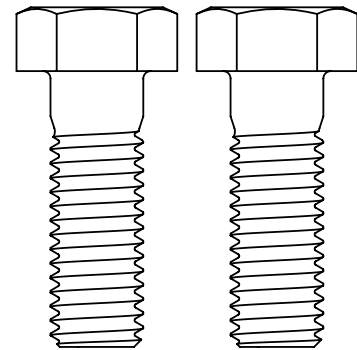
On: _____



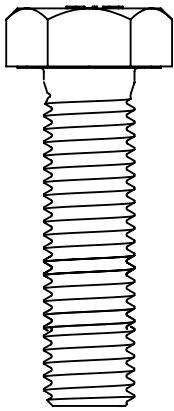
FLAT WASHER
Ø3/8" X 1.00"
(0159679)
(x2)



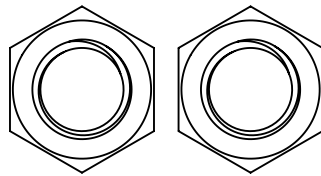
HEX BOLT M10-1.5 X 35MM
(0145161)
(x2)



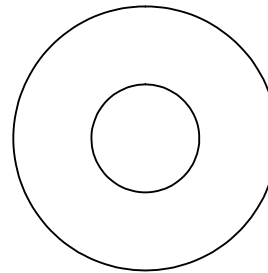
HEX BOLT 1/2-13 X 1.50
110120380
(x2)



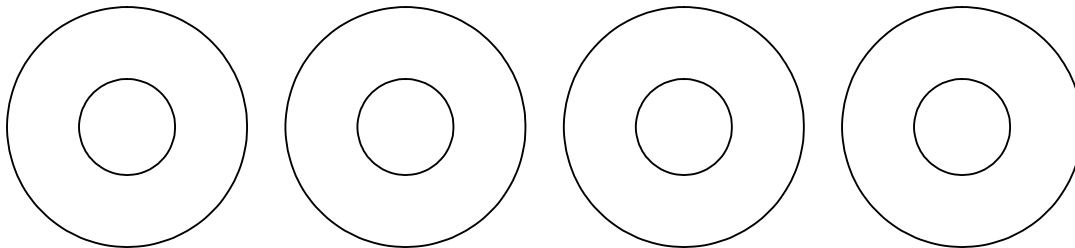
HEX BOLT M12-1.75 X 40MM
38708
(x1)



HEX NUT 1/2-13
1136310
(x2)



FLAT WASHER
1/2 X 1.375
1133012
(x1)



FLAT WASHER
7/16 X 1.25
1133010
(x4)

