



1-877-287-8634

INSTALLATION INSTRUCTIONS

IMPORTANT NOTICE: Be sure to inspect and test fit product before having it coated or painted. Ranch Hand will not be responsible for the cost of the coating if any problems with fit or finish are not noted and addressed beforehand.

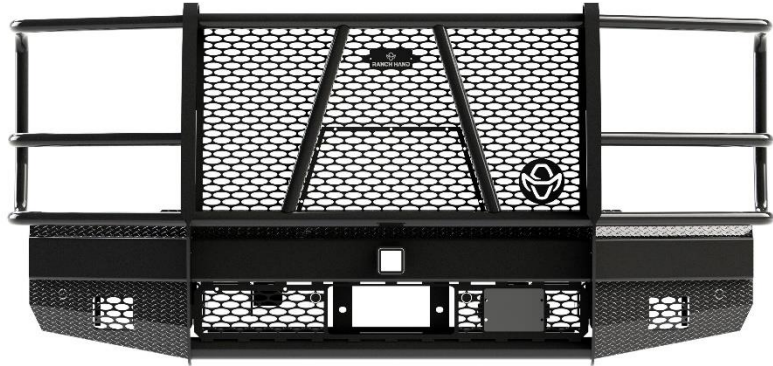
2023-up FORD SD F-250/F-350 SPORT FRONT BUMPER

PART # FBF235BLR

Warning: If your vehicle has adaptive cruise, please ensure that your adaptive cruise is working correctly once the Ranch Hand bumper is installed. Adaptive cruise may need to be cleaned or adjusted to ensure it functions properly. See your owner's manual for care of the adaptive cruise.

TOOLS REQUIRED

- Ratchet and extension.
- 7/16", 1/2", 9/16" & 3/4" sockets and/or wrenches
- 8, 11, 15 & 18mm sockets and/or wrenches
- 5/32" Allen wrench
- T-25 Torx
- Flat and/or Phillips screwdriver
- Pry tool.
- Zip-ties.



1. Unplug the main wiring harness located on the driver side frame.
2. Unplug the fog light wires.
3. Remove the side bumper bracket bolts(15mm). Two on each side.
4. Remove the plastic cover from around the tow hooks.
5. If an Adaptive Cruise Control Module is present (located on the driver side) it will need to be unplugged and removed. ***Note: It will be installed later.**
6. Remove the factory bumper by removing the eight 18mm bolts. Four on each side. ***Note: Pull the bumper away from the truck slowly. There will be a couple push clips that will need to be removed. Also, a clip for the engine block plug.**
7. Remove the tow hooks. There are four 18mm bolts holding each tow hook.
8. ***Note: Before installing the mounting plates, make sure the top of the frame rails and the bottom sides of the mounting plates are free of splatter.** Slide the tow hook through the opening and mount the mounting plate over the frame. Use the tow hook bolt to install back to the frame. Use four 1/2" x 1 3/4" bolt, facing towards the inside of the frame, to mount the mounting plate to the inside of the frame. **TOW HOOKS MUST BE REINSTALLED!**

----- WARNING -----

Special care should be exercised in the handling, storage and installation of Ranch Hand equipment.

The actual weight of each piece of equipment will vary depending on style and model. The weight of the equipment is sufficient in volume to warrant special care, assistance and in some instances, the use of mechanical equipment during the transfer and installation of the equipment.

Do not assume a position directly under the equipment during installation. Be sure the equipment has been connected and stabilized during installation to prevent falling or shifting of positions.

Periodically check tightness of bolts to make sure they are tight, and unlikely to fail.

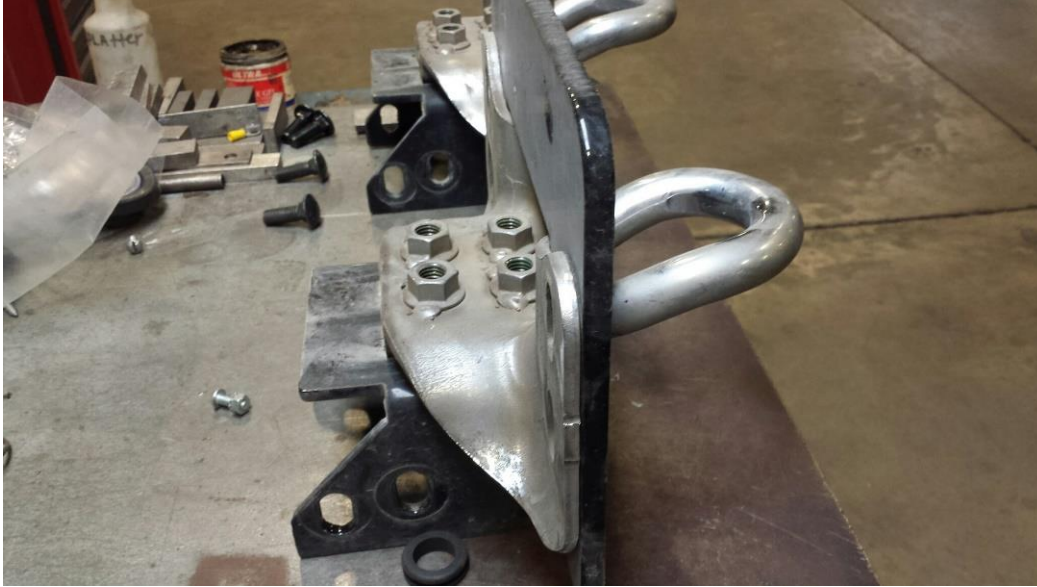
2024



1-877-287-8634

INSTALLATION INSTRUCTIONS

IMPORTANT NOTICE: Be sure to inspect and test fit product before having it coated or painted. Ranch Hand will not be responsible for the cost of the coating if any problems with fit or finish are not noted and addressed beforehand.



9. On trucks that have the extra towing package cooler, you will need to flatten or cut off the two tabs that hook under the frame rail.



10. Make sure the holes of the tow hook bracket and the holes of the mounting plate line up.
11. Mount the front bumper replacement to the mounting plates by using the $\frac{1}{2}$ " x 2" bolts.

WARNING

Special care should be exercised in the handling, storage and installation of Ranch Hand equipment. The actual weight of each piece of equipment will vary depending on style and model. The weight of the equipment is sufficient in volume to warrant special care, assistance and in some instances, the use of mechanical equipment during the transfer and installation of the equipment. Do not assume a position directly under the equipment during installation. Be sure the equipment has been connected and stabilized during installation to prevent falling or shifting of positions.

Periodically check tightness of bolts to make sure they are tight, and unlikely to fail.

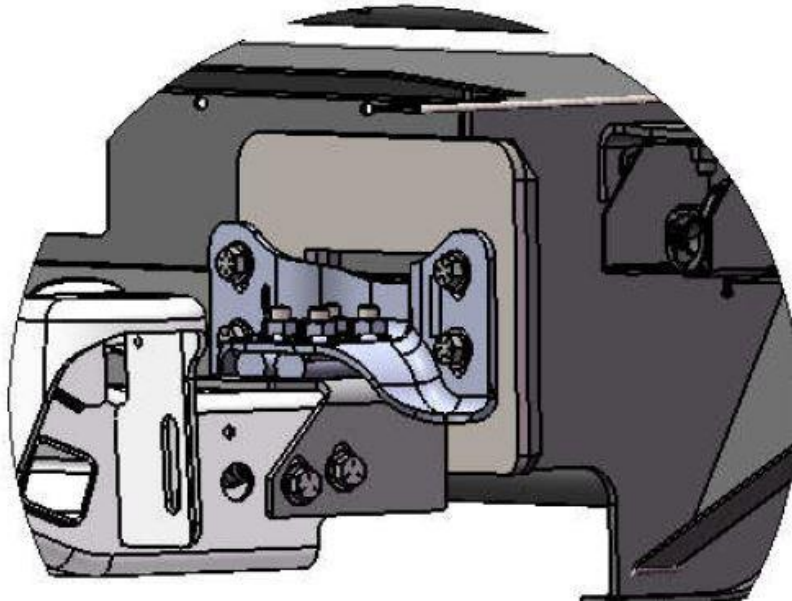


1-877-287-8634

INSTALLATION INSTRUCTIONS

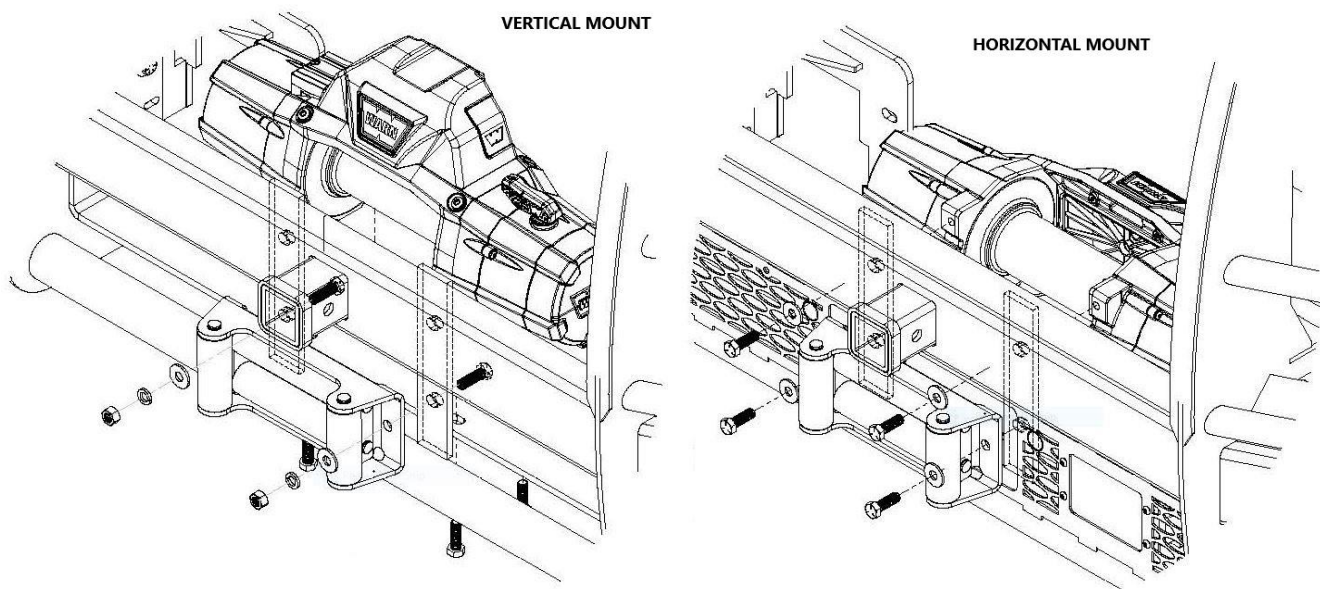
IMPORTANT NOTICE: Be sure to inspect and test fit product before having it coated or painted. Ranch Hand will not be responsible for the cost of the coating if any problems with fit or finish are not noted and addressed beforehand.

12. On models that have sensors, remove the “knock-out” holes in the skirts and bottom insert.



Install the rubber grommets.

13. **Warn 9.5k winches.** Mount the winch to the winch plate. Mount the winch plate to the three holes on the mounting brackets. Mount the fairlead to the slotted holes of the straps of the front bumper replacement. Note: winch can be mounted horizontally to the front straps.



WARNING

Special care should be exercised in the handling, storage and installation of Ranch Hand equipment.

The actual weight of each piece of equipment will vary depending on style and model. The weight of the equipment is sufficient in volume to warrant special care, assistance and in some instances, the use of mechanical equipment during the transfer and installation of the equipment.

Do not assume a position directly under the equipment during installation. Be sure the equipment has been connected and stabilized during installation to prevent falling or shifting of positions.

Periodically check tightness of bolts to make sure they are tight, and unlikely to fail.

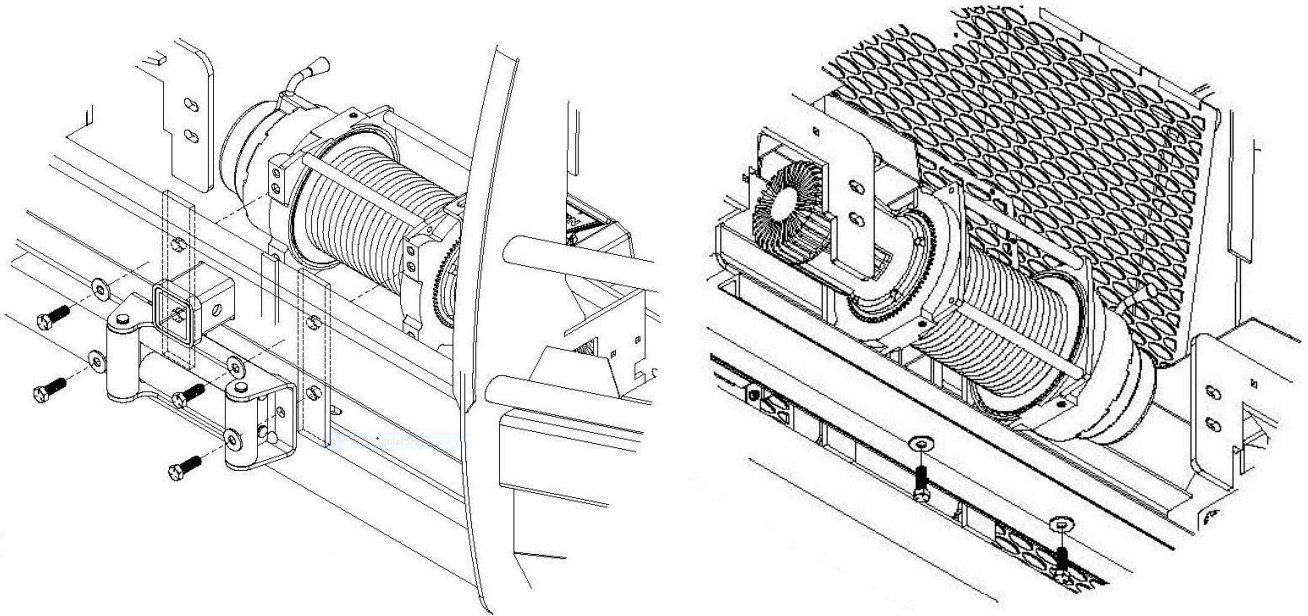


1-877-287-8634

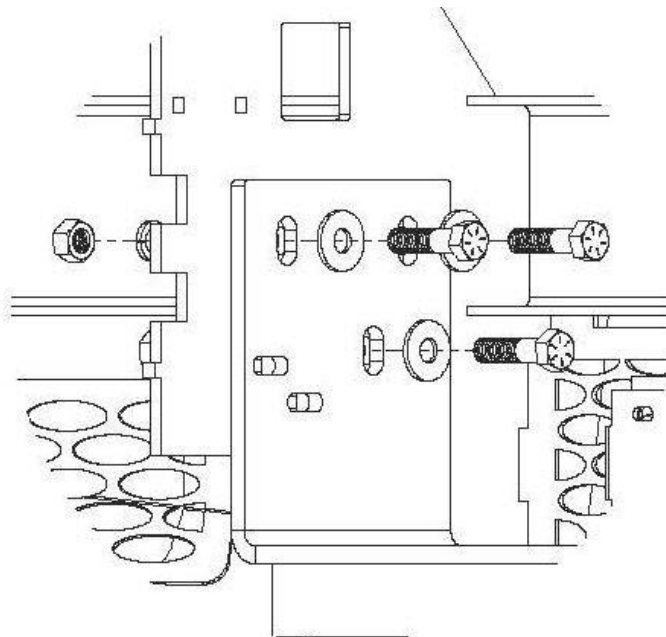
INSTALLATION INSTRUCTIONS

IMPORTANT NOTICE: Be sure to inspect and test fit product before having it coated or painted. Ranch Hand will not be responsible for the cost of the coating if any problems with fit or finish are not noted and addressed beforehand.

14. **Warn 12k – 16.5k winches.** Mount the winch by using the two holes that are located behind the formed channel. Use two more bolts to mount the fairlead roller to the bottom two holes of the straps located below the formed channel. The bolts will screw into the winch. Slide the winch plate under the winch. Use the back two holes to mount the winch plate to the winch.



15. Place six ½" x 2" bolts (three on each side) through winch plate and mounting brackets.



WARNING

Special care should be exercised in the handling, storage and installation of Ranch Hand equipment.

The actual weight of each piece of equipment will vary depending on style and model. The weight of the equipment is sufficient in volume to warrant special care, assistance and in some instances, the use of mechanical equipment during the transfer and installation of the equipment.

Do not assume a position directly under the equipment during installation. Be sure the equipment has been connected and stabilized during installation to prevent falling or shifting of positions.

Periodically check tightness of bolts to make sure they are tight, and unlikely to fail.

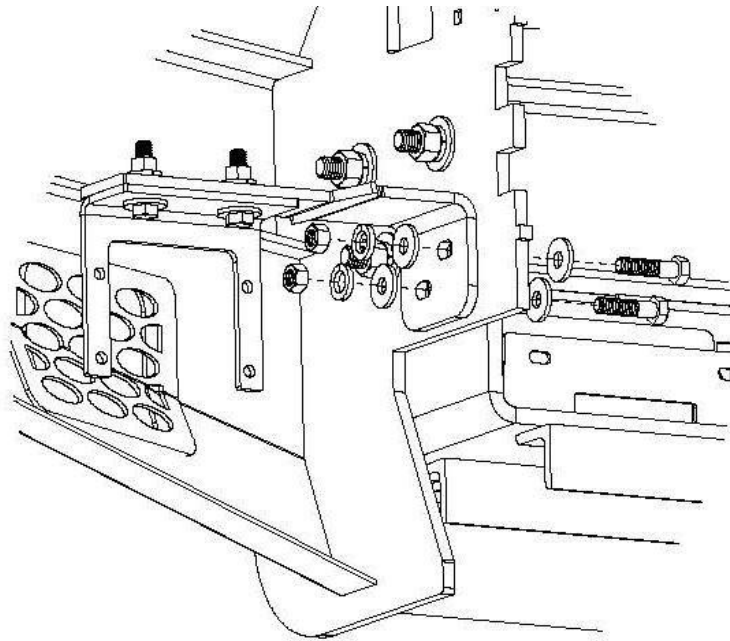


1-877-287-8634

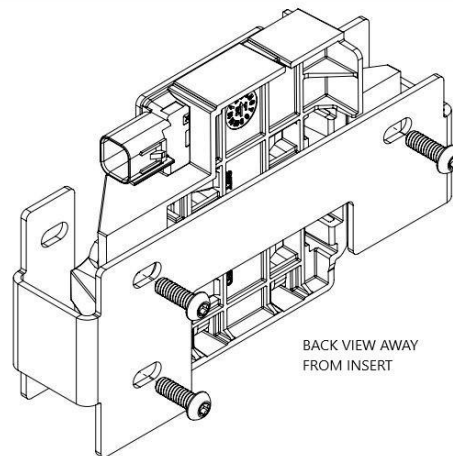
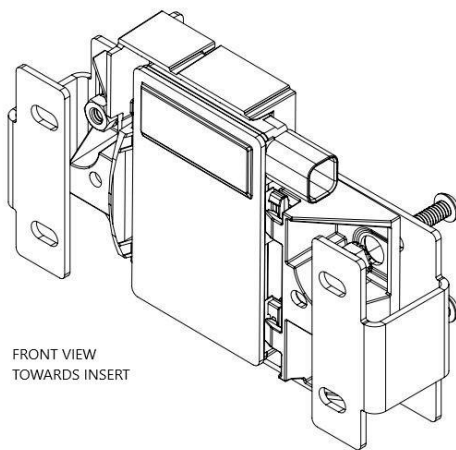
INSTALLATION INSTRUCTIONS

IMPORTANT NOTICE: Be sure to inspect and test fit product before having it coated or painted. Ranch Hand will not be responsible for the cost of the coating if any problems with fit or finish are not noted and addressed beforehand.

16. Remove the fog lights from the factory bumper (four 8mm bolts). Remove the fog lights out of the factory brackets.
17. Mount the fog light brackets to the light brackets using 3/8" hardware. Install the fog lights into the light brackets using black 1/4" bolts and kep nuts. Mount the assemblies to the front bumper using 3/8" hardware.



18. On models with Adaptive Cruise Control, install the module to the ACC bracket provided. install the ACC module to the back side of the bottom insert, along with the black plastic cover, to the driver side of the bottom insert. Use three 1/4" x 1" bolts and kep nuts. Install the black plastic in front of the module using 1/4" black cap screws and nuts.



WARNING

Special care should be exercised in the handling, storage and installation of Ranch Hand equipment.

The actual weight of each piece of equipment will vary depending on style and model. The weight of the equipment is sufficient in volume to warrant special care, assistance and in some instances, the use of mechanical equipment during the transfer and installation of the equipment.

Do not assume a position directly under the equipment during installation. Be sure the equipment has been connected and stabilized during installation to prevent falling or shifting of positions.

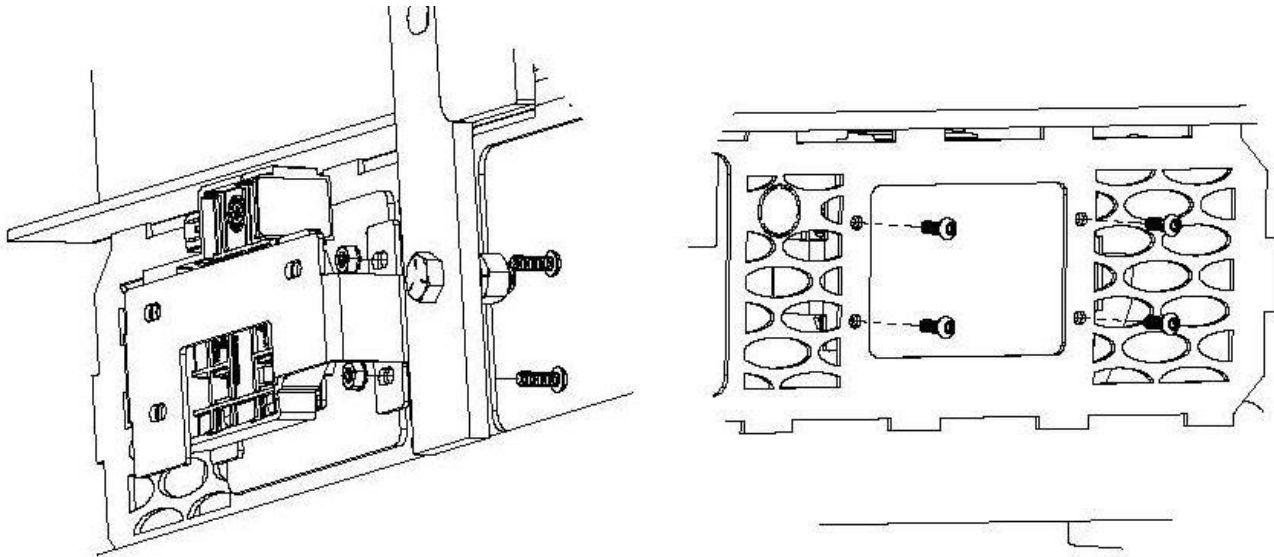
Periodically check tightness of bolts to make sure they are tight, and unlikely to fail.



1-877-287-8634

INSTALLATION INSTRUCTIONS

IMPORTANT NOTICE: Be sure to inspect and test fit product before having it coated or painted. Ranch Hand will not be responsible for the cost of the coating if any problems with fit or finish are not noted and addressed beforehand.



19. On models with Adaptive Cruise and Sensors, you will need to use the pigtail provide for the sensor next to the adaptive cruise module.
20. Mount the license plate to the two round holes on the bottom insert. They are located on the passenger side.
21. On models without camera in the grille, install small insert using black ¼" bolts and nuts.

MAKE SURE ALL NUTS AND BOLTS ARE TIGHT!

----- **WARNING** -----

Special care should be exercised in the handling, storage and installation of Ranch Hand equipment. The actual weight of each piece of equipment will vary depending on style and model. The weight of the equipment is sufficient in volume to warrant special care, assistance and in some instances, the use of mechanical equipment during the transfer and installation of the equipment. Do not assume a position directly under the equipment during installation. Be sure the equipment has been connected and stabilized during installation to prevent falling or shifting of positions. Periodically check tightness of bolts to make sure they are tight, and unlikely to fail.