

INSTALLATION GUIDE

FORD SUPER DUTY DSTC REAR BUMPER 17+



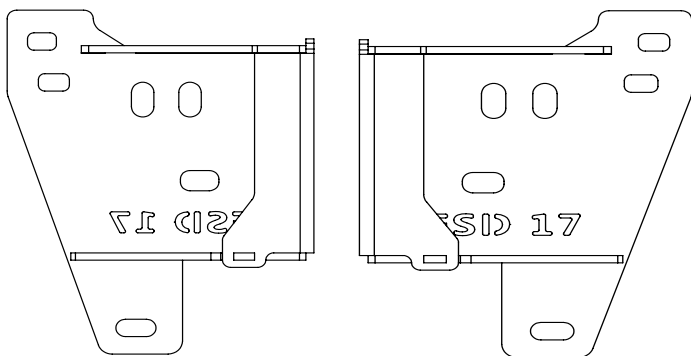
EXPEDITION ONE

CONTENTS

CONTENTS

Bumper Hardware	Page 2
Bumper Removal & Assembly	Page 3
Bracket Mounting	Page 4-5
Bumper Mounting	Page 6-7

REAR BUMPER HARDWARE



Hardware

1/2”-13 X 1 1/4” Hex Cap Bolt	8
1/2”-13 Nyloc Nut	8
1/2” USS Washer	16
License Plate Lights	2
Connectors	8
DSTC Tread Plate	1
Tread Plate Hardware	
1/4”-20 X 3/4” Button Head Bolt	20
1/4”-20 Nylock Nuts	20
Rear Bumper Sensor Plugs	4

Mounting Brackets



DSTC INSTRUCTIONS

See DSTC instructions for swing arms and related hardware

SKILL LEVEL - 3 STARS



1 STAR	★☆☆☆☆
2 STARS	★★☆☆☆
3 STARS	★★★☆☆
4 STARS	★★★★☆
5 STARS	★★★★★

EASY - No tools required
BASIC - Requires standard tools, basic mechanical knowledge and understanding
MODERATE - Requires standard tools. Some drilling and/or cutting.
ADVANCED - Requires speciality tools. Drilling, cutting, and/or welding
EXPERT - Professional installation recommended.

DISCLAIMER

Expedition One is not responsible for any damages to vehicle or injury.
We always recommend professional assistance when installing our vehicle products.

2 Always follow safety precautions including the use of safety gear and devices.

BUMPER REMOVAL

1 REMOVAL OF OEM BUMPER

Remove the rear bumper OEM hardware from the vehicle. Disconnect all wiring harness connectors (Drivers side license plate area) and remove the parking sensors from the bezels. Be careful not to break any clips or parts of the bezel as they will be reused in the new bumper (Remove the bezels once the bumper is removed). Check for any remaining hardware connecting the bumper. Remove the bumper by pulling it away from the vehicle.



Save the hardware (bolt plates and nuts) from the original mounting area (circled) as these will be used to mount the brackets for the new bumper.

BUMPER ASSEMBLY

2 WIRING HARNESS INSTALLATION

Reinstall the wiring harness into the new bumper. Place all wiring out of the way of mounting points and hardware locations. Check that the wiring loom connectors match their original points of connection per each side of the vehicle. Reattach all bezels and sensors.

3 LICENSE PLATE LIGHT INSTALLATION

Remove the original license plate lights by cutting off a small section of wire. Attach one set of connectors to the original wiring loom, connecting the opposite set to the provided lights. Insert the provided license plate light into the bumper. Connecting the wiring loom and light wires via the connectors. Do not match wiring by color, it is likely that you will need to connect opposite or different colors.



4 TREAD PLATE AND DROP PIN PLATE

Install the tread plate and drop pin plates to both sides using the provided hardware. Remove the plastic covering after installing the bumper.



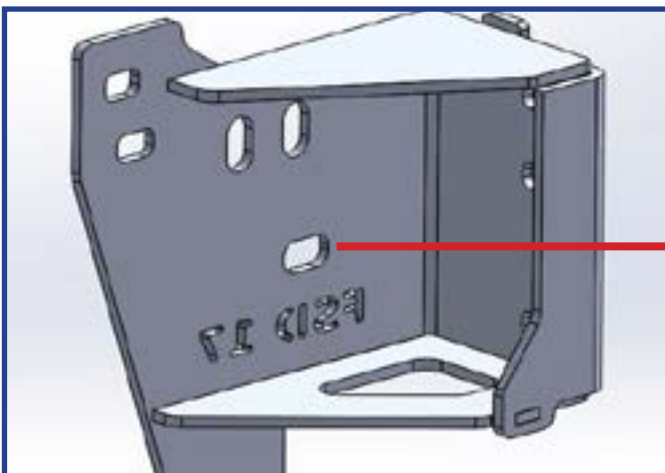
5 INSTALLATION OF KICK PLATE HARDWARE

See DSTC instructions.

BRACKET MOUNTING

6 FRAME HOLE DRILLING

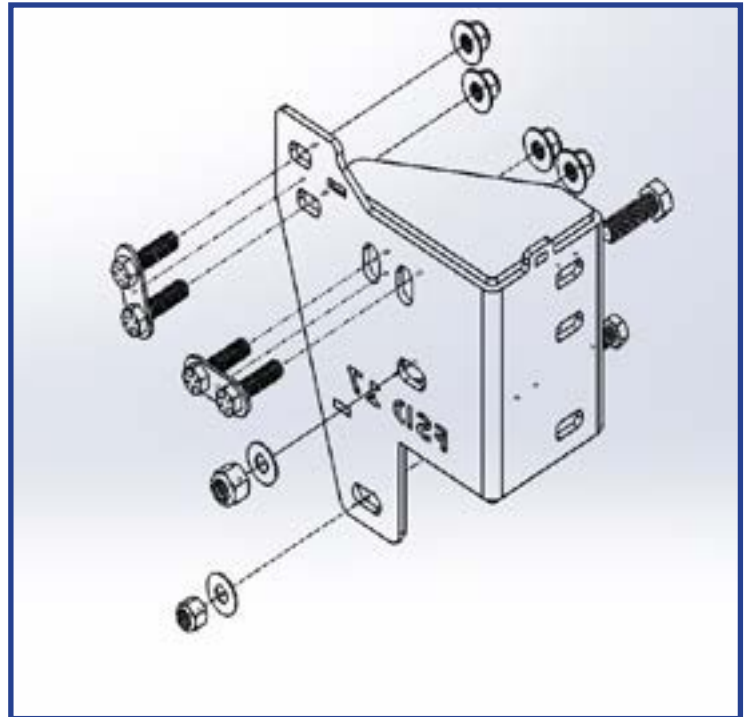
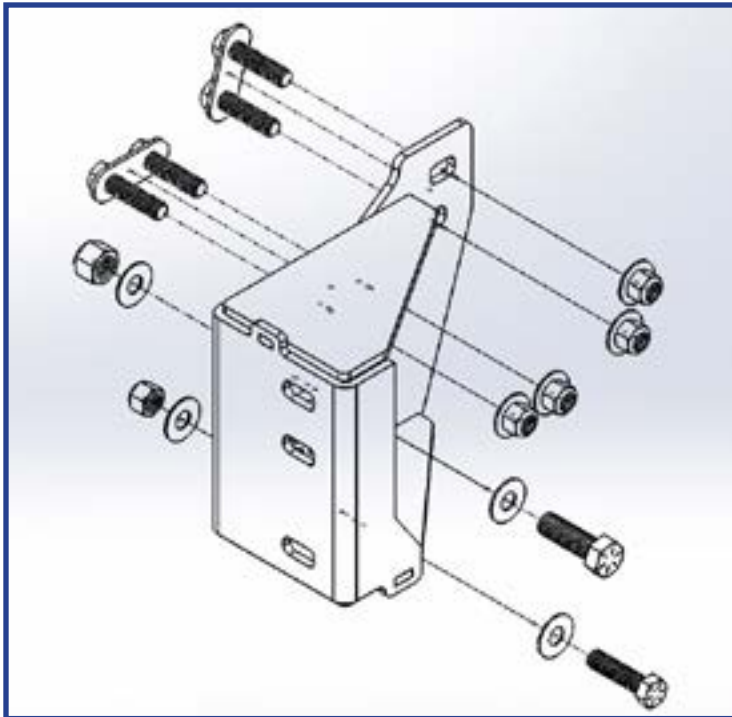
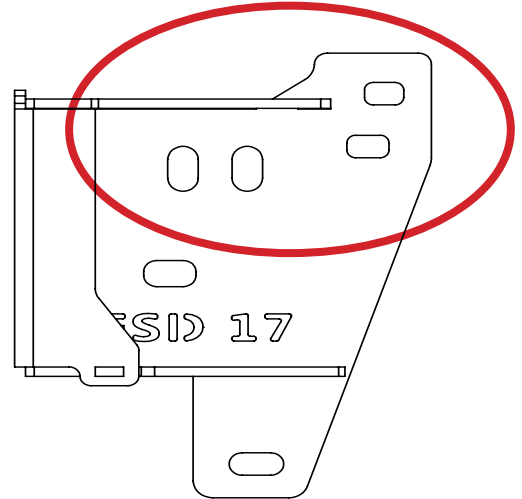
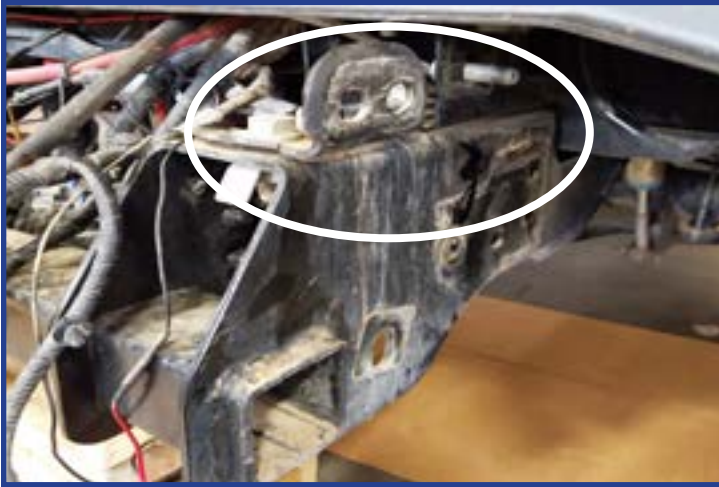
Loosely mount the brackets to the frame using the original bolt plates and nuts. With the brackets in place mark the hole location as shown below for drilling into the frame. Remove the bracket and drill the hole to fit a 5/8" bolt. Paint or cover the new hole with paint or other covering to prevent rust. Repeat for both sides.



Drill hole into the frame in this location to fit a 5/8" bolt.

7 BRACKET MOUNTING

Install the mounting brackets as shown to the frame using the original bolt plates, nuts, (circled area) and provided hardware Repeat for the other side. Leave all hardware loose for adjustment.

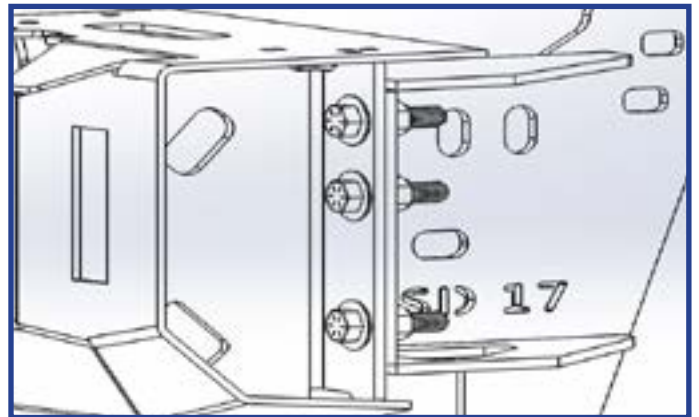
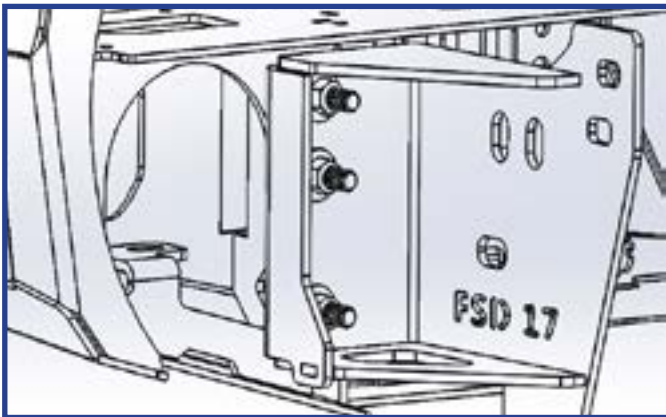
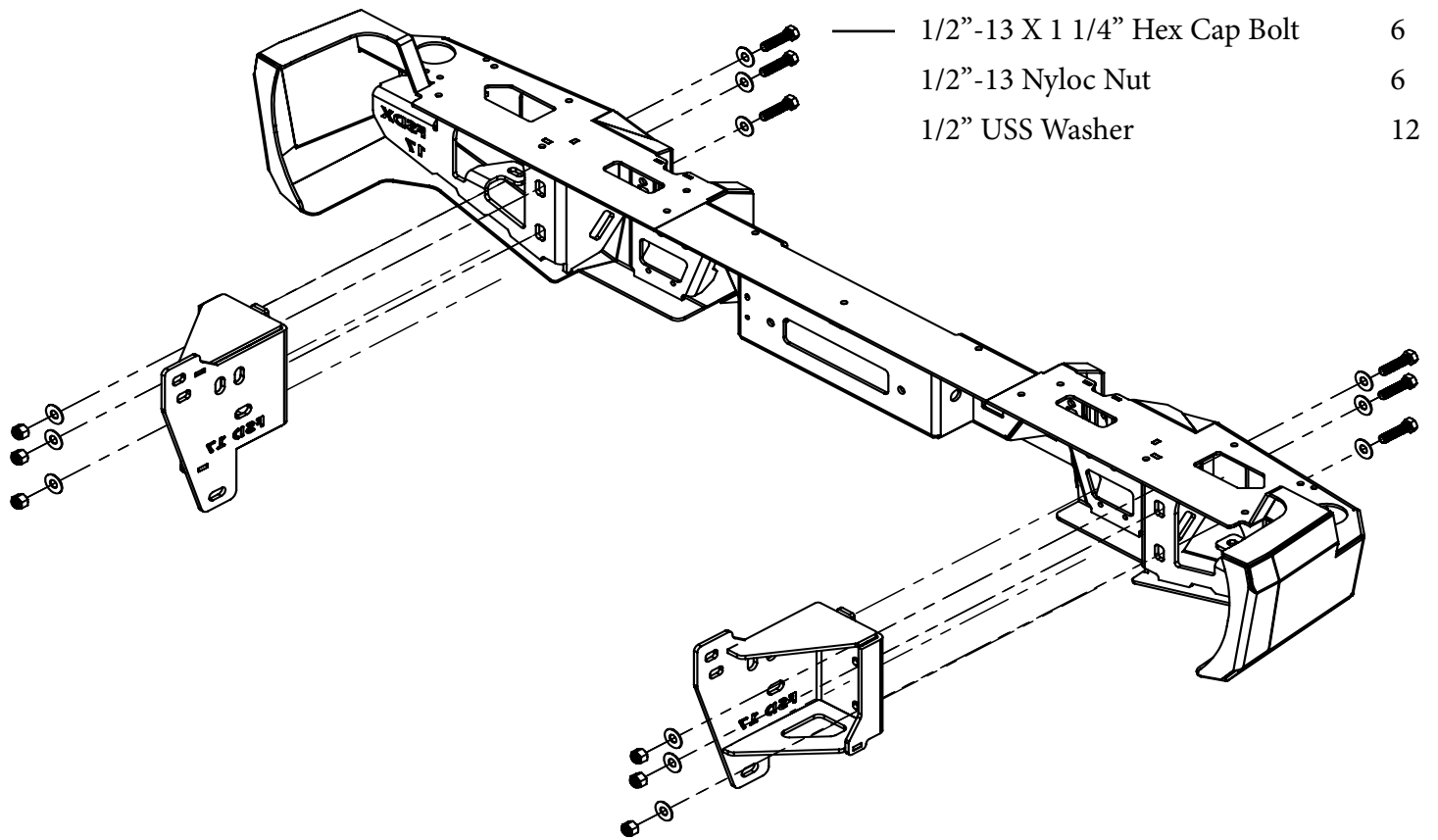


BUMPER MOUNTING

8 BUMPER INSTALLATION

Mounting the bumper as shown to the brackets using the provided 1/2" hardware. Repeat for the other side. Leave all hardware loose for adjustment.

Once in place center the bumper with the vehicle and align gaps before tightening all hardware.



1/2" Hardware - Tighten to recommended 90 ft-lbs
5/8" Hardware - Tighten to recommended 160 ft-lbs

9 CONNECT WIRING

Reconnect the parking sensors and wiring harness to the vehicles electronics.

10 DSTC INSTALLATION

See DSTC instructions for installation of swing arms and related items.

Latch Video Link - <https://vimeo.com/317344083>