

RANCH HAND

INSTALLATION INSTRUCTIONS

GRILL GUARD for: 2015 CHEVY 2500HD/3500HD TRUCK PART# GGC151BL1 / PBC151BL1 / GGC151BLS / PBC151BLS

**** Included in your bolt pack are tabs to cover the two center sensors on 2014 and 2015 GM vehicles equipped with front park assist sensors. Due to the inconsistency of the sensor function, once an aftermarket Grill Guard is installed we have found this to be an effective means of eliminating errors in the system. This in no way is intended to disrupt the function of the Park Assist system, only to prevent the system from recognizing the grill guard as an obstacle and allow you to gain the protection of the grill guard. ****

1. Start with the driver side. Remove the side and bottom tow hook bolts.
2. Remove the tow hook. Slide the formed side of the mounting bracket (ITEM 2) through the tow hook opening. The mounting bracket will be installed to the outside of the frame. Place the side of the tow hook into the provided slot in the lower mounting bracket. Reinstall the tow hook to its original position. Make sure the bolt goes through the lower mounting bracket, frame and tow hook. Use the 2 factory bolts to mount the mounting bracket to the frame per side.
3. Follow the same steps for the passenger side using (ITEM 1).
4. Open the hood and remove the plastic radiator cover. There will be (12) plastic clips.
5. Remove the (4) 10 mm bolts holding the grille in place. Carefully pry grille away from its position (10) snap clips.
6. Remove the top 2 inner 15 mm bumper bolts. Do one side at a time. Mount the top bracket (ITEM 3), with two bends, over the hole and reinstall the bumper bolt. The smaller slotted hole gets mounted to the back side of the factory bumper. The top bracket will angle outward to the side of the vehicle. Do the same for the other side (ITEM 4).
7. Mount the grille guard to the bottom and top brackets. Use the ½” carriage bolts (ITEMS 5,6,7) to install. *If the brackets are a little wide, you can push them in when you get ready to slide the grille guard over the brackets.* Level the grille guard and then tighten carriage bolts.
8. Tighten all the bolts and then reinstall the grille and plastic radiator cover.

MAKE SURE ALL NUTS AND BOLTS ARE TIGHT!

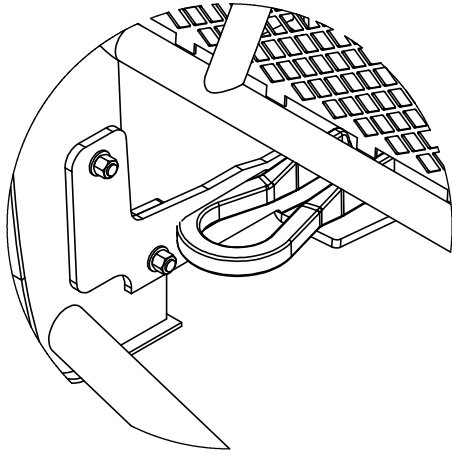
----- WARNING -----

Special care should be exercised in the handling, storage and installation of Kaspar Ranch Hand equipment. The actual weight of each piece of equipment will vary depending on style and model. The weight of the equipment is sufficient in volume to warrant special care, assistance and in some instances, the use of mechanical equipment during the transfer and installation of the equipment.

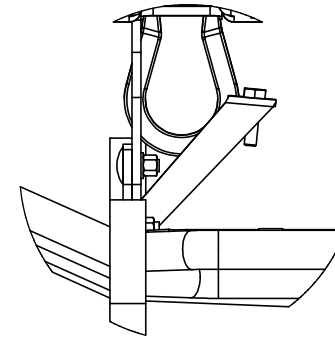
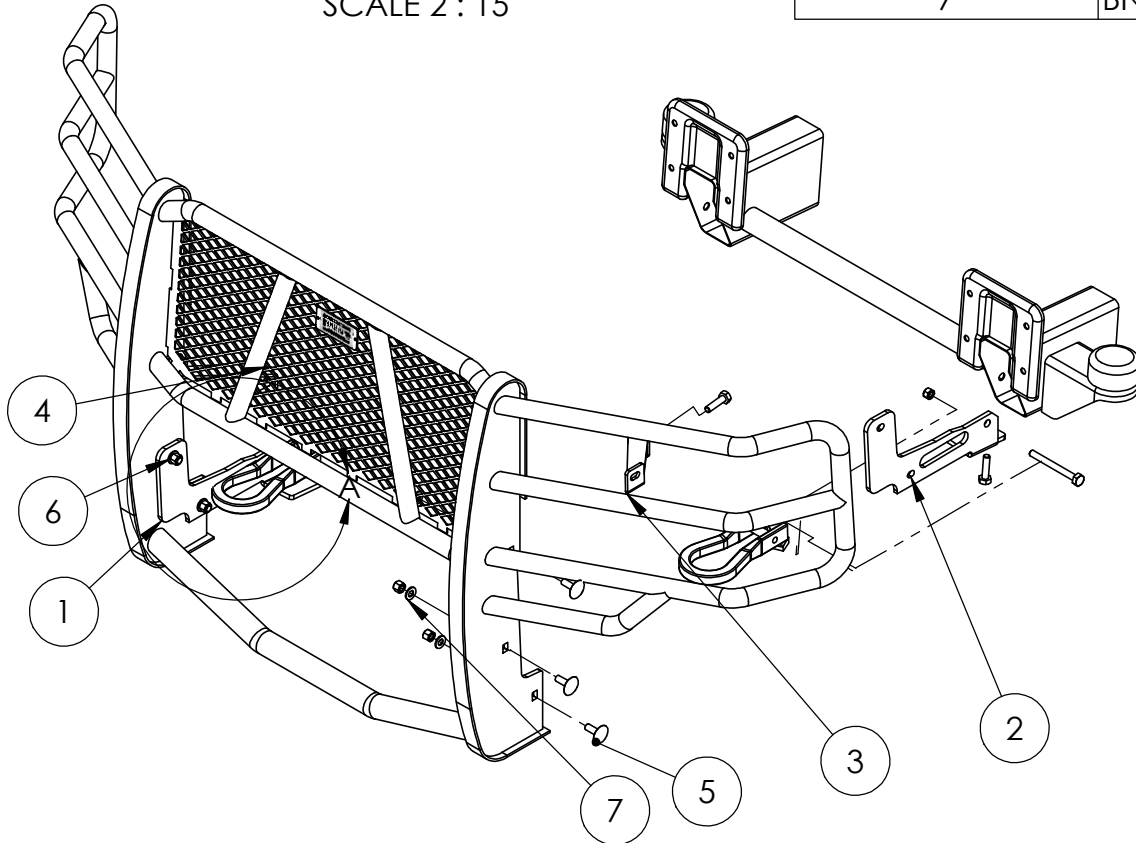
Do not assume a position directly under the equipment during installation. Be sure the equipment has been connected and stabilized during installation to prevent falling or shifting of positions. Periodically check tightness of bolts to make sure they are tight, and unlikely to fail.

GGC151BL1 / GGC151BLS PBC151BL1 / PBC151BLS

ITEM NO.	PART NUMBER	DESCRIPTION	QTY.
1	GGC151MBPBL	MOUNTING BRACKET PASSENGER	1
2	GGC151MBDBL	MOUNTING BRACKET DRIVER	1
3	GGC151TMBDBL	TOP MOUNTING BRACKET DRIVER	1
4	GGC151TMBPBL	TOP MOUNTING BRACKET PASSENGER	1
5	BO-568	BLK. CARRIAGE BOLT 1/2" - 13 X 1 1/2"	6
6	BN-143	BLK. LOCK NUT 1/2" - 13	6
7	BN-169	BLK. FLAT WASHER 1/2"	6



DETAIL A
SCALE 2 : 15



DETAIL B
SCALE 1 :
SCALE 1 : 8

