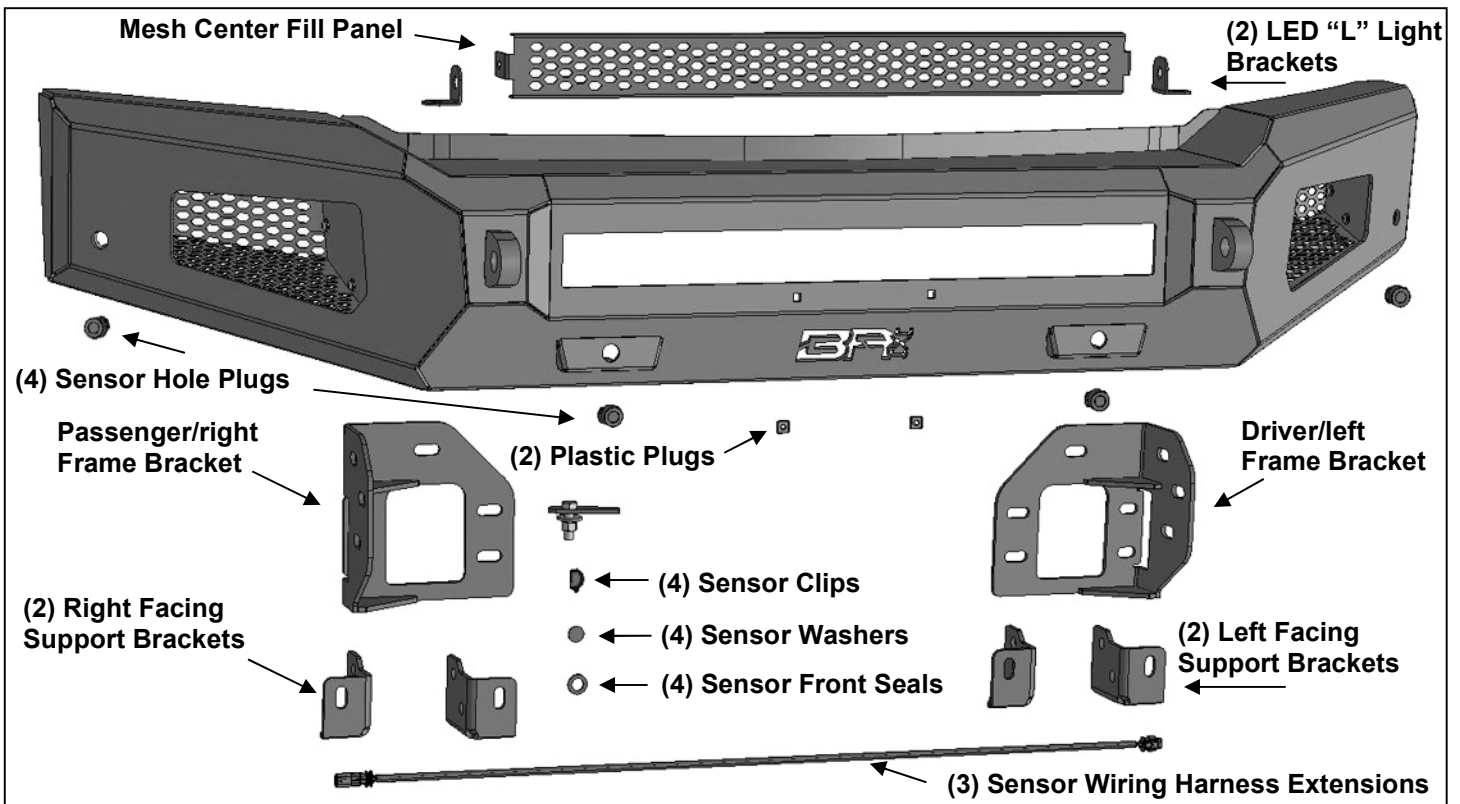


2019-2020 CHEVY SILVERADO 1500 AMBUSH SERIES FRONT BUMPER (NON-WINCH) PART #GM-19344

PARTS LIST:

1	Front Bumper Assembly	8	12-1.75mm x 40mm Bolt Plates
1	Mesh Fill Panel	10	12-1.75mm x 45mm Hex Bolts
1	Driver/left Frame Mounting Bracket	28	12mm x 32mm x 3mm Flat Washers
1	Passenger/right Frame Mounting Bracket	18	12mm Lock Washers
2	Left Facing Support Brackets	18	12-1.75mm Hex Nuts
2	Right Facing Support Brackets	4	8-1.25mm x 25mm Hex Bolt
2	LED "L" Mounting Brackets	2	8-1.25mm x 16mm Hex Bolt
2	Plastic Plugs for License Plate	8	8mm x 24mm x 2mm Flat Washer
4	15.5mm x 25mm x 2mm Foam Seals	4	8mm Lock Washers
4	20mm x 2mm Foam Washers	4	8mm Hex Nuts
4	Sensor Retaining Clips	8	4mm x 10mm Button Head Bolt
4	Rubber Sensor Plugs	1	4mm Wrench
1	Sensor Cover Kit	1	2.5mm Wrench
3	Wiring Harness Extensions	10	Plastic Wire Ties



PROCEDURE:

REMOVE CONTENTS FROM BOX. VERIFY ALL PARTS ARE PRESENT. READ INSTRUCTIONS CAREFULLY BEFORE STARTING INSTALLATION. ASSISTANCE IS RECOMMENDED TO AVOID POSSIBLE INJURY OR DAMAGE TO THE VEHICLE.

1. Open the hood and remove the plastic cover from the top of the grille and radiator, (**Figure 1**). Models with grille mounted camera, unplug camera. Next, remove the screws attaching the grille to the radiator core support. Once all hardware has been removed, firmly pull the grille straight out from the vehicle to release the grille from the clips, (**Figure 2**). Place grille on a clean, soft surface.
2. Remove the license plate and bracket. On models with factory fog lights and/or bumper sensors, unplug the wiring harness leading to the bumper, (**Figure 3**). **NOTE:** Wiring harness connector is located up and behind the passenger/right side of the bumper. Release clips attaching passenger/right fender liner to access plug for harness. Move harness away from bumper.
3. From behind the driver/left side of the bumper, remove the hardware attaching the outer bumper support to the side of the outer end of the bumper, (**Figure 4**).
4. Locate and remove the hex bolts attaching the bottom of the bumper to the bumper bracket attached to the end of the frame, (**Figure 5**).
5. Repeat **Steps 3 & 4** to remove the hardware attaching the bumper to the passenger/right bumper support and lower bumper bracket.
6. Move back to the top of the bumper. Pull back the end of the rubber cover between the bumper and the radiator to expose the bolts attaching the top of the bumper bracket to the frame bracket, (**Figure 6**).
7. Place blocks or jack stands under the front bumper to support it during mounting bolt removal. Once the bumper has been safely supported, from above, remove the bumper bolts attaching the bumper assembly to the top of the bumper bracket, (**Figure 6**). **WARNING!** Assistance is required to hold the bumper in place during bolt removal to prevent the bumper from falling. Carefully slide the bumper assembly with brackets off of the ends of the frame.
8. **IMPORTANT-MODELS WITH DIESEL OPTION ONLY:** Refer to instructions included with shutter relocation and cover kit to remove shutter and shroud assembly, (kit available separately). All other models Skip to **Step 9**. **NOTE:** On diesel models, it may be necessary to remove shutter assembly to remove the driver/left tow hook and hardware, (**see Step 10**).
9. Remove both bumper brackets from the end of the frame and outer support brackets, (**Figure 7**).
10. Remove the tow hooks if equipped. **NOTE:** tow hooks cannot be reinstalled, (**Figure 7**).
11. Reinstall the plastic grille, plug in the camera if equipped and reinstall the cover (**Step 1, Figure 8**).
12. Select the driver/left Frame Mounting Bracket, (**Figure 9**). Reuse the (3) factory bumper bolts to attach the top mounting holes on the Mounting Bracket to the threaded bumper mount, (**Figures 9 & 10**).
13. Select (1) Left Facing and (1) Right Facing Support Bracket, (**Figure 11**). Starting on the driver/left side, attach the Right Facing Support Bracket to the inner facing side of the frame with (2) 12mm Bolt Plates, (2) 12mm Flat Washers, (2) 12mm Lock Washers and (2) 12mm Hex Nuts, (**Figures 11 & 14**). **NOTE:** Insert Bolt Plates into the open end of the frame and out through the holes in the side of the frame for the tow hook. Repeat this **Step** to attach (1) Left Facing Support Bracket to the outer facing side of the frame, (**Figures 11 & 13**). Do not tighten hardware at this time.
14. Attach the Support Brackets to the (2) lower holes in the back of the Mounting Bracket with (2) 12mm x 45mm Hex Bolts, (4) 12mm Flat Washers, (2) 12mm Lock Washers and (2) 12mm Hex Nuts, (**Figures 12 & 14**). Snug but do not fully tighten hardware at this time.
15. Repeat **Steps 11—13** to install the passenger/right Support Brackets and Frame Bracket, (**Figure 13**).
16. Determine if the vehicle is equipped front sensors:

Models without bumper sensors:

- a. Select the included (4) Rubber Plugs.
- b. From behind bumper, push plugs into sensor mounting holes, (**Figure 15**). Screws have been provided to lock the plugs in the sleeve. Use is optional.

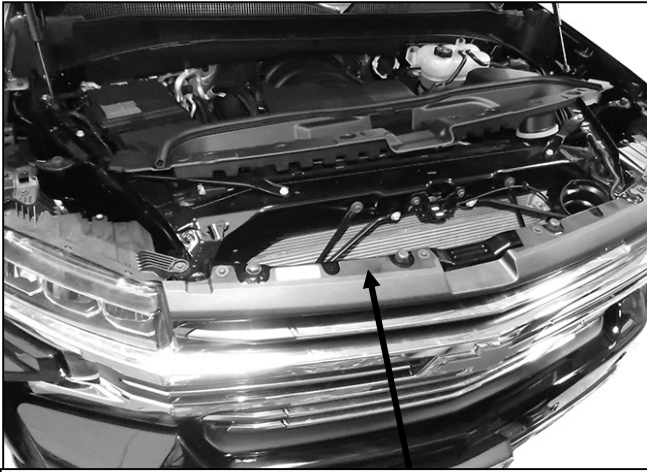
Models with bumper mounted sensors:

- a. Disassemble front bumper to unplug and remove sensors and wiring harness from bumper.
- b. Select (1) sensor. Remove the silicone seal from the end of the sensor. Slide the included larger Foam Sensor Seal over front of sensor, (**Figure 16**).
- c. Insert sensor with Seal into sensor mount, (**Figure 17**).

- d. Place Foam Washer over end of sensor. Push Sensor Retaining Clip into sensor mount and lock into mounting holes, **(Figure 17)**.
 - e. Repeat previous Steps to install remaining sensors.
 - f. Install wiring harness for sensors. **NOTE:** it may be necessary to remove some of the protective wrap around the harness to reach all sensor mounts.
 - g. Use the included (3) Sensor Wiring Harness Extensions as necessary to extend the reach of the harness to the sensors. Use the included Wire Ties to secure harness to Bumper.
- 17. Center LED light installation** (light sold separately).
- a. Select the “L” Brackets, **(Figure 18)**. Attach the Brackets to the top of the (2) mounting tabs welded onto the back of the bumper with the included (2) 8mm x 25mm Hex Bolts, (4) 8mm Flat Washers, (2) 8mm Lock Washers and (2) 8mm Hex Nuts. Leave loose at this time.
 - b. Attach the LED light assembly to the “L” Brackets with the included (2) 8mm x 16mm Hex Bolts, (2) 8mm Lock Washers and (2) 8mm Flat Washers, **(Figure 18)**. Do not fully tighten hardware.
 - c. Follow light manufacturer’s instructions to properly wire light once bumper has been installed.
- 18. Center Fill Panel installation** (no center light installed).
- d. Select the “L” Brackets, **(Figure 18)**. Attach the Brackets to the top of the (2) mounting tabs welded onto the back of the bumper with the included (2) 8mm x 25mm Hex Bolts, (4) 8mm Flat Washers, (2) 8mm Lock Washers and (2) 8mm Hex Nuts. Leave loose at this time.
 - e. Attach the Center Fill Panel to the “L” Brackets with the included (2) 8mm x 25mm Hex Bolts, (4) 8mm Flat Washers, (2) 8mm Lock Washers and (2) 8mm Hex Nuts, **(Figure 19)**.
 - f. Push Fill Panel up against back of Bumper. Align Panel to Bumper and tighten hardware.
- 19. LED light installation at ends of bumper** as supplied with bumper or sold separately.
- a. Insert light into opening in the passenger/right side of the Bumper and up to mounting slot. Check for clearance between front and back of light. If necessary, remove screen from back of opening, **(Figure 20)**.
 - b. Attach (1) light to the slot in the top of the light opening, **(Figure 20)**.
 - c. Repeat the above steps for driver/left side light installation.
 - d. Follow light manufacturer’s instructions to properly wire light once bumper has been installed.
- 20.** With assistance, position the Bumper Assembly up to the outside of the Frame Brackets. Temporarily support the weight of the Bumper. **WARNING:** To avoid possible injury or damage to the vehicle, do not proceed until the Bumper is fully and safely supported.
- 21.** Line up the (3) slots in the driver/left side mounting plate on the back of the Bumper with the (3) slots in the Frame Mounting Bracket. Attach the driver/left side of the Bumper to the outside of the Bracket with the included (3) 12mm x 45mm Hex Bolts, (6) 12mm Flat Washers, (3) 12mm Lock Washers and (3) 12mm Hex Nuts, **(Figures 21 & 22)**. Repeat this **Step** to attach the passenger/right side of the Bumper.
- 22. IMPORTANT-MODELS WITH DIESEL OPTION ONLY:** At this point, refer to instructions included with shutter relocation and cover kit to attach the Cover to the back of the Bumper and front of the Brackets, (kit available separately). All other models Skip to **Step 23**.
- 23.** Level and adjust the bumper and fully tighten all hardware.
- 24.** If front license plate is required, insert the included (2) Plastic Plugs into the square holes in the Bumper. Reuse the factory screws to attach the license plate to the Plastic Plugs, **(Figure 23)**.
- 25.** Do periodic inspections to the installation to make sure that all hardware is secure and tight.

To protect your investment, Do not use any type of polish or wax that may contain abrasives that could damage the finish. Mild soap may be used to clean the Front Bumper assembly.

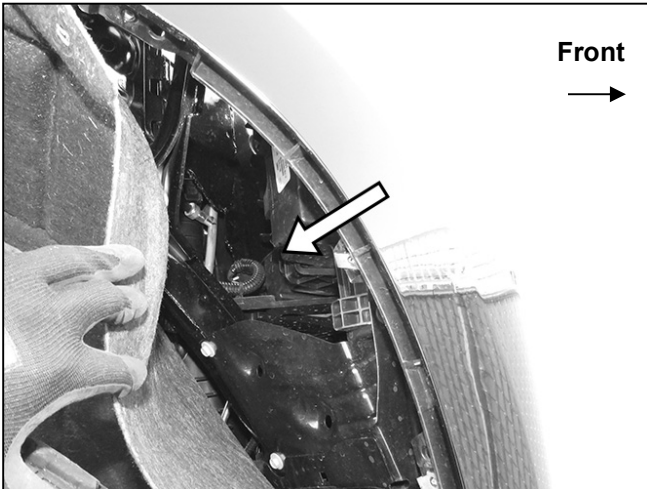
Driver/left Side Installation Pictured



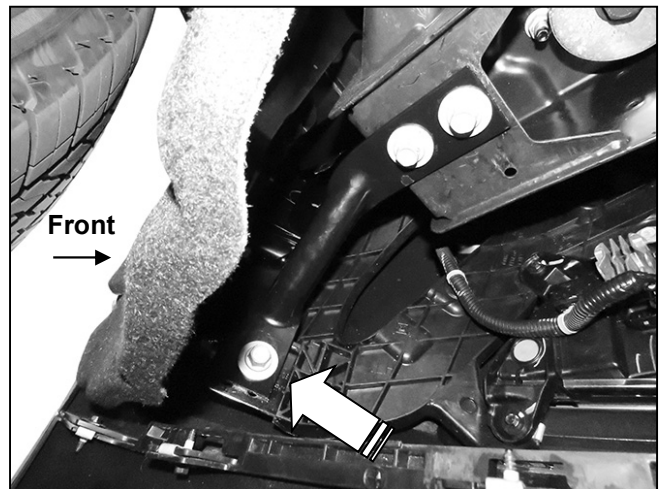
(Fig 1) Remove cover and screws attaching grille



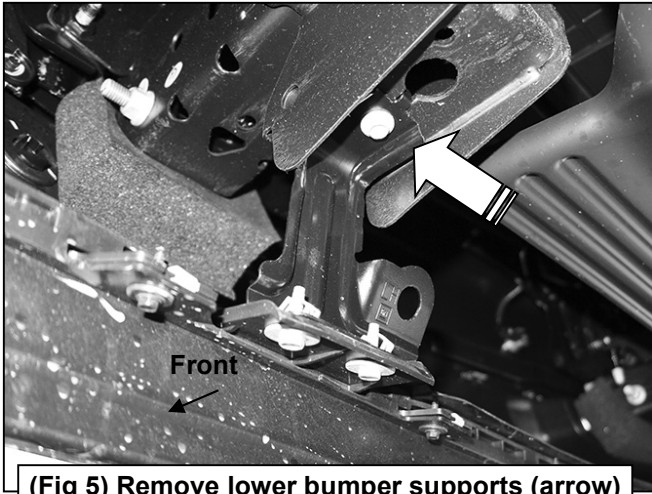
(Fig 2) Firmly pull grille straight out from vehicle



(Fig 3) Through the passenger/right fender liner, unplug wiring harness leading to front bumper (arrow)



(Fig 4) Remove the hardware attaching the outer support bracket to the bumper (arrow)

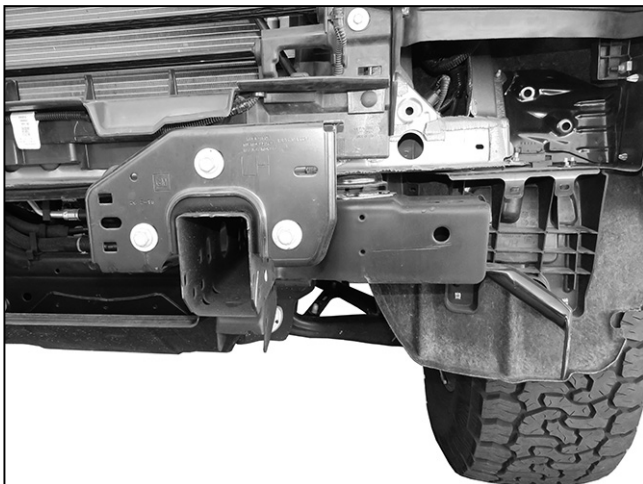


(Fig 5) Remove lower bumper supports (arrow)

WARNING! Do not crawl under bumper unless the bumper is properly supported on blocks or stands or the bumper may fall.



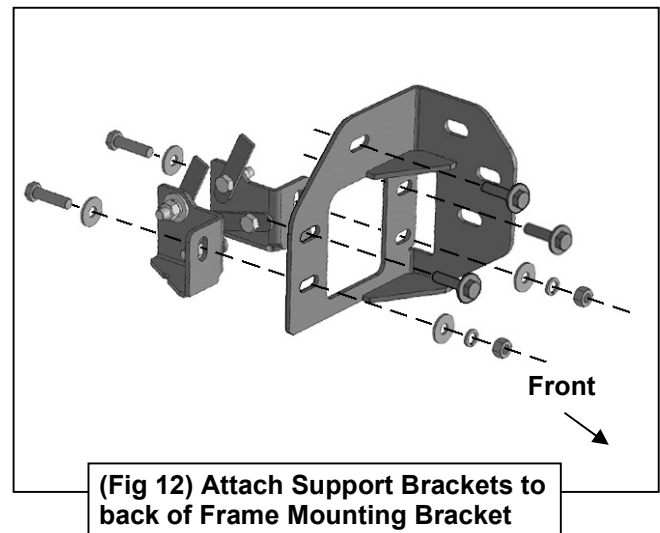
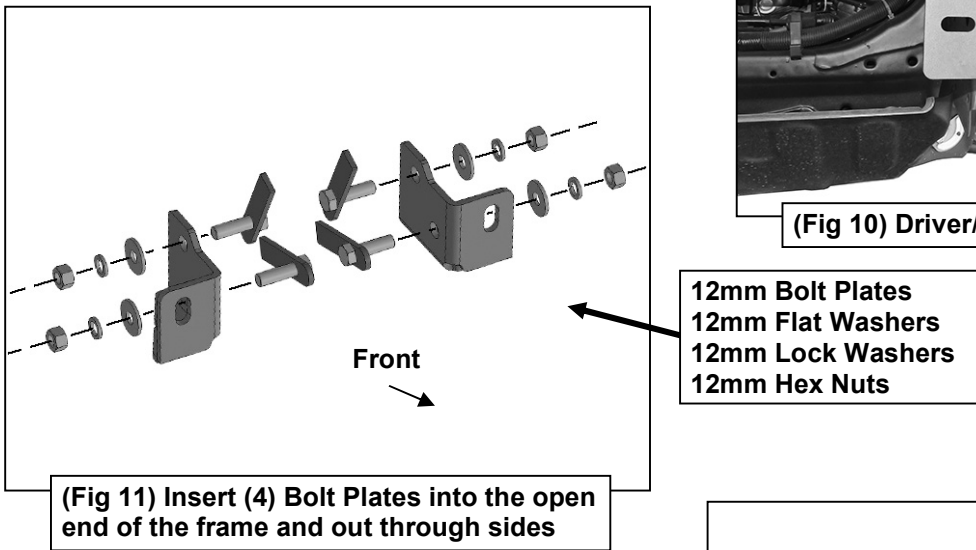
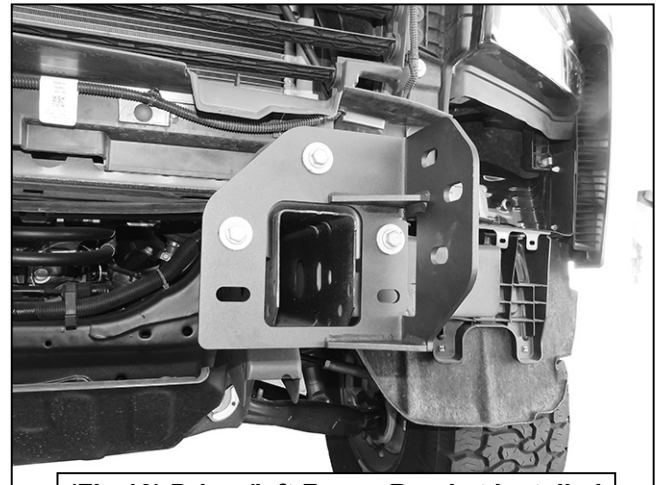
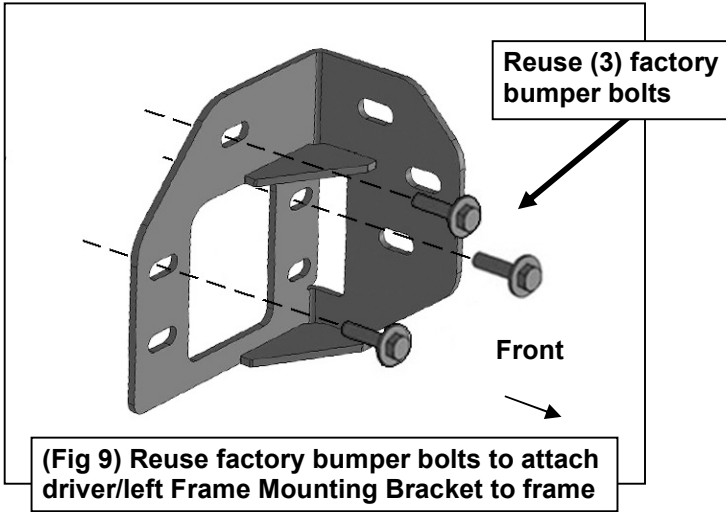
(Fig 6) Pull back cover to locate top bumper bolts

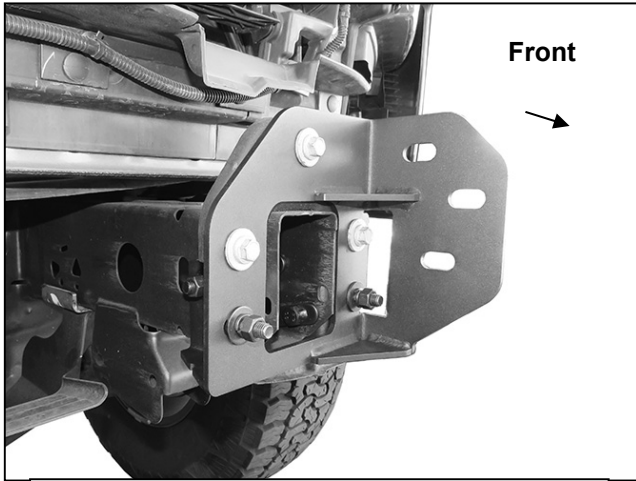


(Fig 7) Remove factory bumper brackets, outer support brackets and and tow hooks if equipped

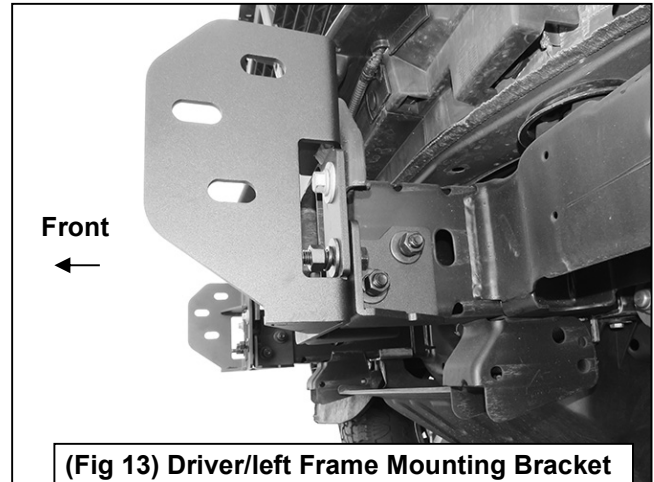


(Fig 8) Reinstall grille and cover

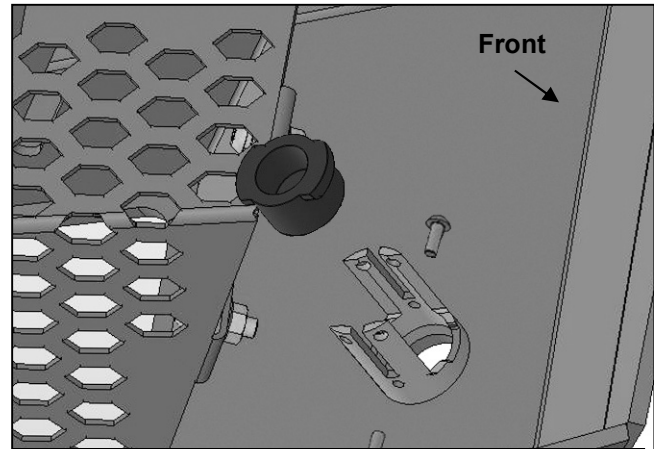




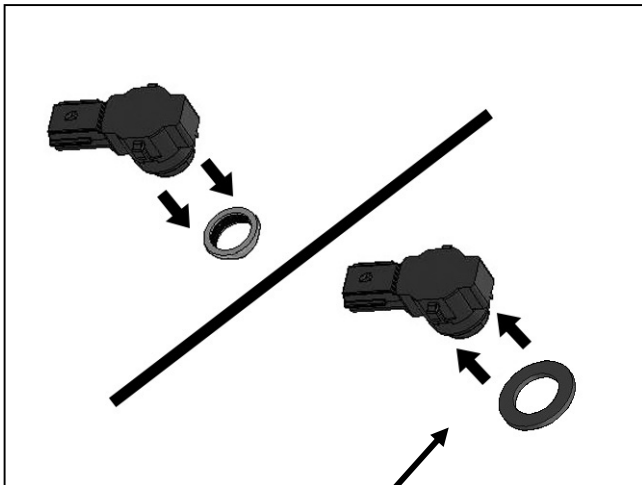
(Fig 14) Driver/left Frame Mounting Bracket and inner Support Bracket installed



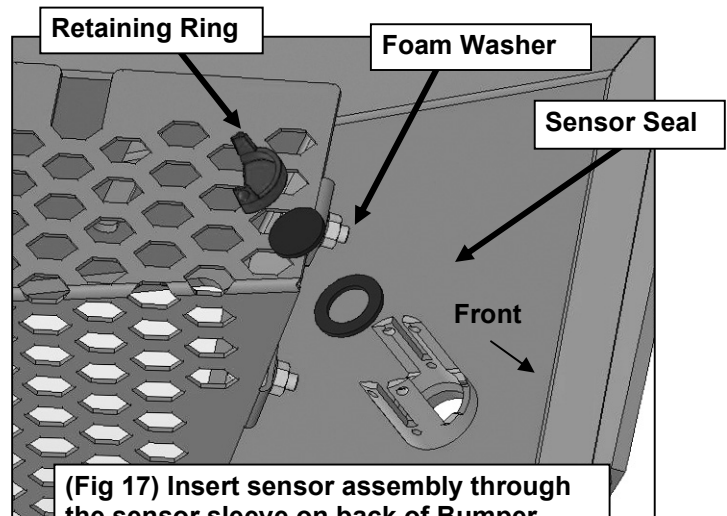
(Fig 13) Driver/left Frame Mounting Bracket and outer Support Bracket installed



(Fig 15) Push sensor plug into mounting sleeve



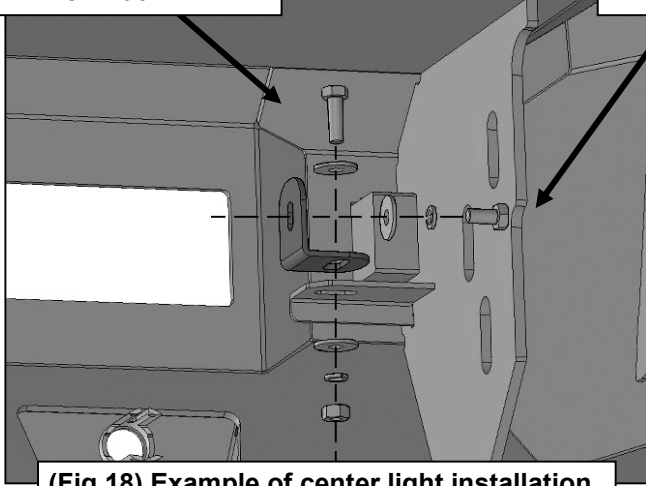
(Fig 16) Remove silicone seal from sensor. Slide large Seal over end of sensor (arrow)



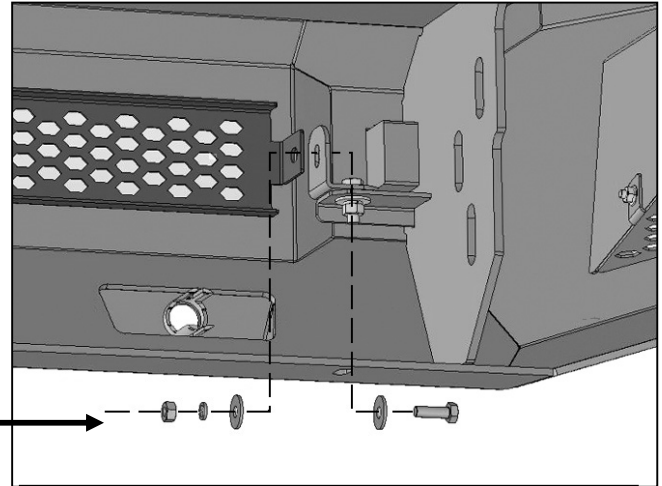
(Fig 17) Insert sensor assembly through the sensor sleeve on back of Bumper

8mm x 25mm Hex Bolt
(2) 8mm Flat Washers
8mm Lock Washer
8mm Hex Nut

8mm x 16mm Hex Bolt
8mm Lock Washer
8mm Flat Washer



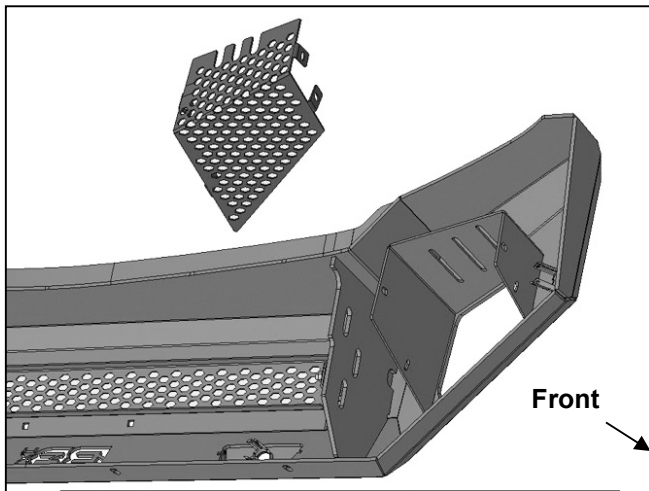
(Fig 18) Example of center light installation



(Fig 19) Example of Mesh Fill Panel installation

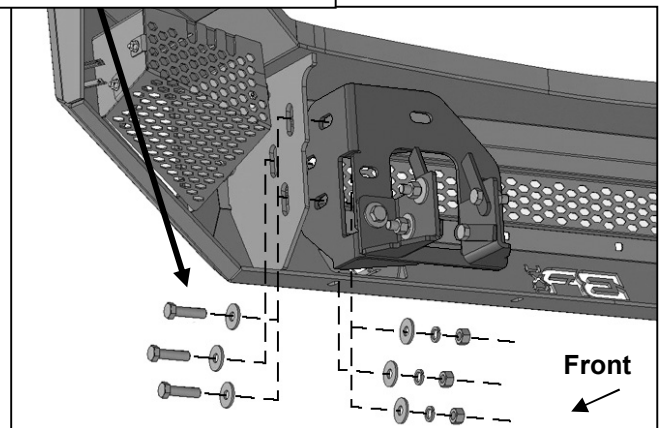
8mm x 25mm Hex Bolt
(2) 8mm Flat Washers
8mm Lock Washer
8mm Hex Nut

WARNING! Do not crawl under bumper unless the bumper is properly supported on blocks or stands or the bumper may fall.

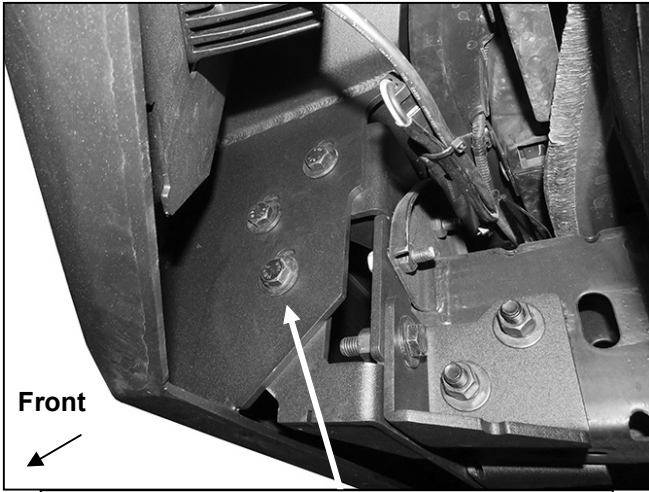


(Fig 20) Remove screens if necessary, for clearance/access to outer light mounts

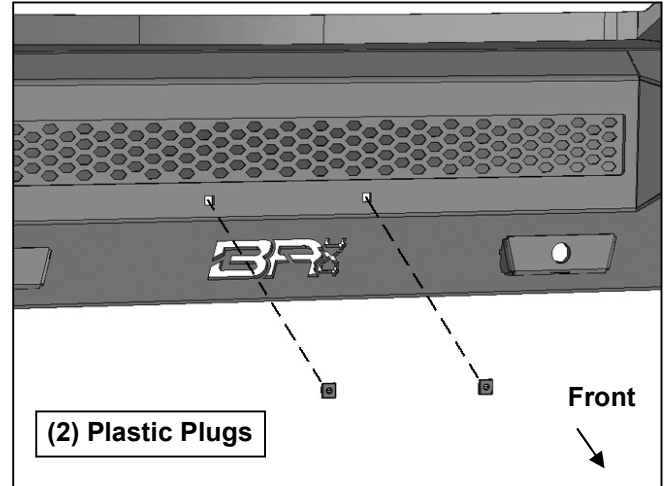
(3) 12mm x 50mm Hex Bolts
(6) 12mm Flat Washers
(3) 12mm Lock Washers
(3) 12mm Hex Nuts



(Fig 21) Attach the Bumper to Frame Bracket



(Fig 22) Attach Bumper to outside of Mounting Bracket (driver/left side pictured)



(Fig 23) Push Plastic Plugs into front of Bumper for license plate