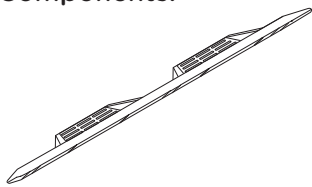


GTS26CH

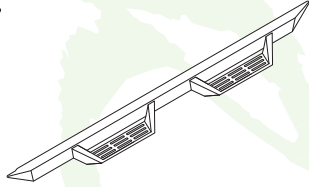
MAGNUM RT STEPS



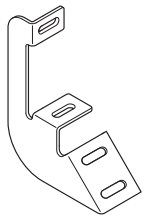
Components:



Passenger Side Step Bar
Qty 1



Driver Side Step Bar
Qty 1



Mounting Brackets
Qty 6



Front Armor Plates
Qty 2

Hardware:



M8 x 25 mm Hex Head Bolts
Qty 18



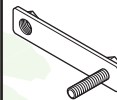
M8 Hex Head Nuts
Qty 6



M8 Flat Washers
Qty 24



M8 Lock Washers
Qty 24

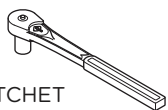


RTSPN175 Bolt/Nut Plates
Qty 6



M8 Plastic Push Nuts
Qty 6

Tools Required:



RATCHET



TORQUE WRENCH



13MM SOCKET



RETAINER REMOVAL TOOL

Torque Specifications:

For Rocker Panel Mount Installations
M8 through M12 bolts and nuts are set to 15-20 ft lbs.

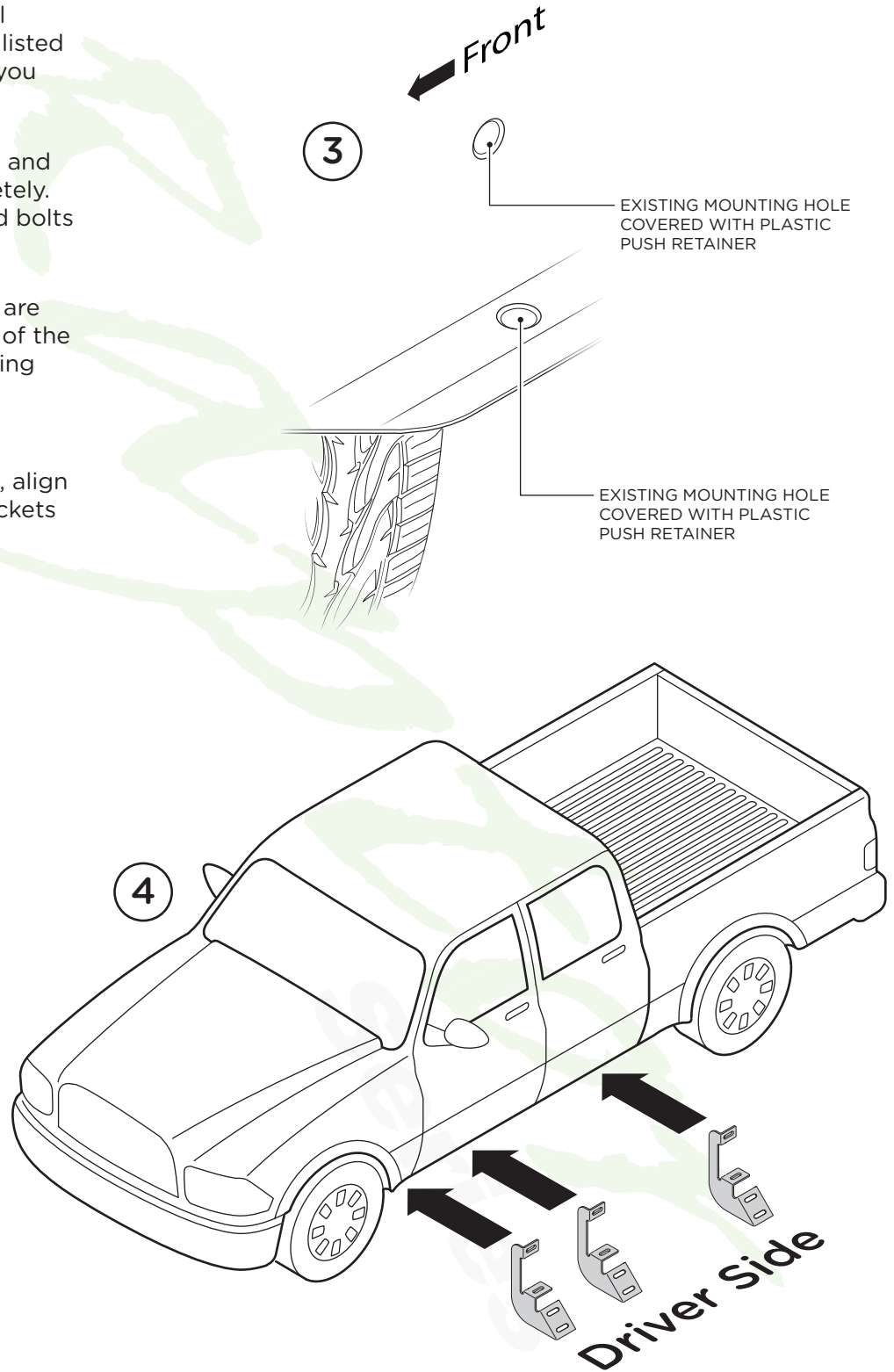
Note: When installing the brackets and bars, all hardware must be left loose until all the items are attached.

1. Remove all contents from the package and check steps for any damage. Also, verify that all components and hardware listed above are included before you begin installation.

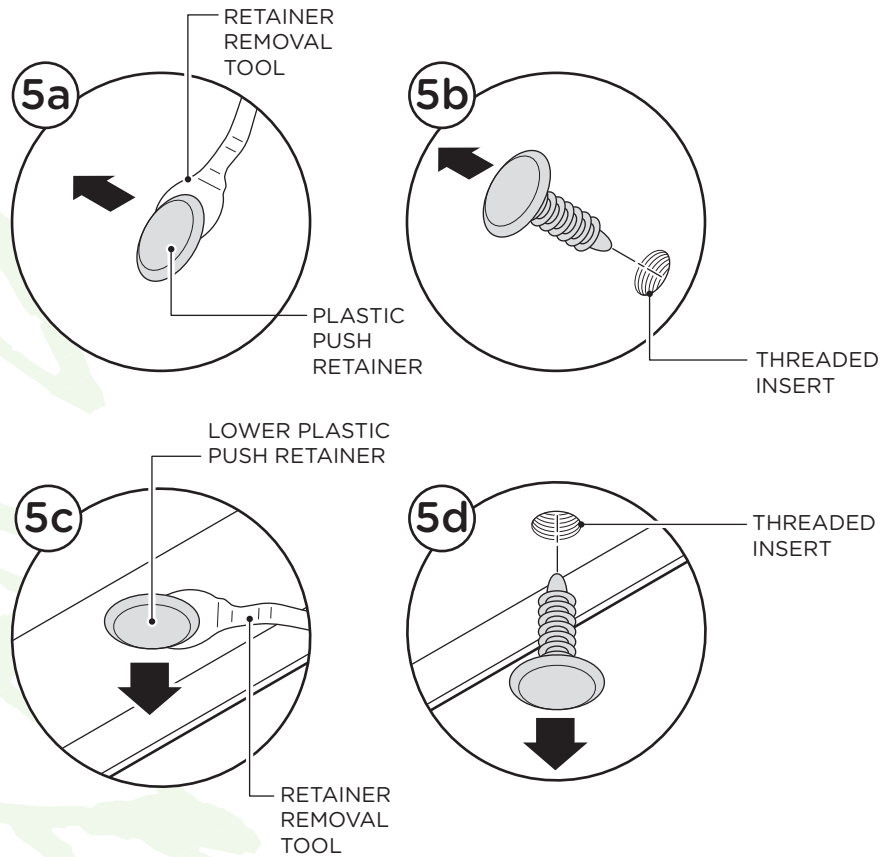
2. Read installation manual and installation drawing completely. Understand all brackets and bolts before installation.

3. Existing mounting holes are located on the interior wall of the rocker panel. These mounting holes will be used per the following instruction.

4. On driver side of vehicle, align Front, Center and Rear Brackets as shown.

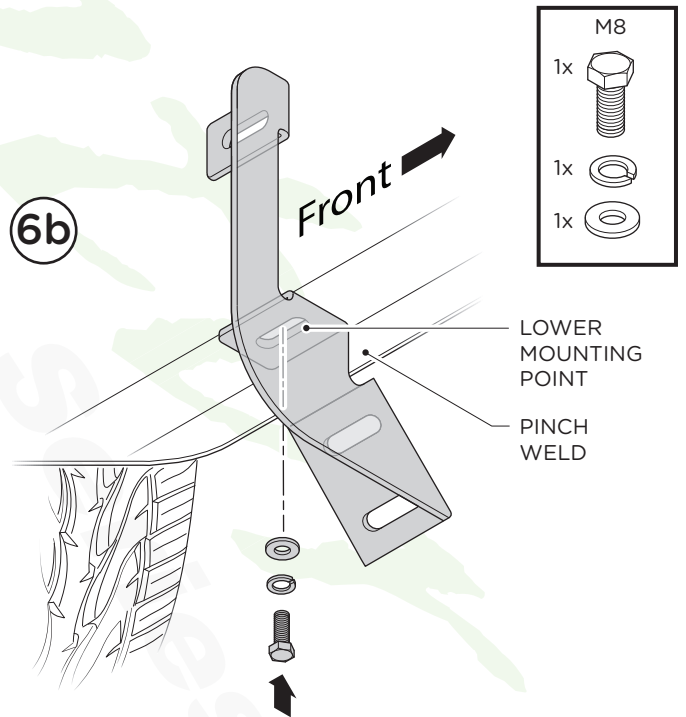
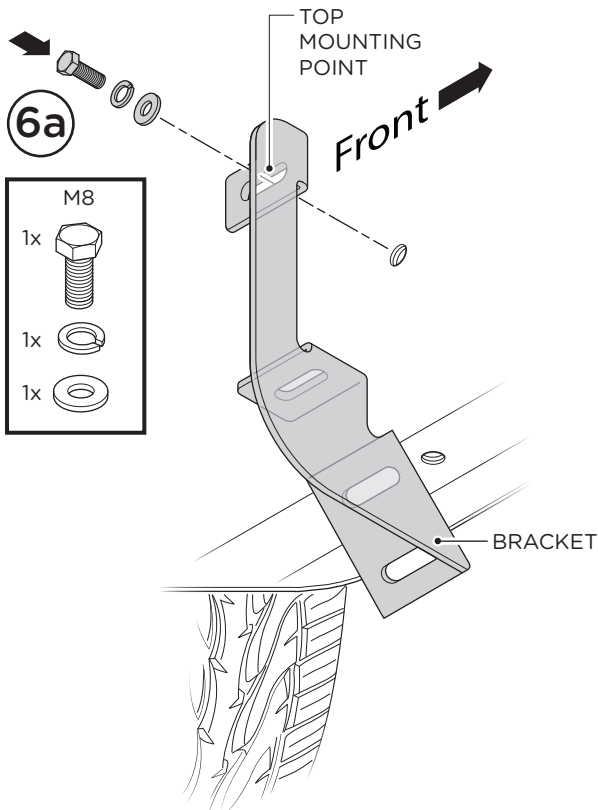


5. Starting from the front of the cab, locate the first, third and fifth set of plastic push retainers on the rocker panel. Remove the retainers using a Retainer Removal Tool. This will expose threaded inserts on the rocker panel used for mounting the brackets to the vehicle.



6. Fasten the top mounting point of each bracket to the rocker panel using one (1) M8 x 30 mm Hex Head Bolt, one (1) M8 Flat Washer and one (1) M8 Lock Washer (6a).

Complete installation of brackets by fastening the lower mounting point of each bracket to the pinch using one (1) M8 x 30 mm Hex Head Bolt, one (1) M8 Flat Washer and one (1) M8 Lock Washer (6b).



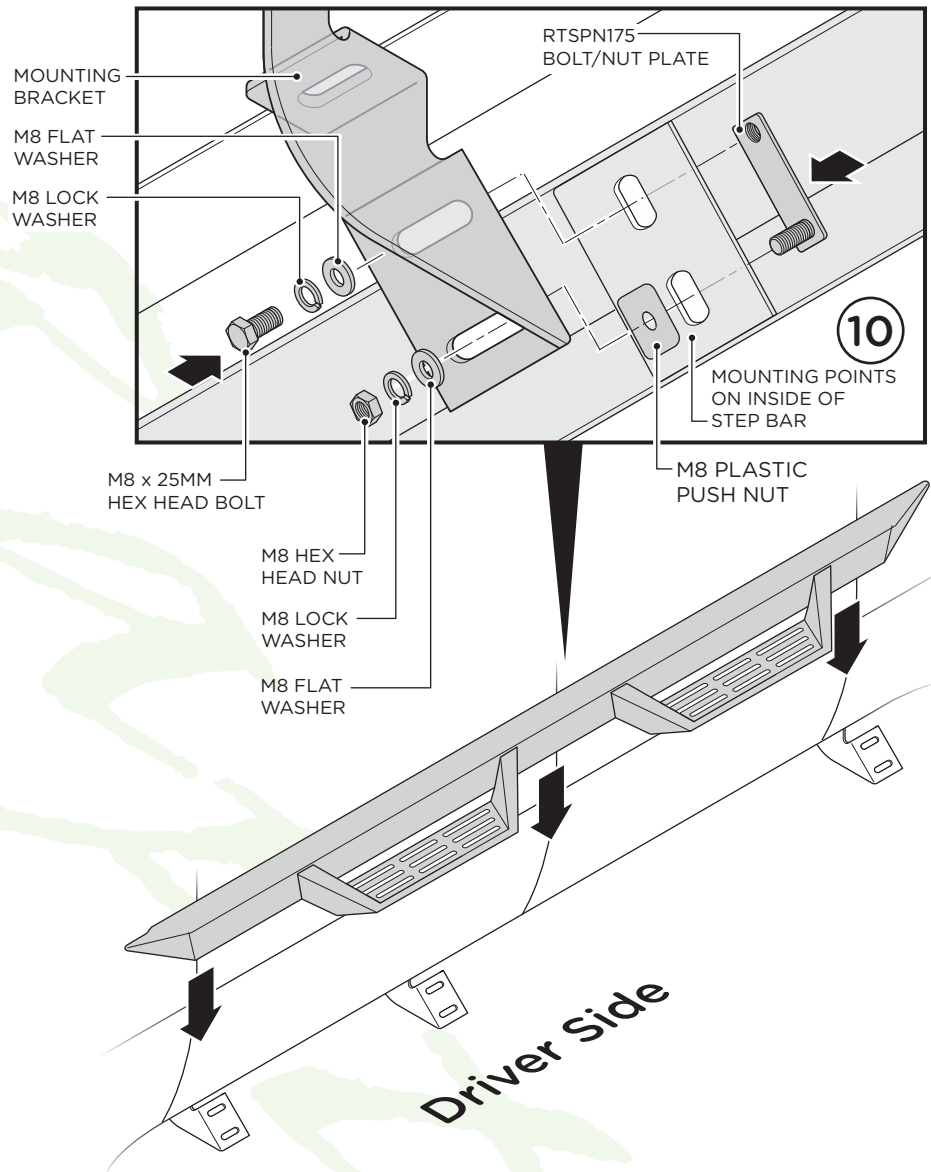
Installing the Step Bar

9. Line up mounting points on the step bar with the mounting holes in each bracket.

10. Fasten the step bar to each bracket using one (1) RTSPN175 Bolt/Nut Plate, one (1) Plastic Push Nut, one (1) M8 Hex Head Nut, two (2) M8 Lock Washers, two (2) M8 Flat Washers and one (1) M8 x 25MM Hex Head Bolt.

11. Adjust the bars front/back and up/down to desired placement. Once you have the step positioned, tighten until the split lock washer is flat between the bolt head and flat washer. Do not over tighten.

12. When all hardware is in place, everything must be tightened. See page 1 for torque specifications. Repeat these steps for opposite side installation.



OPTIONAL:

If you wish to install the Front Armor Plates, begin by thoroughly cleaning the front side of the front step where the Front Armor Plate will attach.

1. Remove adhesive protection from the Front Armor Plate.

2. Carefully line up with the front side of the front step. Be careful not to let the side overhang as they could peel off over time.

Once lined up, firmly press the Front Armor Plate on the step to ensure complete adhesion.

Repeat these steps for opposite side.

