

INSTALLATION MANUAL

HRLBS100

Level of Difficulty

Easy

Installation difficulty levels are based on time and effort involved and may vary depending on the installer level of expertise, condition of the vehicle and proper tools and equipment.

Parts List

Qty	Description
1	Light mounting bracket
2	Self-drilling screw, 1/4" - 14 x 3/4"
1	Headache rack*

*Sold separately

Tools Required

Drill	Nut driver, 3/8"
-------	------------------

Torque Specifications

1/4" bolt	11 ft-lbs.
-----------	------------

Use above torque setting unless otherwise noted

Product Photo



NOTICE

Visit www.ranchhand.com for a full-color copy of this instruction manual, as well as helpful videos, guides and much more!

Before you begin installation, read all instructions thoroughly.

Proper tools will improve the quality of installation and reduce the time required.

Periodic inspection of your product should be performed to ensure all hardware and / or components remain secure.

To help prevent damage to the product or vehicle, refer to the specified torque specifications when securing hardware during the installation process.

Maintenance

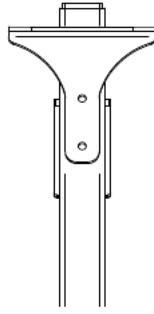
Mild automotive detergent may be used to clean the product. Do not use dish detergent, abrasive cleaners, abrasive pads, wire brushes or other similar products that may damage the finish.

Product Registration and Warranty

Ranch Hand stands behind our products with industry-leading warranties. To get copies of the product warranties, register your purchase or provide feedback, visit: warranty.curtgroup.com/surveys

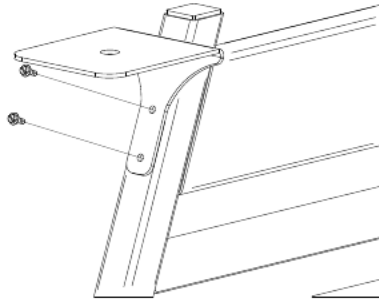
Step 1

Line the bracket up with the mounting holes centered on the headache rack side tube at the desired height.



Step 2

Use a 3/8" nut driver and drill to install the self-drilling screws in each of the two mounting holes. Verify the bracket is level before installing the 2nd screw.



Step 3

Install the light per manufacturer's instructions.