

INSTALLATION MANUAL

This is the second of two manuals required to complete this installation. The first manual is included with your mounting brackets.

Level of Difficulty

Easy

Installation difficulty levels are based on time and effort involved and may vary depending on the installer level of expertise, condition of the vehicle and proper tools and equipment.

Parts List

Item	Qty	Description
1	1	Headache rack
2	1	Removable center rack
3	4	Button head bolt, 1/2" - 13 x 1.25", grade 5
4	8	Flat washer, 1/2"
5	4	Lock washer, 1/2"
6	4	Cap nut, 1/2" - 13

Tools Required

Ratchet	Socket set
Allen wrench, 5/16"	Torque wrench

Torque Specifications

1/2" bolt	37 ft-lbs.
-----------	------------

Use above torque setting unless otherwise noted

Product Registration and Warranty

Ranch Hand stands behind our products with industry-leading warranties. To get copies of the product warranties, register your purchase or provide feedback, visit: curtmfg.com/registration

Product Photo



NOTICE

Visit www.ranchhand.com for a full-color copy of this instruction manual, as well as helpful videos, guides and much more!

Before you begin installation, read all instructions thoroughly.

Proper tools will improve the quality of installation and reduce the time required.

Periodic inspection of your product should be performed to ensure all hardware and / or components remain secure.

Shock assemblies need to be greased upon install and periodically to ensure smooth and quiet operation.

To help prevent damage to the product or vehicle, refer to the specified torque specifications when securing hardware during the installation process.

Maintenance

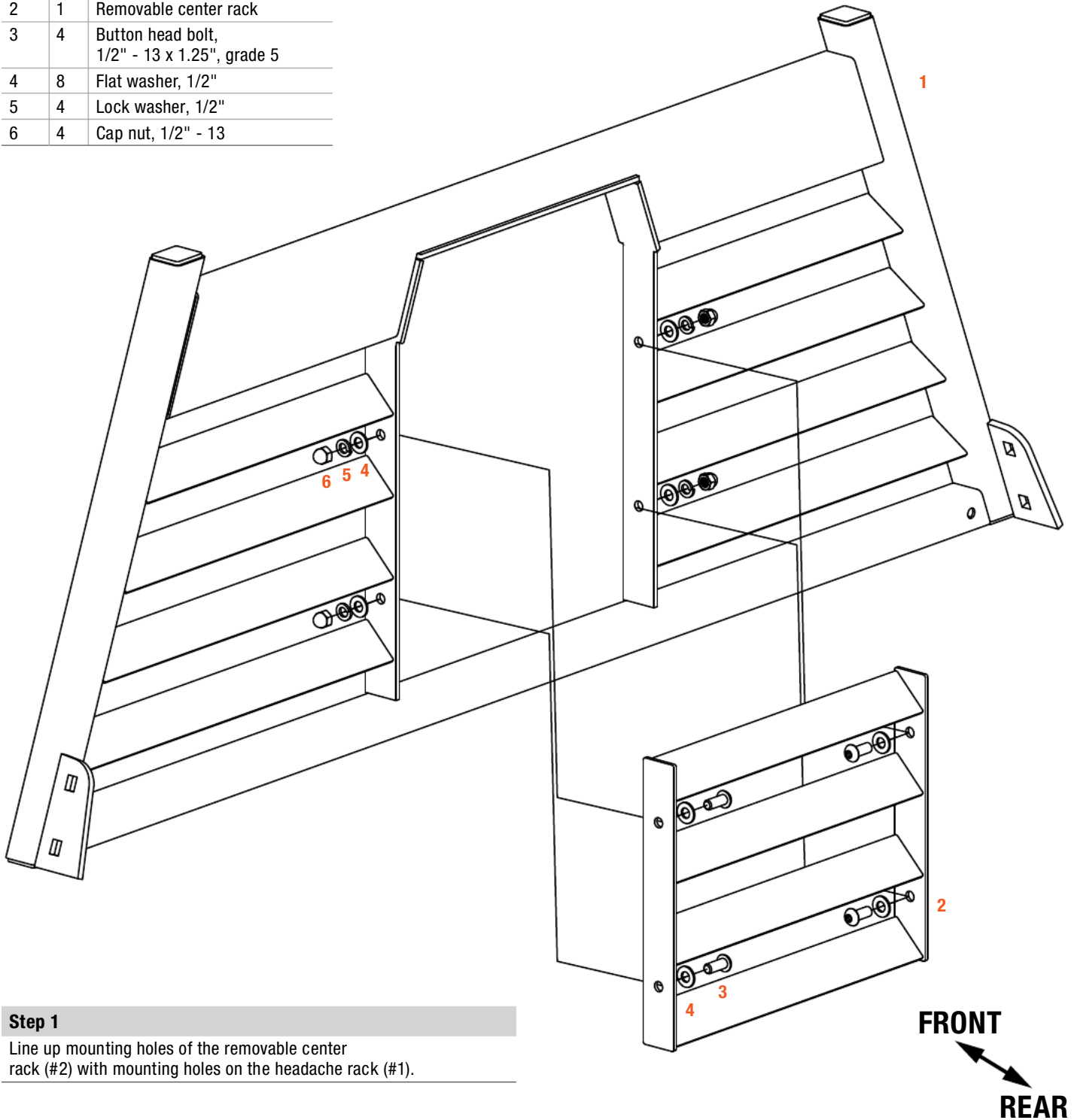
Mild automotive detergent may be used to clean the product. Do not use dish detergent, abrasive cleaners, abrasive pads, wire brushes or other similar products that may damage the finish.

Shock assemblies need to be greased upon install and periodically to ensure smooth and quiet operation.

ASSEMBLY

Parts List

Item	Qty	Description
1	1	Headache rack
2	1	Removable center rack
3	4	Button head bolt, 1/2" - 13 x 1.25", grade 5
4	8	Flat washer, 1/2"
5	4	Lock washer, 1/2"
6	4	Cap nut, 1/2" - 13



Step 1

Line up mounting holes of the removable center rack (#2) with mounting holes on the headache rack (#1).

Step 2

Place a flat washer (#4) on the button head bolt (#3) before installing in each mounting hole.

Secure with a second flat washer (#4), lock washer (#5) and cap nut (#6). Repeat for all four mounting holes.