

# INSTALLATION MANUAL

## HRSBC08H1

### Level of Difficulty

Easy

Installation difficulty levels are based on time and effort involved and may vary depending on the installer level of expertise, condition of the vehicle and proper tools and equipment.

### Parts List

Qty	Description
1	Mounting bracket, driver side
2	Mounting bracket, passenger side
2	Stake pocket bracket
2	Hex bolt, 1/2"-13 x 3-1/4"
2	Button head bolt, 1/2"-13 x 1-1/2"
2	Button head bolt, 1/2"-13 x 3"
4	Carriage bolt, 1/2"-13 x 1-1/4"
10	Flat washer, 1/2"
6	Cap nut, 1/2" - 13
6	Lock washer, 1/2"
2	Nylock nut, 1/2"-13
2	Hex bolt, 3/8"-16 x 1-1/4"
2	Flat washer, 3/8"
2	Lock washer, 3/8"
1	Headache rack*

\*Sold separately

### Tools Required

Ratchet	Torque wrench
Allen wrench, 5/16"	Drill bit, 1/2"
Socket set	Wrench set

### Torque Specifications

3/8" bolt	20 ft-lbs.
1/2" bolt	37 ft-lbs.

Use above torque setting unless otherwise noted

### Product Photo



### NOTICE

Visit [www.ranchhand.com](http://www.ranchhand.com) for a full-color copy of this instruction manual, as well as helpful videos, guides and much more!

Before you begin installation, read all instructions thoroughly.

Proper tools will improve the quality of installation and reduce the time required.

Periodic inspection of your product should be performed to ensure all hardware and / or components remain secure.

To help prevent damage to the product or vehicle, refer to the specified torque specifications when securing hardware during the installation process.

### Maintenance

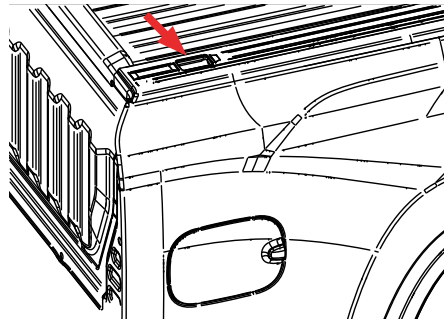
Mild automotive detergent may be used to clean the product. Do not use dish detergent, abrasive cleaners, abrasive pads, wire brushes or other similar products that may damage the finish.

### Product Registration and Warranty

Ranch Hand stands behind our products with industry-leading warranties. To get copies of the product warranties, register your purchase or provide feedback, visit: [www.ranchhand.com](http://www.ranchhand.com)

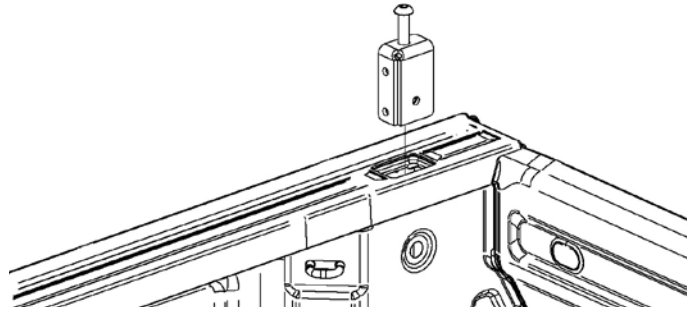
### Step 1

Cut out plastic over the stake pocket opening.



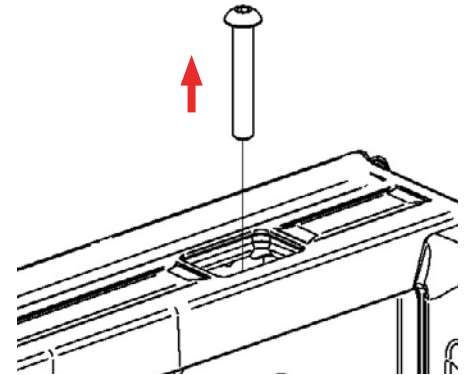
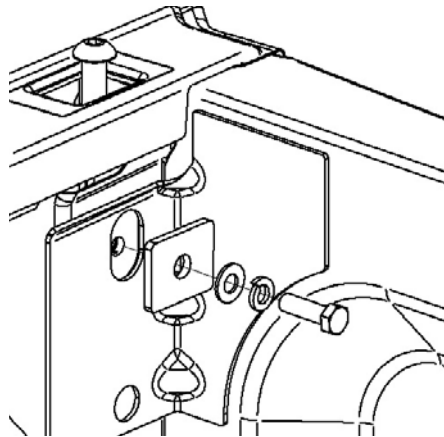
### Step 2

Use a 1/2"-13 x 3" bolt threaded into the top of the stake pocket bracket to lower into place.



### Step 3

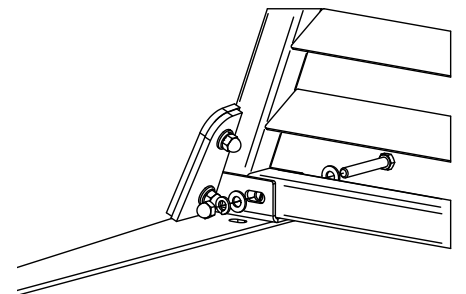
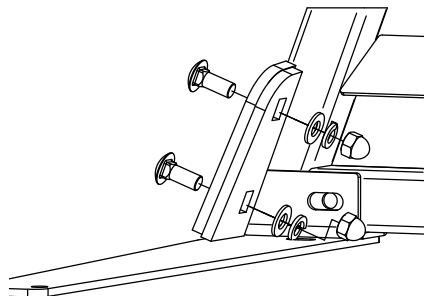
Secure the stake pocket bracket with a 3/8"-16 x 1-1/4" bolt, lock washer and flat washer. Tighten enough to keep the bracket in position. Remove the 3" bolt.



### Step 4

Secure the mounting brackets to the headache rack using two 1/2"-13 x 1-1/4" carriage bolts, flat washers, lock washers and cap nuts per side.

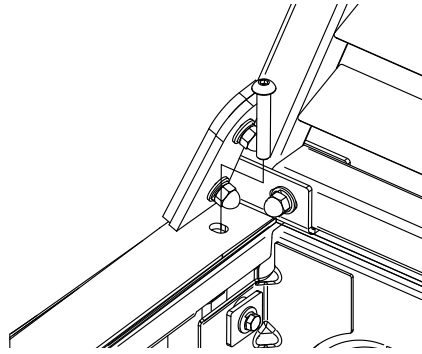
Secure the channel bracket with a 1/2"-13 x 3-1/4" bolt, flat washer, lock washer and cap nut per side.



### Step 5

Place the headache rack in place and line up the stake pocket brackets with the mounting bracket holes. Secure with 1/2"-13 x 3" bolts.

Do not fully tighten the hardware at this time.



### Step 6

Adjust the rack into position on the bedrail to be square on the box. Tighten the 3/8"-16 x 1-1/4" bolts to the torque specifications listed on page 1, then tighten the 1/2"-13 x 3" bolt into the stake pocket bracket. Tighten to around 15 ft-lbs., being careful not to overtighten and crack the bedrail cap plastic.

### Step 7

Using the bracket hole as a guide, drill a 1/2" hole through the bed rail. Secure with 1/2"-13 x 1-1/2" bolt, washer and nylock nut. Tighten to around 15 ft-lbs., being careful not to overtighten and crack the bedrail cap plastic.

