

INSTALLATION MANUAL

HRSBF97H

Level of Difficulty

Easy

Installation difficulty levels are based on time and effort involved and may vary depending on the installer level of expertise, condition of the vehicle and proper tools and equipment.

Parts List

Qty	Description
1	Mounting bracket, driver side
1	Mounting bracket, passenger side
1	Stake pocket bracket, driver side
1	Stake pocket bracket, passenger side
2	Stake pocket outer plate
2	Hex head bolt, 1/2" - 13 x 3-1/4"
2	Button head bolt, 1/2" - 13 x 2"
2	Button head bolt, 1/2" - 13 x 1-1/2"
4	Carriage bolt, 1/2" - 13 x 1-1/4"
8	Flat washer, 1/2"
6	Cap nut, 1/2" - 13
6	Lock washer, 1/2"
2	Nylock nut, 1/2" - 13
2	Hex head bolt, 3/8 - 16 x 1-1/4"
2	Flat washer, 3/8"
2	Lock washer, 3/8"
1	Headache rack*

*Sold separately

Tools Required

Ratchet	Torque wrench
Allen wrench, 5/16"	Drill bit, 1/2"
Socket set	Center punch (optional)

Torque Specifications

3/8" bolt	20 ft-lbs.
1/2" bolt	37 ft-lbs.

Use above torque setting unless otherwise noted

Product Photo



NOTICE

Visit www.ranchhand.com for a full-color copy of this instruction manual, as well as helpful videos, guides and much more!

Before you begin installation, read all instructions thoroughly.

Proper tools will improve the quality of installation and reduce the time required.

Periodic inspection of your product should be performed to ensure all hardware and / or components remain secure.

To help prevent damage to the product or vehicle, refer to the specified torque specifications when securing hardware during the installation process.

Maintenance

Mild automotive detergent may be used to clean the product. Do not use dish detergent, abrasive cleaners, abrasive pads, wire brushes or other similar products that may damage the finish.

Product Registration and Warranty

Ranch Hand stands behind our products with industry-leading warranties. To get copies of the product warranties, register your purchase or provide feedback, visit: www.ranchhand.com

Step 1

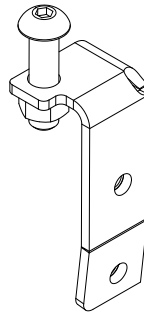
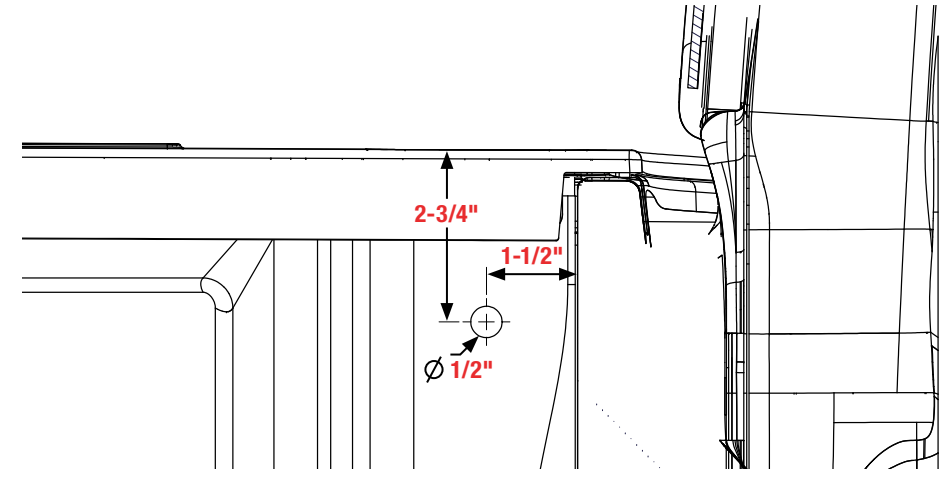
Remove plastic over the stake pocket opening.

5-1/2' bed plastic needs to be cut out over stake pocket.

Step 2

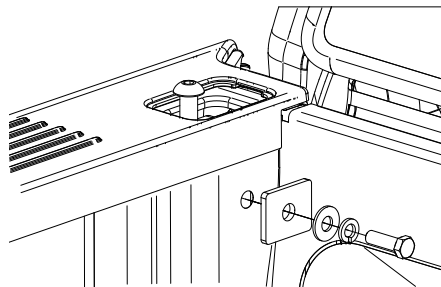
For 5-1/2' beds, the stake pocket does not have a factory drilled hole. Measure down from the top of the bed rail plastic 2-3/4" and 1-1/2" back from the front bed wall to mark the hole center. Use a center punch and then drill a 1/2" hole.

Use a 1/2-13 x 2" bolt threaded into the top of the stake pocket bracket to lower into place. Note the extended tab on the top of the bracket. The top stake pocket bracket tab must be to the back of the box when mounted.



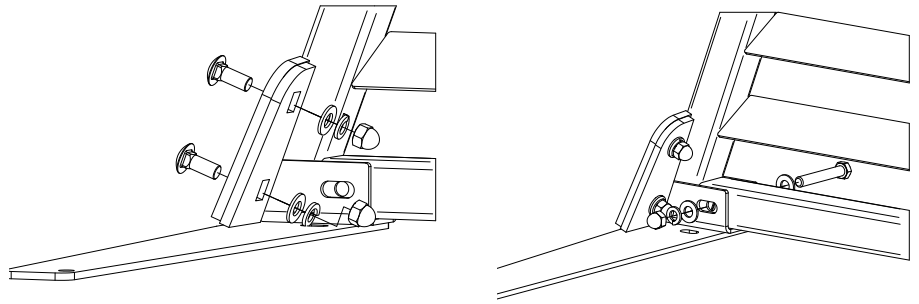
Step 3

Secure the stake pocket bracket with a 3/8"-16 x 1-1/4" bolt, lock washer, washer and stake pocket outer plate. 5-1/2' bed uses upper hole, the rest will use the lower hole. Tighten enough to keep bracket in position. Remove the 2" bolt.



Step 4

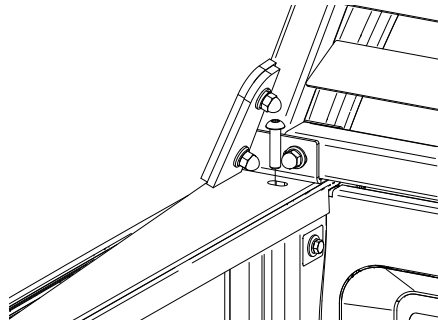
Secure the mounting brackets to the headache rack by securing with two 1/2"-13 x 1-1/4" carriage bolts, washers, lock washers and cap nut per side. Secure in channel bracket with 1/2"-13 x 3-1/4" bolt, washers, lock washer and cap nut per side. 1/2"-13 x 3-1/4" bolt head must be on the cab side of the rack for vehicle clearance.



Step 5

Place the rack and bracket assembly on the bedrail and line up the stake pocket mounting holes with mounting bracket slots. Secure with 1/2"-13 x 2" bolt.

Hand tighten the hardware at this time.



Step 6

Adjust the rack position on the bedrail to be square on the box. Tighten 3/8"-16 x 1-1/4" bolt on the stake pocket brackets to 20 ft-lbs. followed by the 1/2"-13 x 2" top stake pocket bracket bolt. Tighten to around 15 ft-lbs., being careful not to overtighten and crack the bedrail cap plastic.

Step 7

Using the bracket hole as a guide, drill a 1/2" hole through the bed rail. Secure with 1/2"-13 x 1-1/2" bolt and nylock nut. Tighten to around 15 ft-lbs., being careful not to overtighten and crack the bedrail cap plastic.

