



**DESTROYER SERIES**

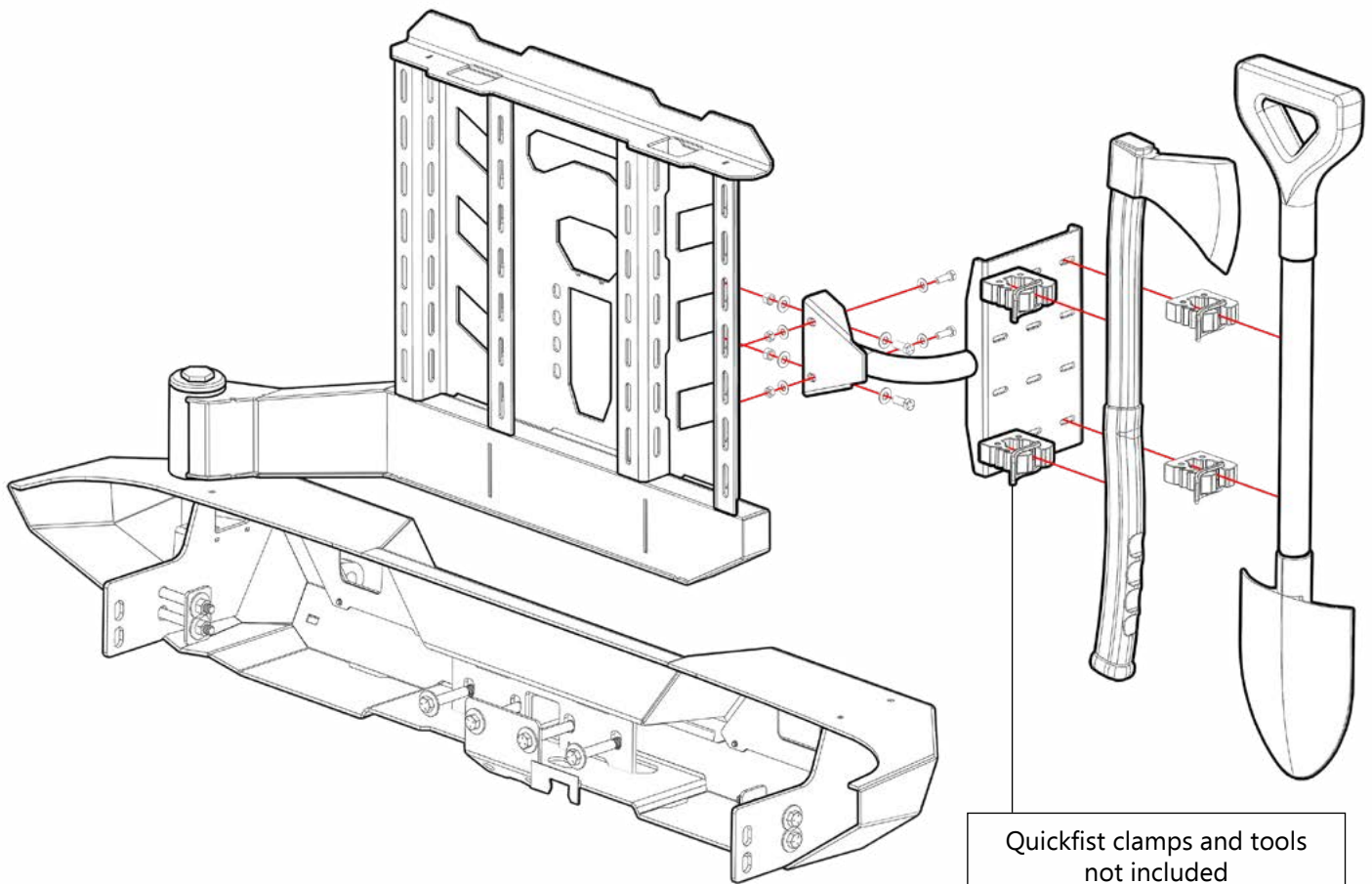
**JK**

**JL**

UNIVERSAL  
MULTI-TOOL  
MOUNT

**\*PLEASE READ THROUGH THE INSTRUCTIONS BEFORE BEGINNING ANY PART OF THE INSTALLATION PROCESS\***

\*Assemble as shown using the provided hardware\*



Quickfast clamps and tools not included

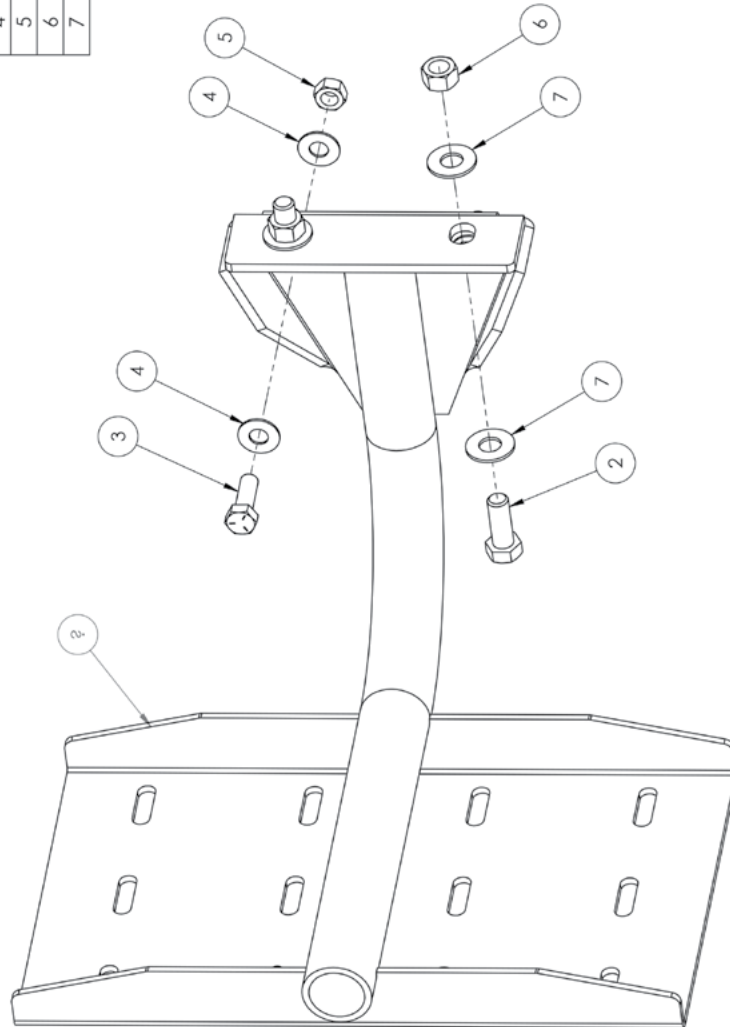
ITEM NO.	PART NUMBER	FINISH	DESCRIPTION	QTY.
1	4JAM0700-01	BS/BP	MULTIMOUNT UNIVERSAL WELDMENT	1

**HARDWARE KIT**

ITEM NO.	PART NUMBER	FINISH	DESCRIPTION	QTY.
2	HB381616ZPGR5		HEX BOLT 3/8-16 X 1.00 ZINC PLATE GR5	2
3	HB311816ZPGR5		HEX BOLT 5/16-18 X 1.00 ZINC PLATE GR5	2
4	FW3112ZP		FLAT WASHER Ø5/16" X .75" ZINC PLATE	4
5	HN3118ZPGR5		HEX NUT 5/16-18 ZINC PLATE GR5	2
6	HN3816ZPGR5		HEX NUT 3/8-16 ZINC PLATE GR5	2
7	FW3814ZP		FLAT WASHER Ø3/8" X .875 ZINC PLATE	4

**NOTES:**

1. JAM0700 = BARE STEEL OPTION
  2. JAM0701 = BLACK POWDER COAT OPTION
- DESTROYER MULTIMOUNT UNIVERSAL  
JAM0700**





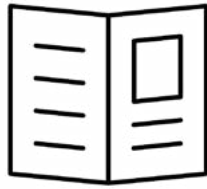
JK/JL Jeep  
**DESTROYER SERIES**  
Universal Multi-Mount  
SHIPPING SHEET

Packaged by:

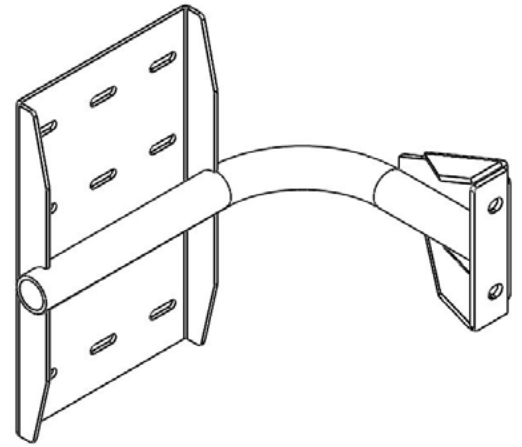
\_\_\_\_\_

On:

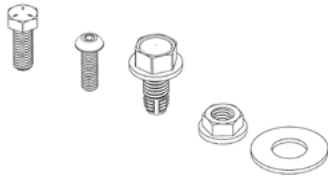
\_\_\_\_\_



Instruction  
Booklet



Multi-Mount  
Universal Weldment  
**(x1)**



BOLT KIT  
(may vary)





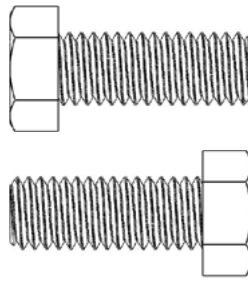
**JK/JL Jeep**  
**DESTROYER SERIES**  
Universal Multi-Mount

Bolt Kit  
Packaged by:

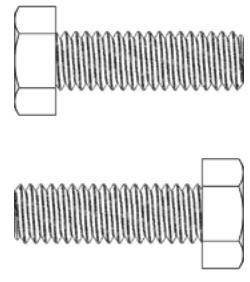
\_\_\_\_\_

On:

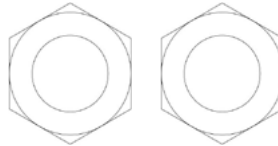
\_\_\_\_\_



Hex Bolt  
3/8\"-16 x 1\"  
**(x2)**



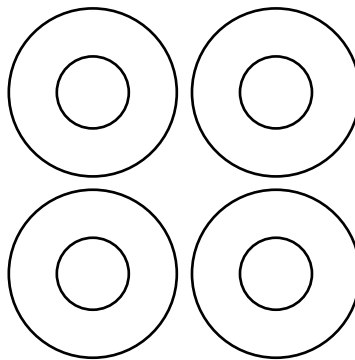
Hex Bolt  
5/16\"-18 x 1\"  
**(x2)**



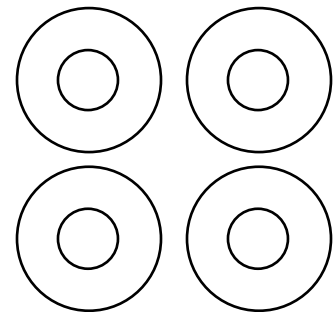
Hex Nut  
3/8\"-16  
**(x2)**



Hex Nut  
5/16\"-18  
**(x2)**



Flat Washer  
3/8\" x 0.875\"  
**(x4)**



Flat Washer  
5/16\" x 0.75\"  
**(x4)**

