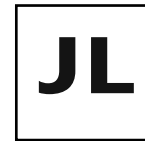




# SIGNATURE FRONT BUMPER INSTALL

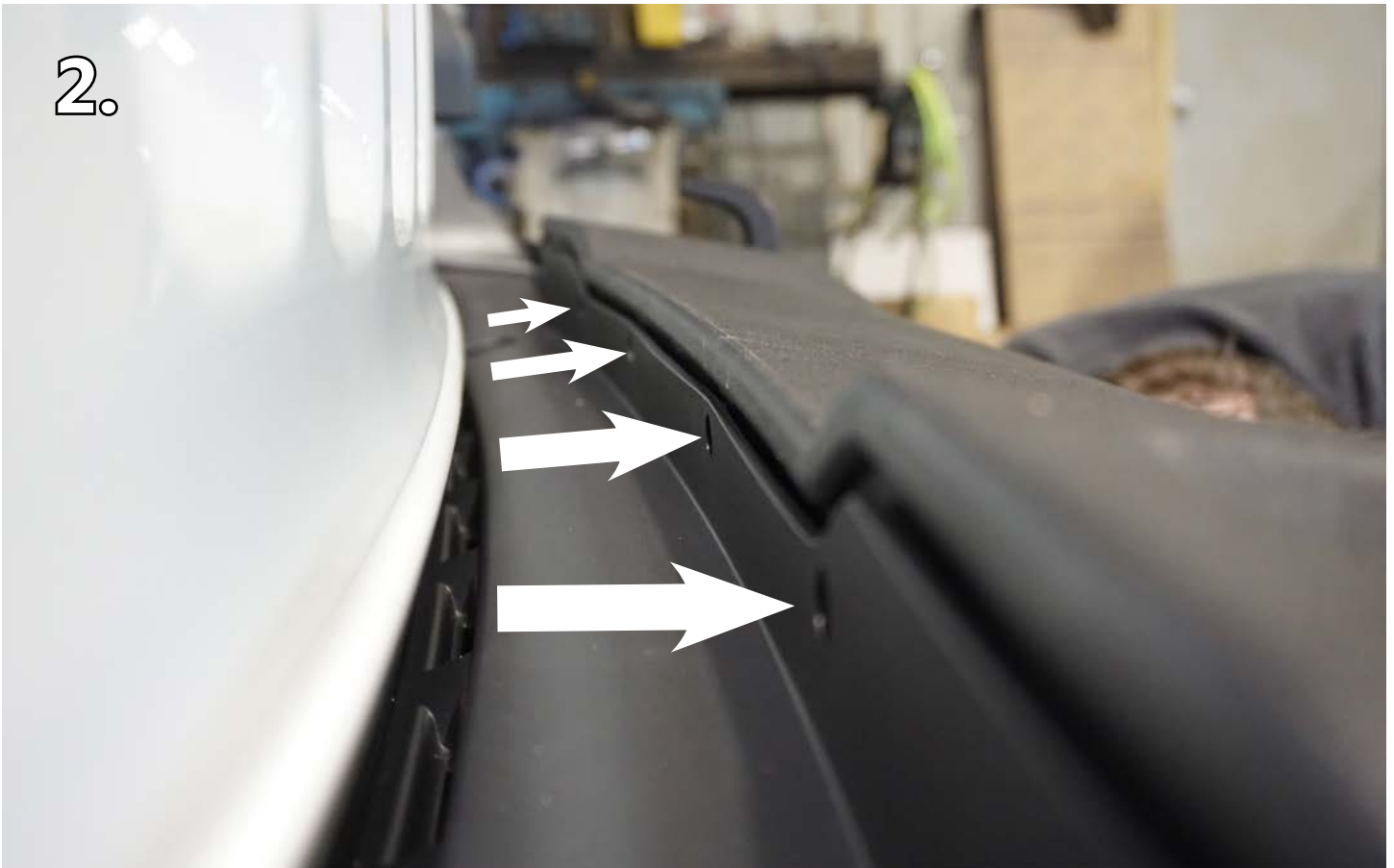


**\*\*PLEASE READ THROUGH THE INSTRUCTIONS BEFORE  
BEGINNING ANY PART OF THE INSTALLATION PROCESS\*\***



You can now remove the trim strip (2 vertical clips, 4 horizontal, 2 screws) to access the bumper mount bolts.

2.



You can now remove the trim strip (2 vertical clips, 4 horizontal, 2 screws) to access the bumper mount bolts.

3.



There will be 2 screws holding the trim strip to the vehicle body, one on each side. These can be accessed by reaching through the wheel well.

4.



You can now remove the trim strip (2 vertical clips, 4 horizontal, 2 screws) to access the bumper mount bolts.

5.



Also remove the factory skid plate. Start with the two 6mm screws on the bottom (one on either side)

6.

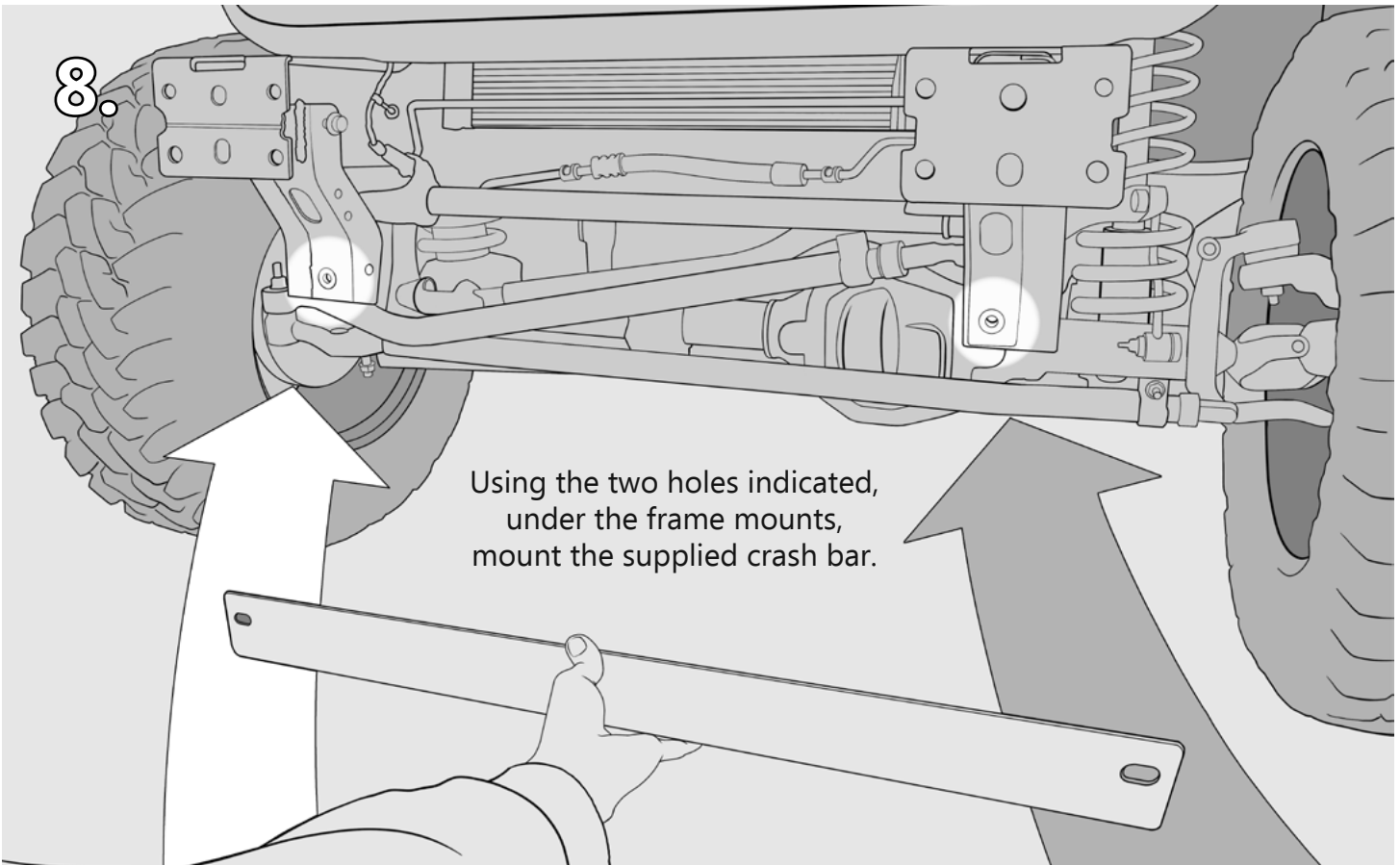


The skidplate is held to the vehicle with eight (8) clips in the front, and the two bolts you just removed, on the bottom.





Also remove the crash bar, there are two bolts holding it on.  
After the bolts are removed, you will shift the crash bar slightly up, then pull towards you to remove the tabs out of the opening.



9.



It should look like this when complete.

10.



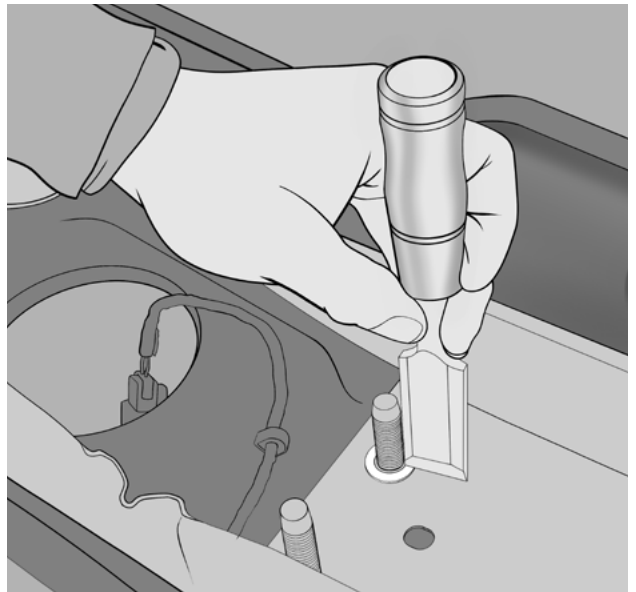
Undo the harness plug that connects the foglights to the vehicle.

11.



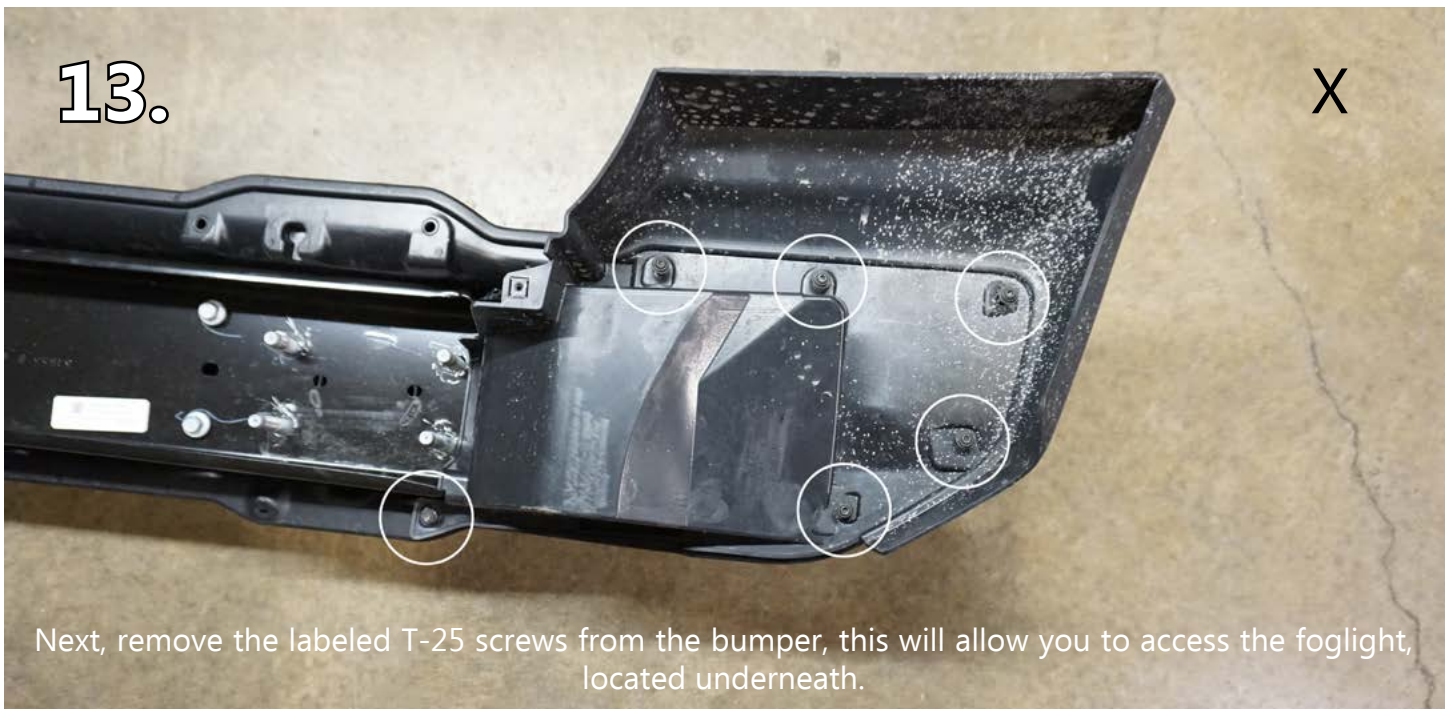
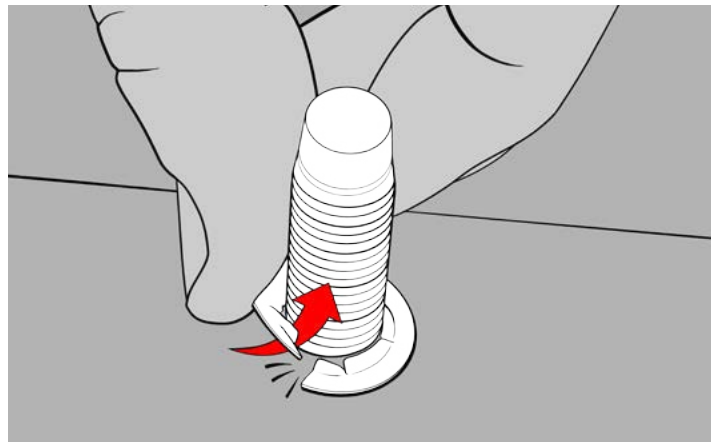
The bumper is secured to the vehicle with four (4) bolts on both sides. Remove these and the bumper should come off of the vehicle.





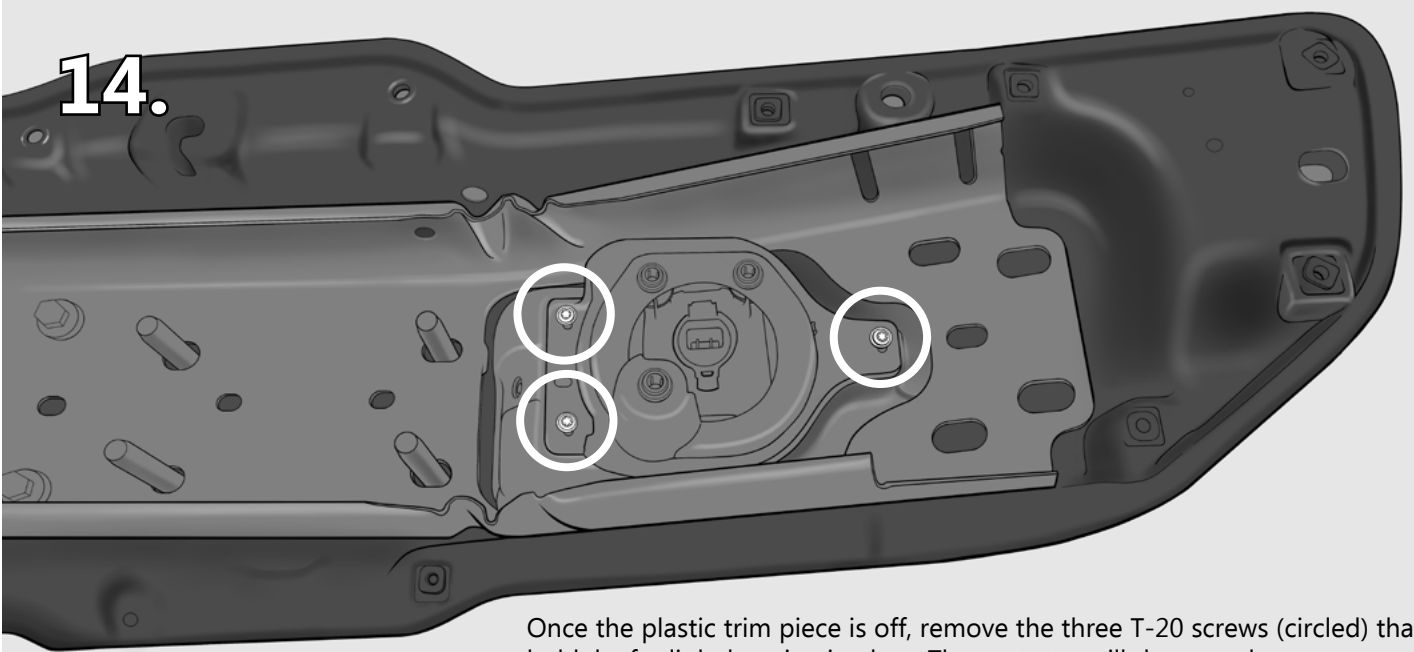
The bolts that hold the bumper together are held in place using locking tooth washers, you can either pry them up with a screwdriver, or cut them off using a sharp chisel or similar tool.

We placed the chisel perpendicular to the surface and gave it one nice hard hit. After this, you should be able to grab the edge with a pair of pliers.



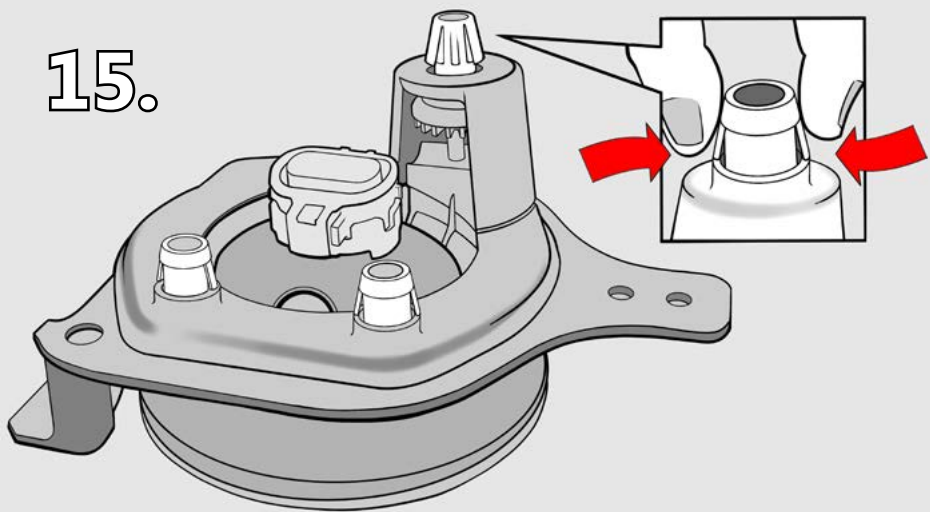
Next, remove the labeled T-25 screws from the bumper, this will allow you to access the foglight, located underneath.

14.



Once the plastic trim piece is off, remove the three T-20 screws (circled) that hold the foglight housing in place. The next step will show you how to remove the light from the housing.

15.



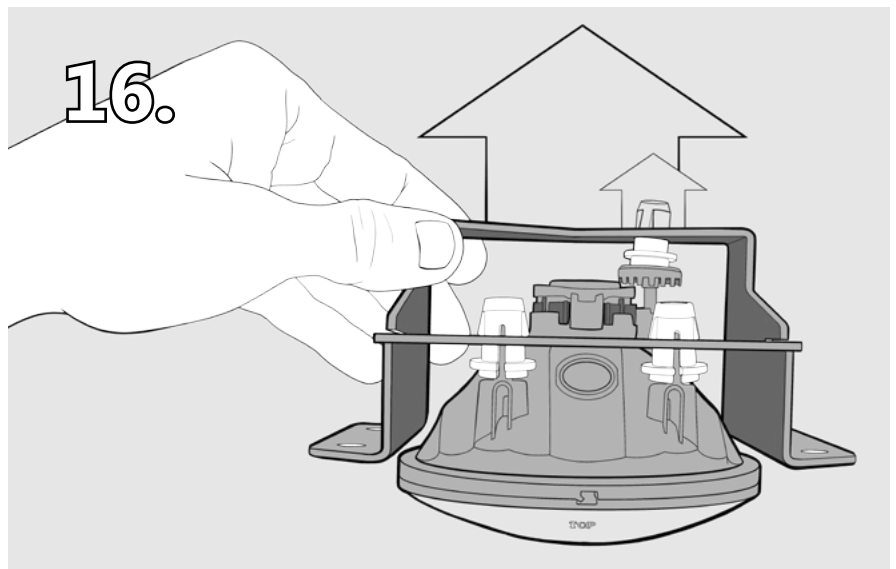
Next you will remove the factory foglight from the stock housing.

Do this by pressing together the sides of the mounting snap pins.

16.

Next, push the light into the new housing, with the long adjustment screw inserting into the farther panel.

The pins should slide into the openings fairly easily.



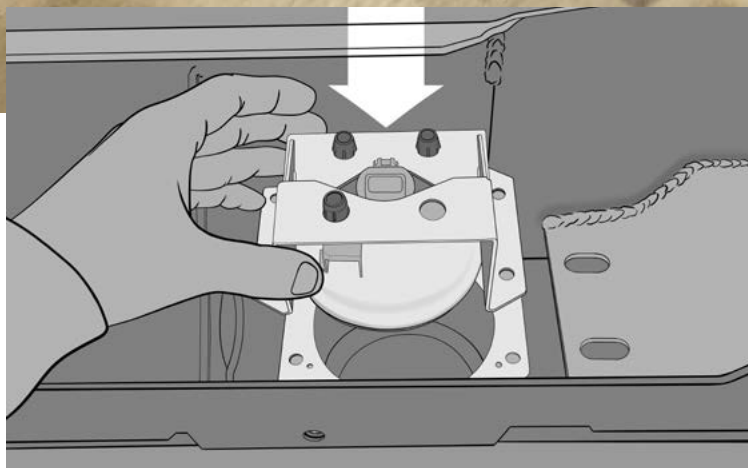
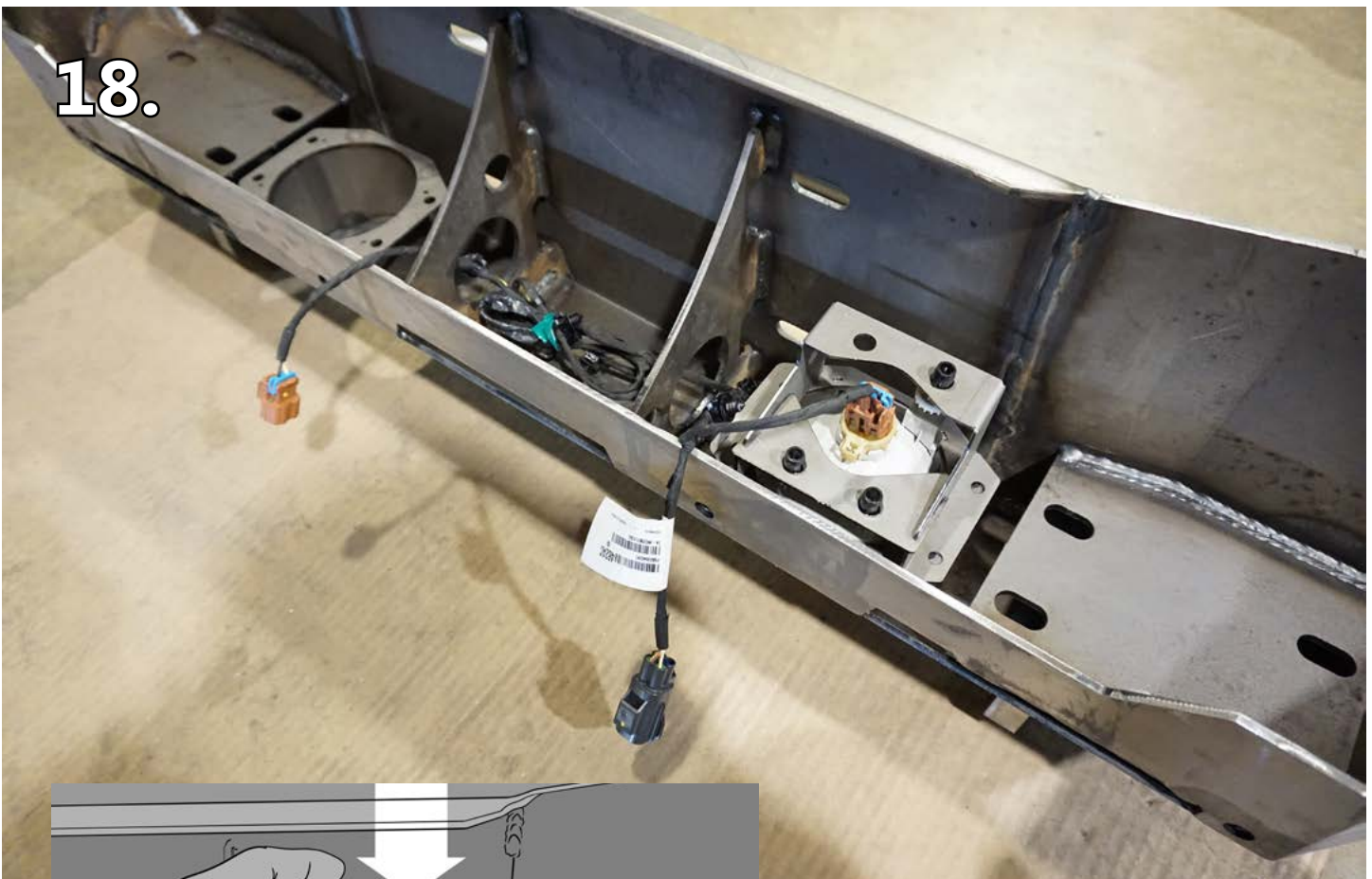


17.

Remove the plastic clips holding the wire harness in place

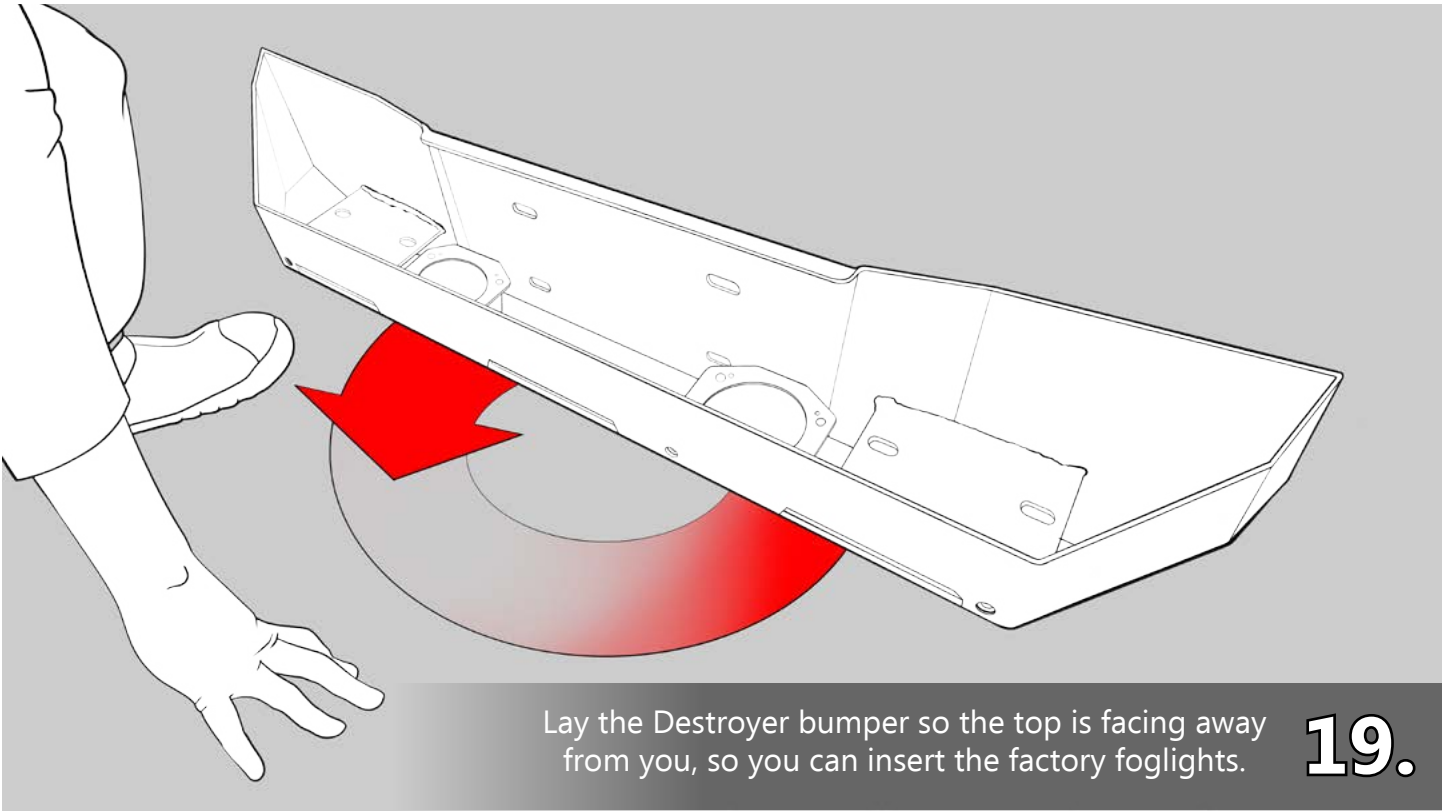


18.



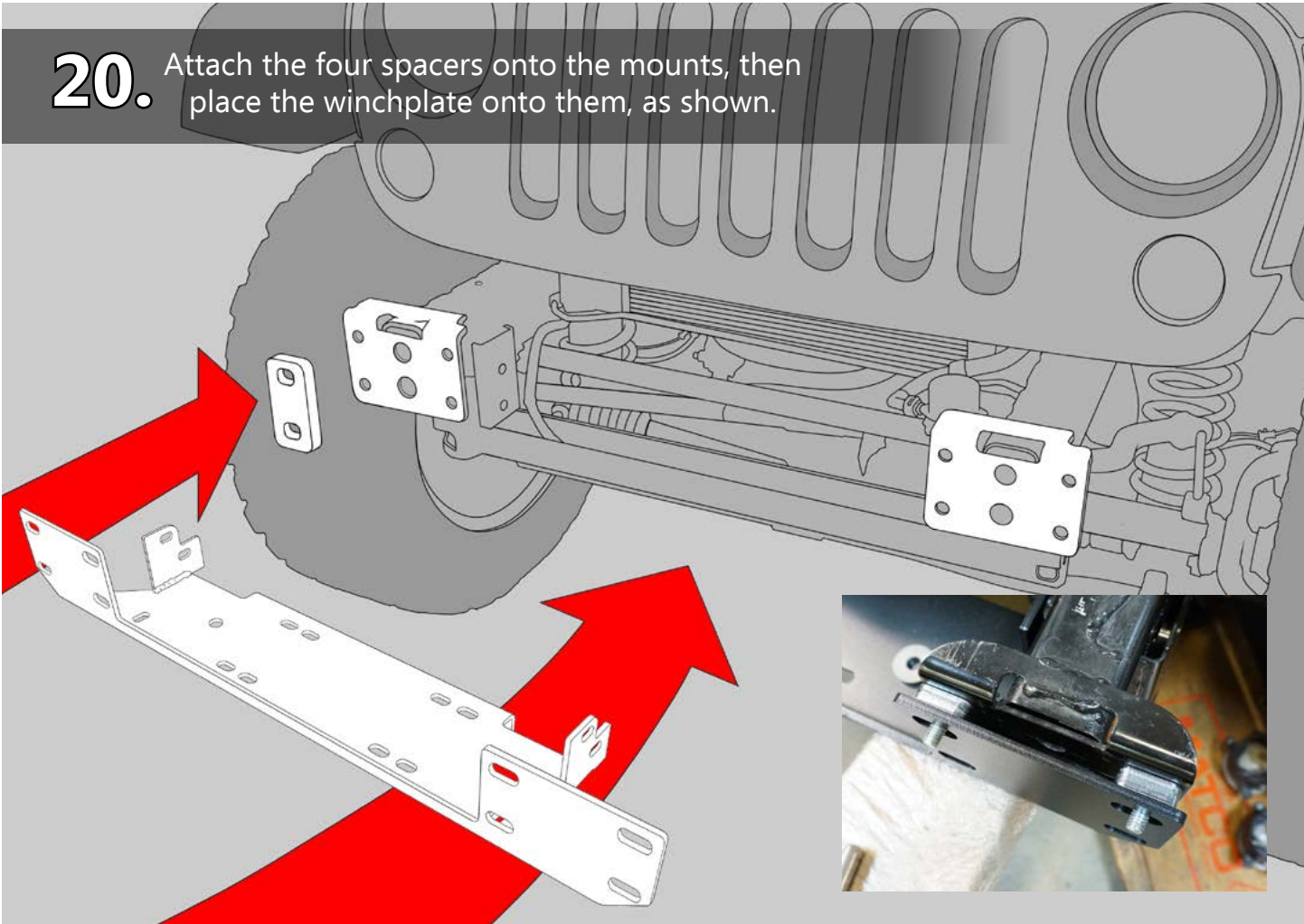
Lay the Destroyer bumper so the top is facing away from you, so you can insert the factory foglights, which should now be in the provided housing.





Lay the Destroyer bumper so the top is facing away from you, so you can insert the factory foglights.

**19.**



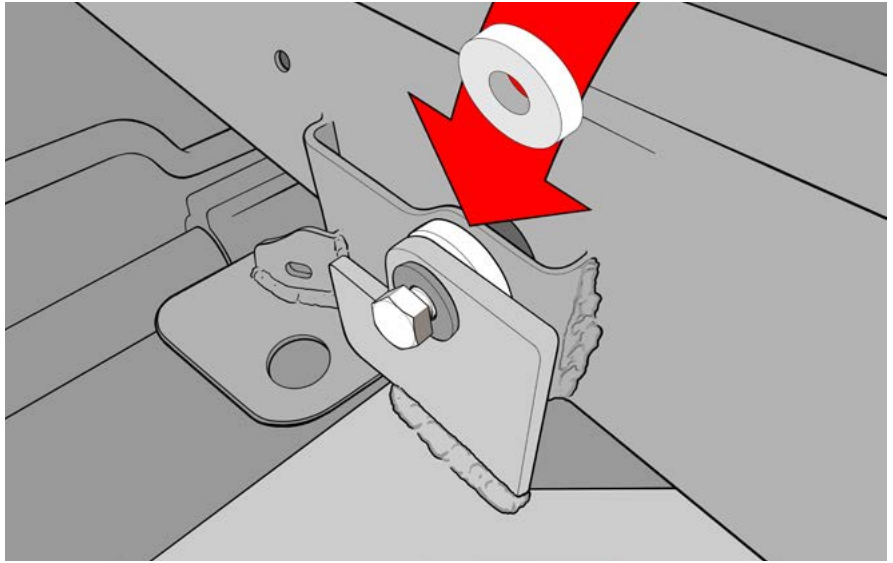
**20.** Attach the four spacers onto the mounts, then place the winchplate onto them, as shown.



## 21.

---

TO SECURE IT IN PLACE, USE THE SUPPLIED WASHER AND BOLT TO ATTACH THE SIDE FLAPS TO THE FRAME.



## 22.

---

USING A 3/4" SOCKET, TIGHTEN UP THE LOD SIGNATURE SERIES WINCH PLATE FRAME RAIL MOUNTS AS SHOWN IN THIS PICTURE.



## 23.

---

SLIDE ONE OF THE STEEL SPACERS IN BETWEEN THE WINCH PLATE AND FRAME RAIL MOUNT ON YOUR JK. THEN, INSERT THE LONG BOLTS AND WASHERS PROVIDED THROUGH THE MOUNTING HOLES AND SPACERS AS SHOWN IN THIS PICTURE.





## 24.

---

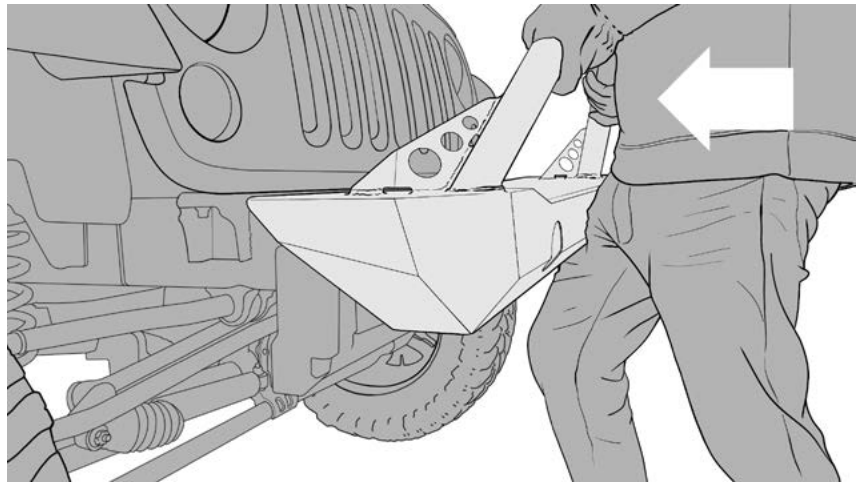
REPEAT STEP #13 UNTIL ALL THE STEEL SPACERS (4) ARE INSTALLED IN BETWEEN THE LOD SIGNATURE SERIES WINCH PLATE AND FRAME RAIL BUMPER MOUNT AND THAT ALL OF THE BOLTS ARE STICKING THROUGH THEM AS SHOWN IN THE PICTURE.



## 25.

---

GENTLY SLIDE THE BUMPER OVER THE FRAME MOUNTS AND SLOWLY MOVE IT FORWARD, LETTING IT REST ON TOP OF THE FRAME.



## 26.

---

CAREFULLY SLIDE THE MOUNTING BOLTS THROUGH THE HOLES. REACHING FROM THE BACK, LOOSELY SECURE IT IN PLACE USING THE NUTS PROVIDED.



## 27.

---

USING A 3/4" SOCKET AND WRENCH, TIGHTEN UP THE (4) MOUNTING BOLTS AND NUTS ON THE INSIDE OF YOUR JEEP JK'S FRAME RAILS AS SHOWN IN THIS PICTURE.



## 28.

---

TIGHTEN UP THE (4) MOUNTING BOLTS AND NUTS LOCATED ON THE OUTSIDE OF YOUR JEEP'S FRAME RAILS USING A 3/4" SOCKET AND WRENCH.



## 29.

---

HOLD UP THE LOD SIGNATURE SERIES SKID PLATE TO THE BOTTOM OF THE BUMPER AND SECURE IT IN PLACE USING THE BOLTS AND WASHERS PROVIDED. YOU WILL NEED A 9/16" SOCKET FOR THE JOB.





# 30.

---

SECURE THE SKIDPLATE TO THE LOWER CROSS MEMBER OF YOUR JK JEEP USING THE BOLTS AND WASHERS PROVIDED. YOU WILL NEED A 9/16" SOCKET FOR THIS JOB.

**\*\*THE PASSENGER SIDE LOWER HOLE MAY NEED TO BE MARKED ON THE CROSS MEMBER AND THEN DRILLED OUT WITH AT LEAST A 1/2" DRILL BIT\*\***



# 31.

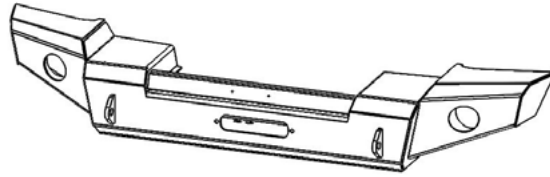
---

THIS COMPLETES THE INSTALLATION OF THE LOD SIGNATURE SERIES SHORTY FRONT BUMPER.

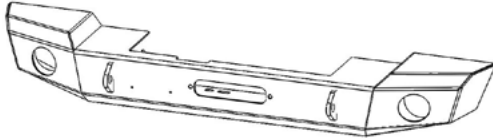




JLU Wrangler  
Signature Series  
Front Bumper  
Shipping Slip



FULLWIDTH

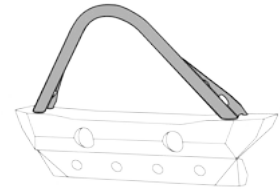


MIDWIDTH

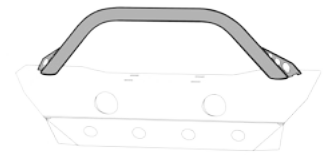


SHORTY

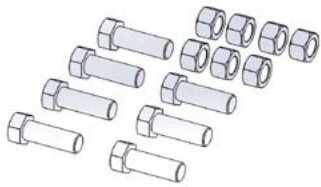
BUMPER  
SIZE



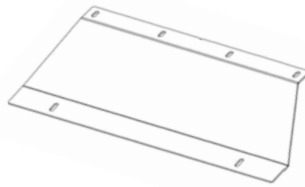
ADD STINGER  
\*only available on shorty\*



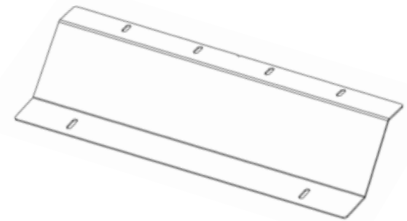
ADD BULLBAR



Hardware Kit  
(Contents may vary)



Skidplate Small



Skidplate Large



ITEM NO.	PART NUMBER	DESCRIPTION	STANDARD WITH BULL BAR/QTY.
1	4JFB0750-02BS	SIGNATURE FULL WIDTH FRONT BUMPER WELDMENT - STANDARD W/BULL GUARD - BARE STEEL OPTION	1
	4JFB0750-02BP	SIGNATURE FULL WIDTH FRONT BUMPER WELDMENT - STANDARD W/BULL GUARD - BLACK POWDER COAT OPTION	
2	4JWP0700BS	WINCH PLATE BARE STEEL OPTION	1
	4JWP0700BP	WINCH PLATE BLACK POWDER COAT OPTION	
3	4JWP0700-02	WINCH PLATE SPACER WELDMENT	4
4	4JLB1800-01	JEEP JL FOG LIGHT BEZEL - ZINC PLATE OPTION	2
5	LOD Logo	Logo	1

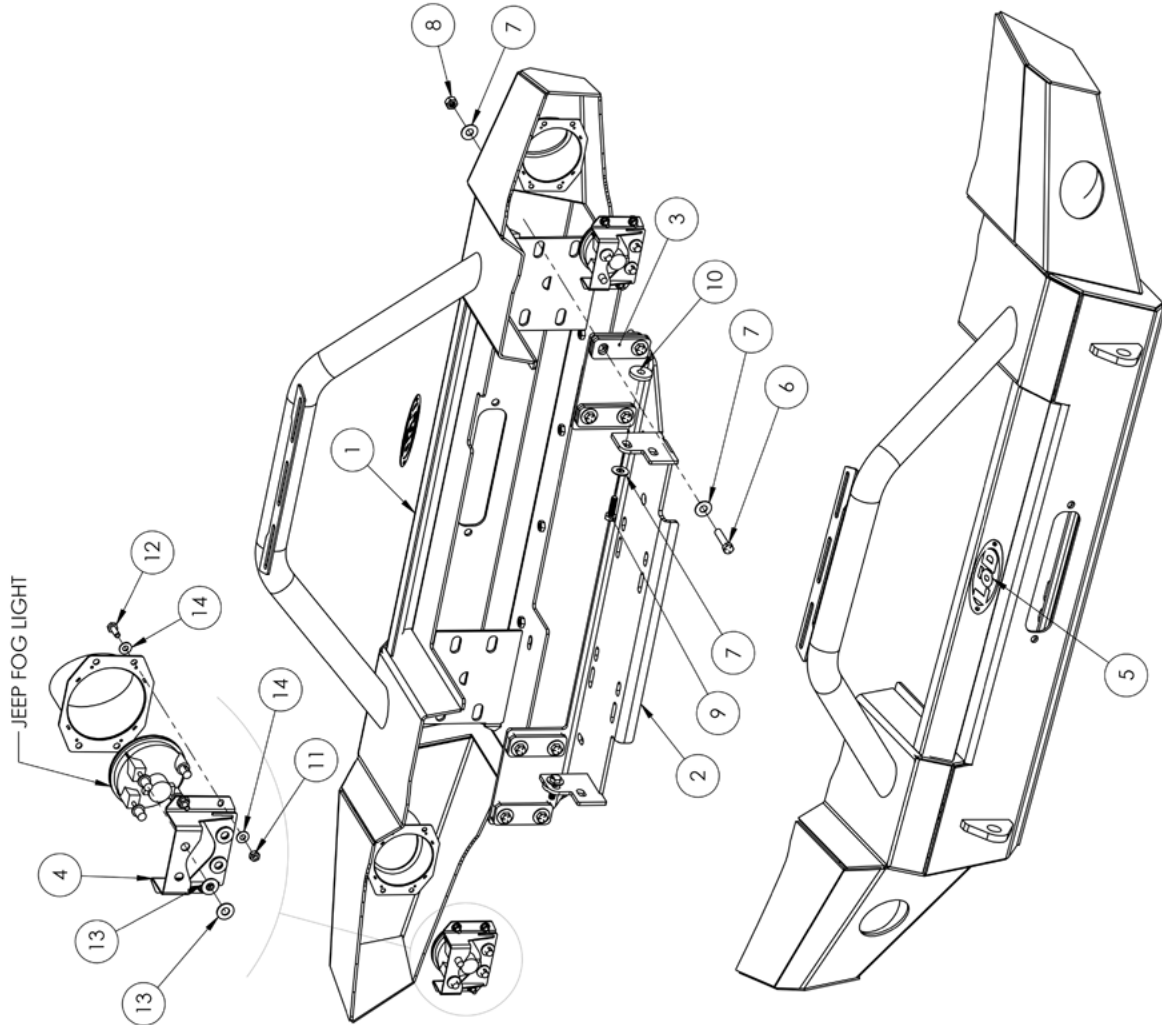
**HARDWARE**

ITEM NO.	PART NUMBER	DESCRIPTION	STANDARD WITH BULL BAR/QTY.
6	HB431432ZPGR5	HEX BOLT 7/16-14 X 2.00 HEX BOLT ZINC PLATE GR5	8
7	FW4318ZP	FLAT WASHER Ø7/16 X 1.25" ZINC PLATED	18
8	HN4314ZPGR5	HEX NUT 7/16-14 ZINC PLATE GR5	8
9	HB10150M35ZPC188	HEX BOLT M10-1.50 X 35mm ZINC PLATE CL8.8	2
10	2JWP1800-01	SPACER WASHER	2
11	HN2520ZPGR5	HEX NUT 1/4-20 ZINC PLATED GR5	8
12	HB252012ZPGR5	HEX BOLT 1/4-20 X .75 HEX BOLT ZINC PLATE GR5	8
13	FW3814ZP	FLAT WASHER Ø3/8" X .875 ZINC PLATE	12
14	FW2510ZP	FLAT WASHER Ø1/4" X .625 ZINC PLATE	16

**NOTES:**

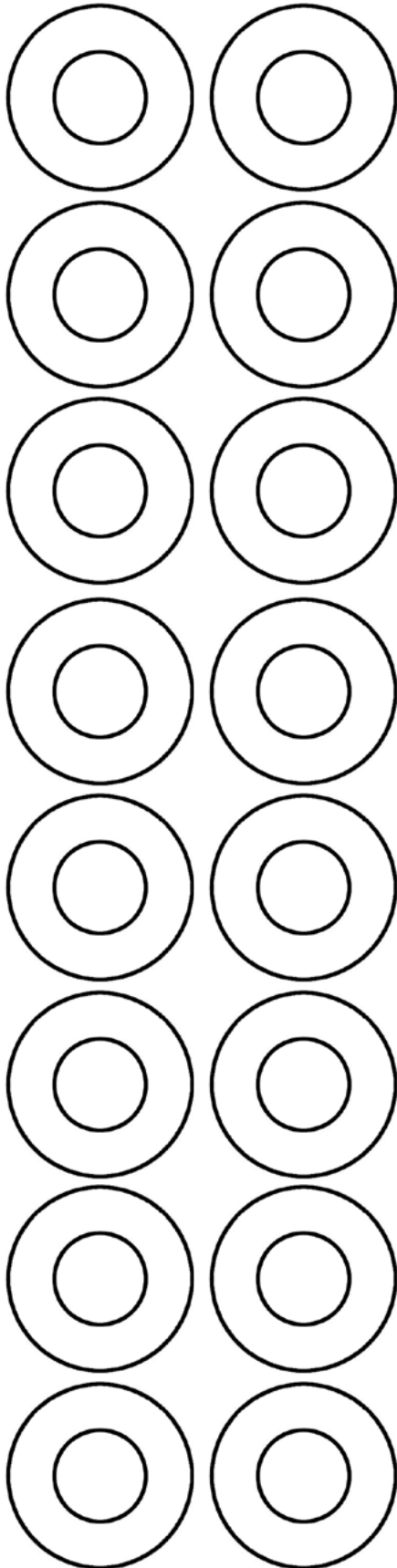
1. JFB1852 = BARE STEEL OPTION
  2. JFB1853 = BLACK POWDER COAT OPTION
- SIGNATURE FULL WIDTH FRONT BUMPER W/BULL BAR

**JFB18-SEE NOTES**

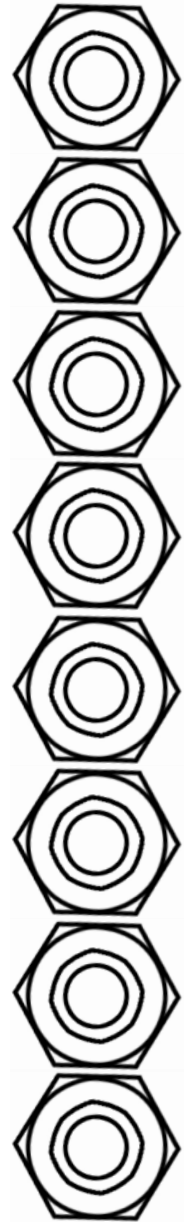


# Signature Front Bumper Shipping Slip

\*please check contents when  
opening/assembling package

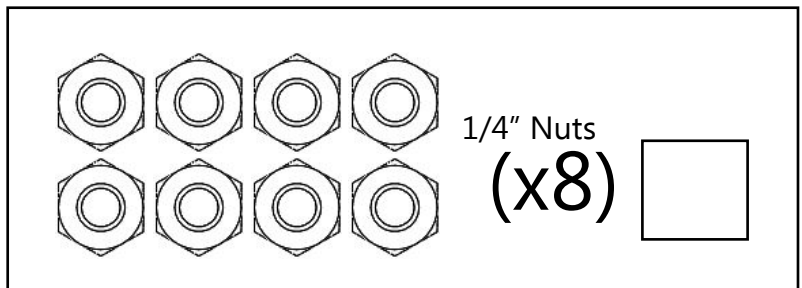


7/16 Washers  
**(x18)**

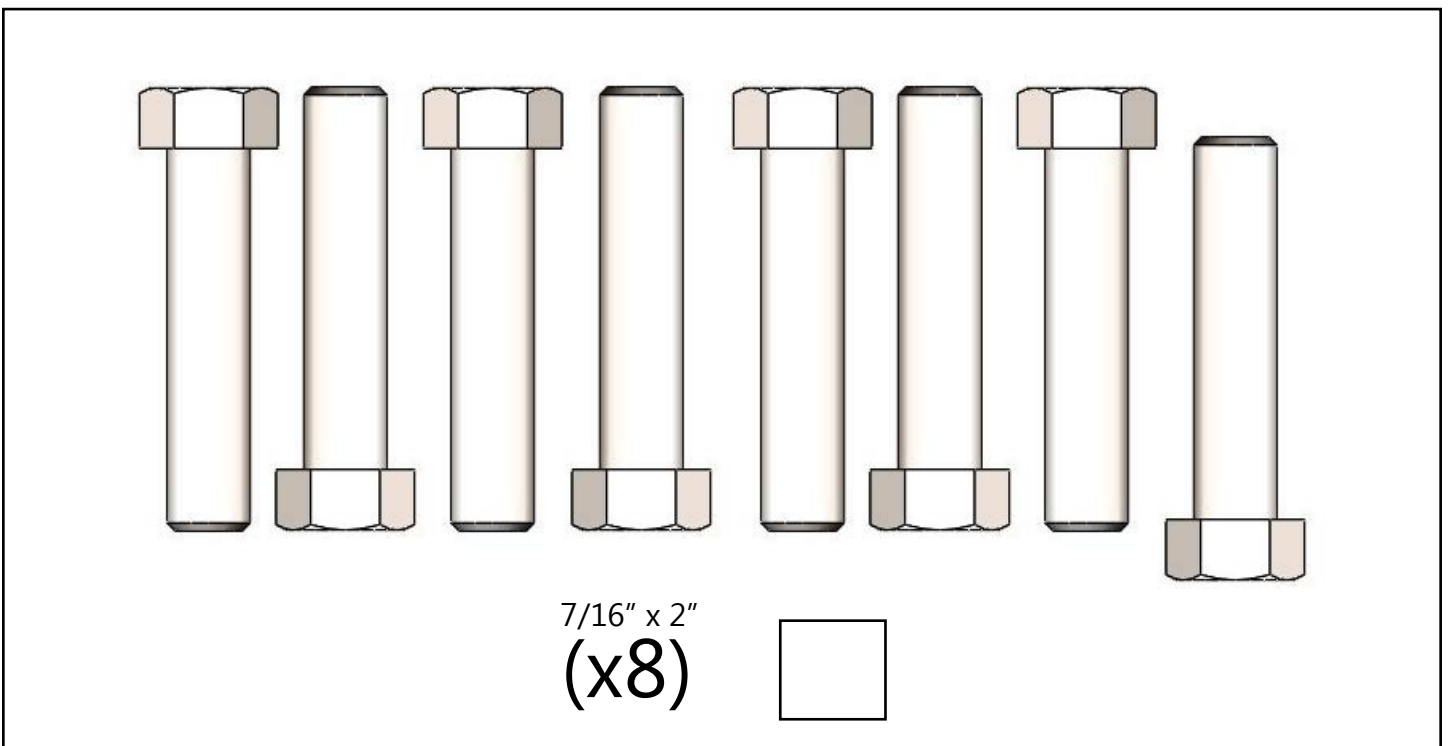
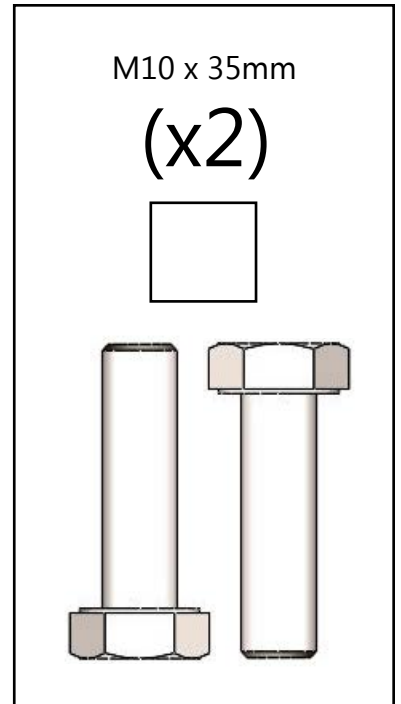
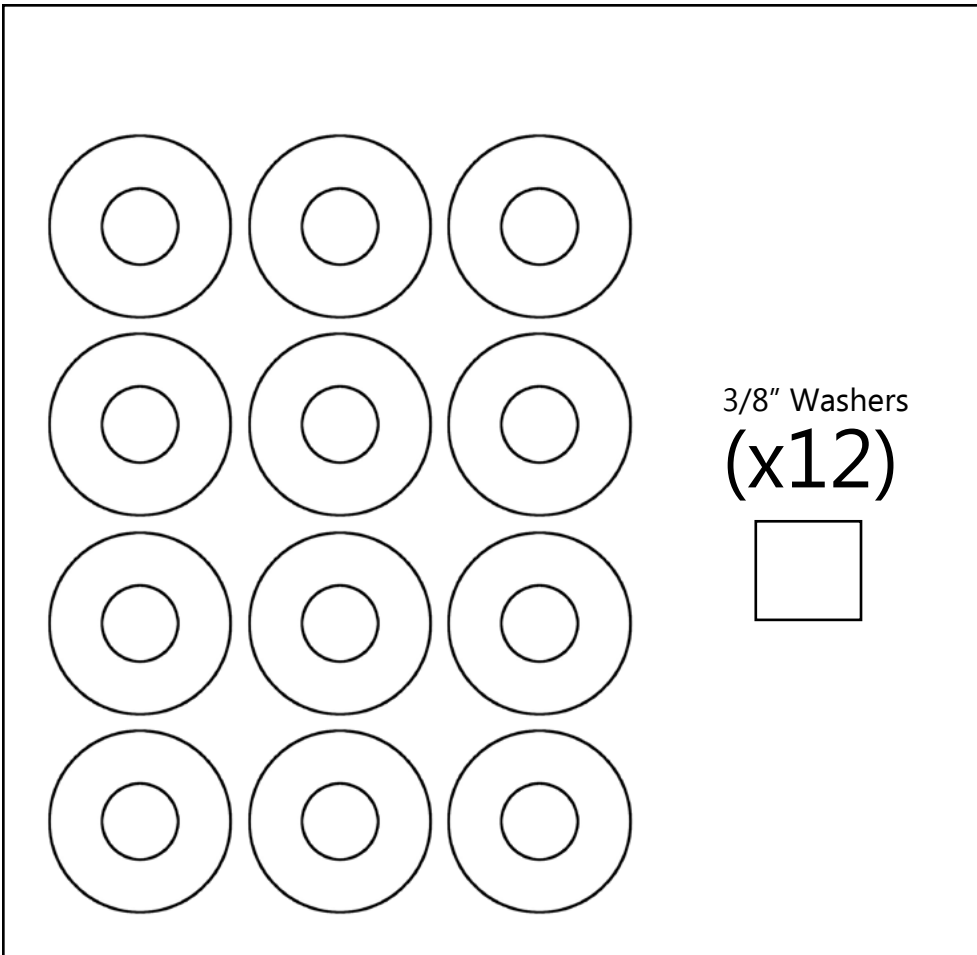


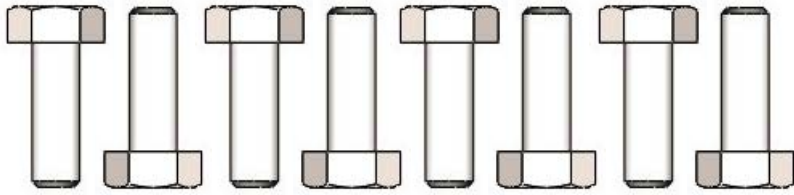
7/16" Nuts

**(x8)**

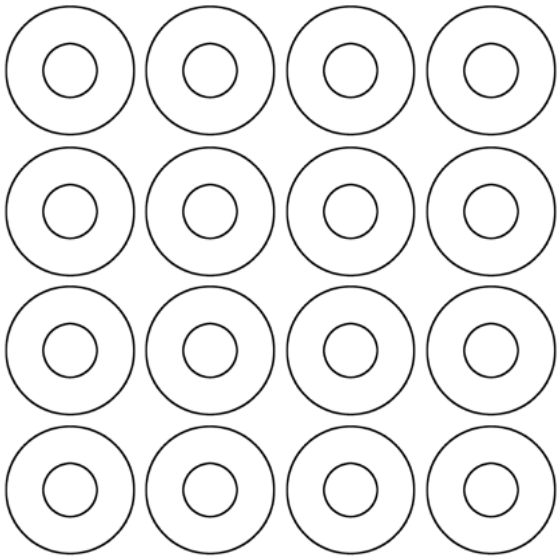




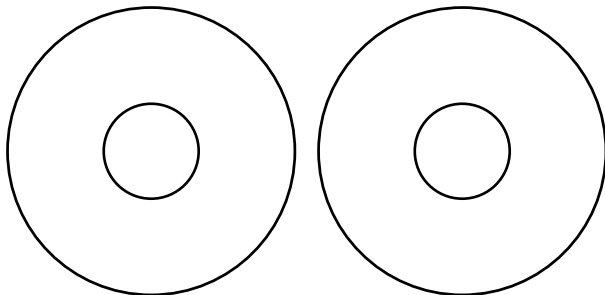




1/4" x 0.75" Hex Bolts  
**(x8)**



1/4" Washers  
**(x8)**



Spacer Washer  
**(x2)**





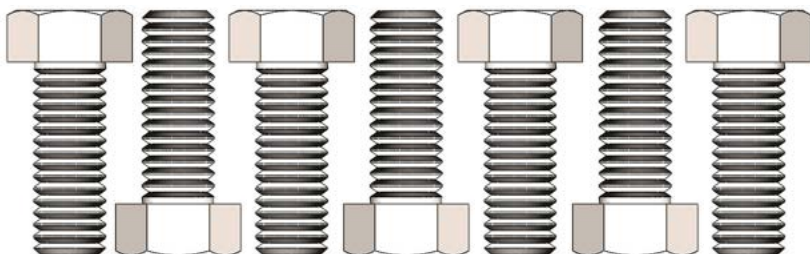


# Signature Series Front Skidplate Shipping Slip

\*if skidplate included\*

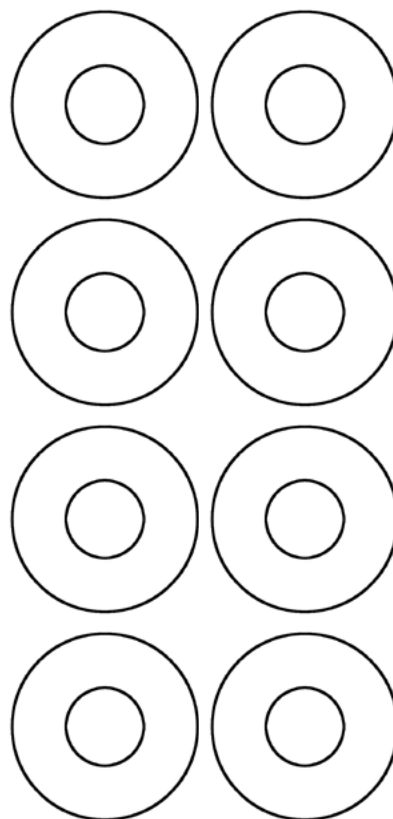
3/8"x1" Hex Head

(x6)



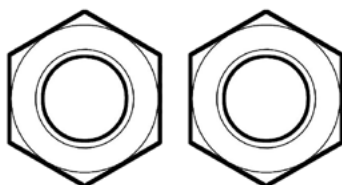
7/16" Washers

(x4)



3/8" Nuts

(x2)



Assembled By : \_\_\_\_\_

Date : \_\_\_\_\_