



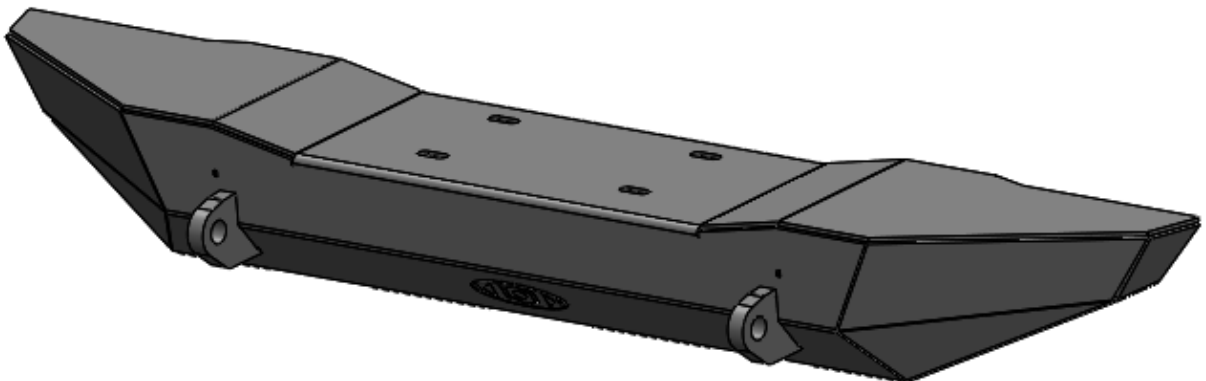
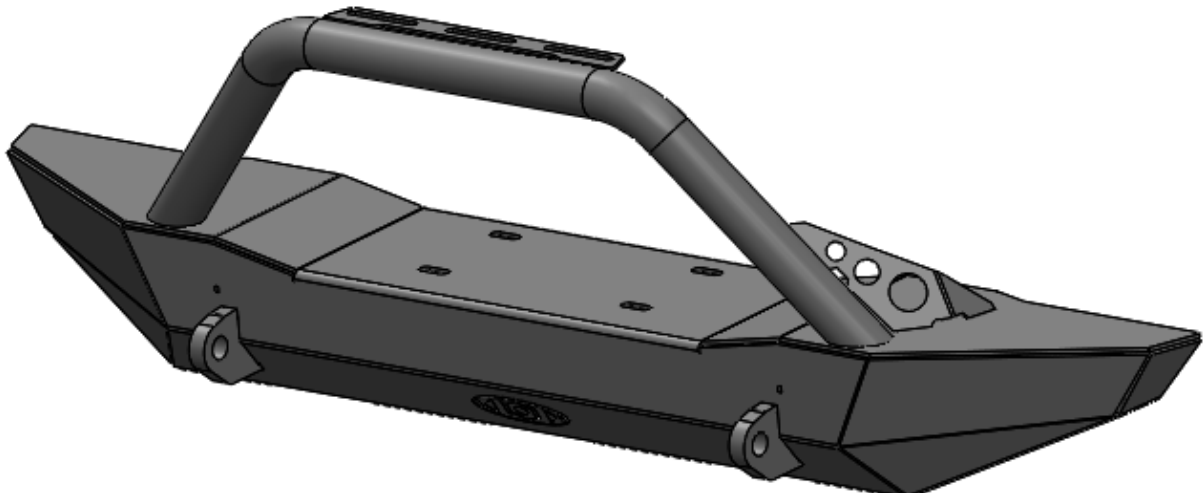
DESTROYER SERIES

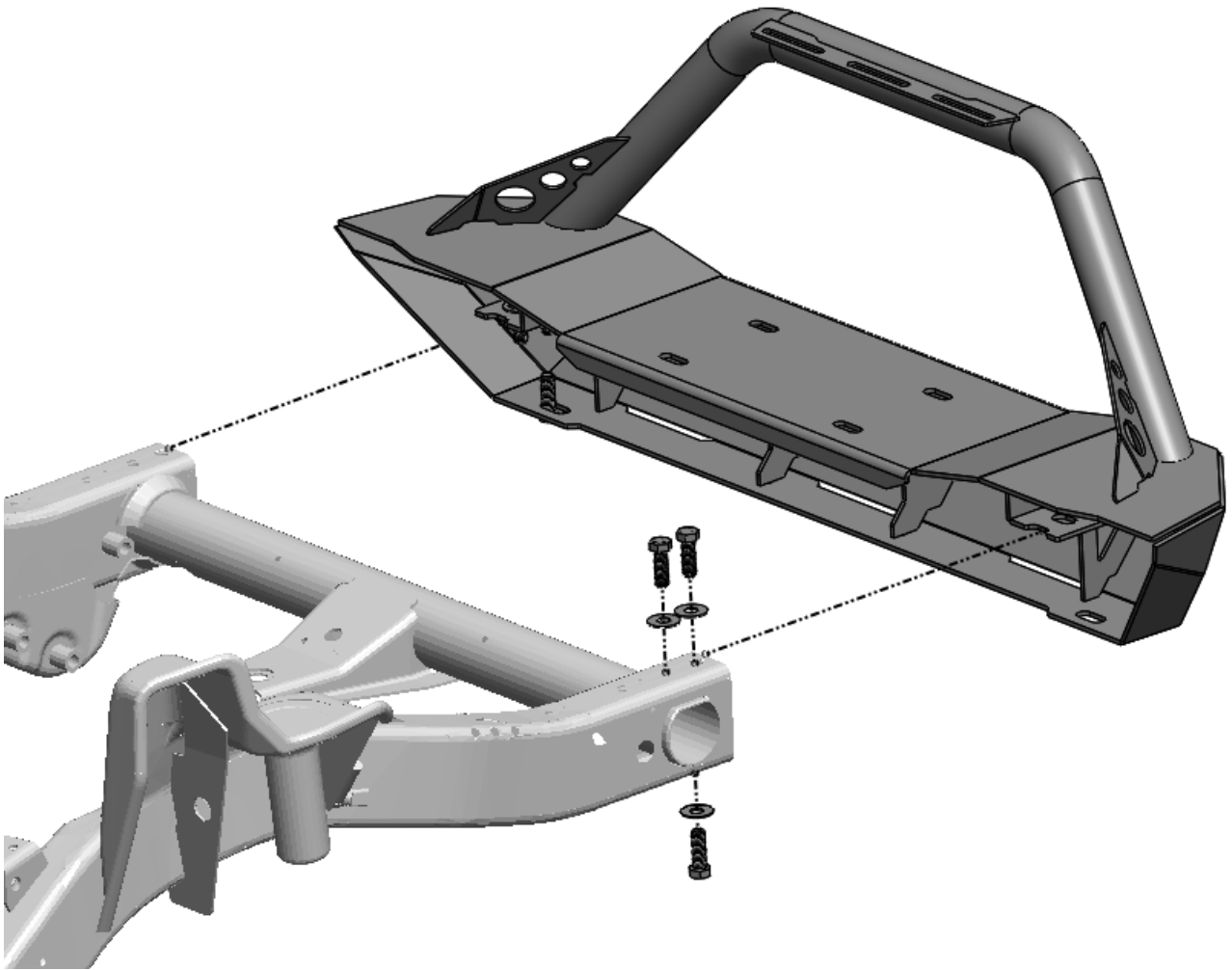
TJ LJ YJ

JEEP TJ/LJ/YJ DESTROYER
FRONT BUMPER

WEB LINK: <http://lodoffroad.com/assets/pdfs/JFB9674 TJ YJ DESTROYER FRONT BUMPER.pdf>

VERIFY YOU HAVE ALL THE COMPONENTS BEFORE STARTING THE INSTALLATION. REFER TO THE ENGINEERING DRAWINGS AT THE END OF THIS DOCUMENT FOR A COMPLETE PARTS LIST





Mount your Destroyer Front Bumper to the original mounting locations on your frame using the provided hardware. If you are installing a winch, do this before mounting your bumper on the frame.

****Maintenance****

- Periodically check and re-tighten all fasteners.
- Periodically check your Destroyer Front Bumper for scratches or dings which can happen over time or after heavy use or highway driving. It is important to address these areas as soon as possible to prevent flaking and corrosion or rust from spreading. We recommend using Rustoleum® brand Black Semi-Gloss Protective Enamel (oil based). Remove loose powder coating, sand the area and clean using alcohol. Apply using a foam brush by dabbing to match the powder coat texture.



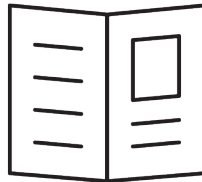


TJ/LJ/YJ Jeep
DESTROYER SERIES
 JEEP TJ/YJ DESTROYER
 FRONT BUMPER

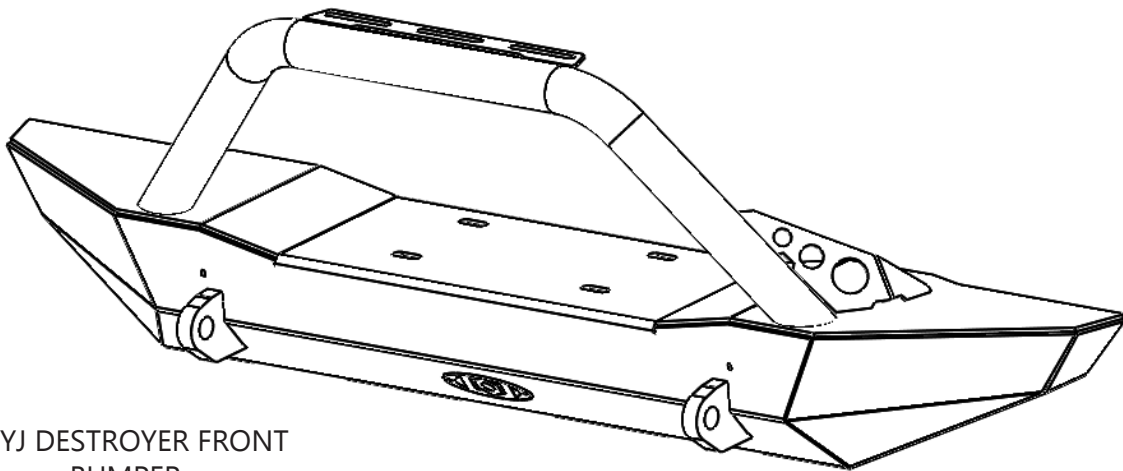
SHIPPING SHEET

Packaged by:

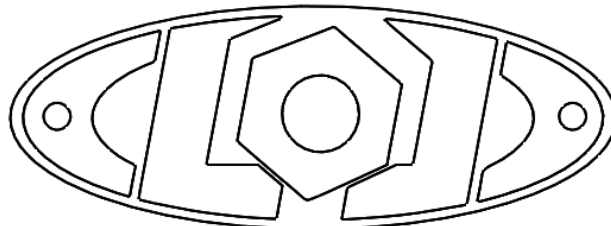
On:



INSTRUCTION
 SHEET



TJ/YJ DESTROYER FRONT
 BUMPER
 (STYLE MAY VARY)
(x1)



PACKAGED SEPERATE IF BUMPER IS BARE STEEL

LOD LOGO
(x1)

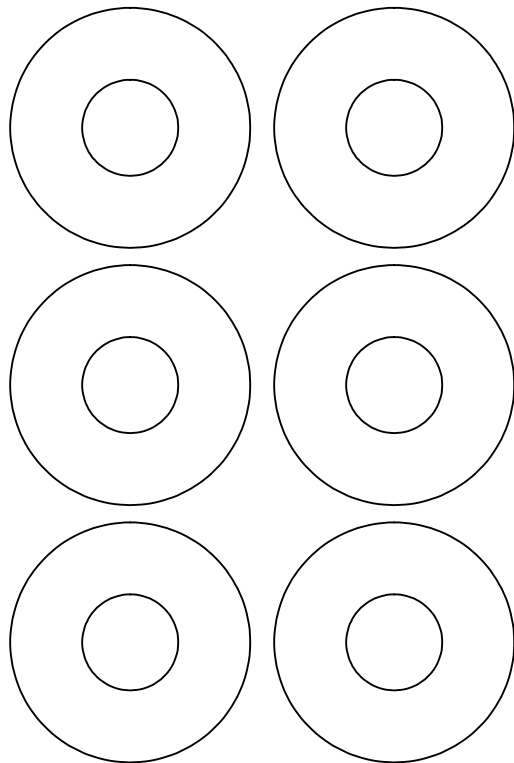




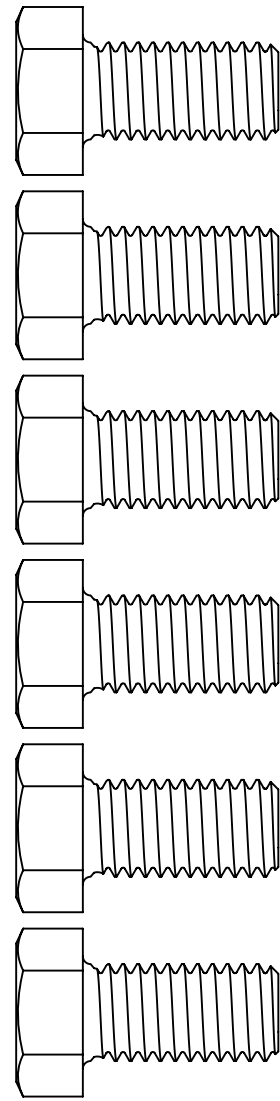
TJ/LJ/YJ Jeep
DESTROYER SERIES
JEEP TJ/YJ DESTROYER
FRONT BUMPER
BOLT KIT

Packaged by:

On:



FLAT WASHER
7/16 X 1.25
(x6)



HEX BOLT 1/2-13 X 1.00
(x6)

