



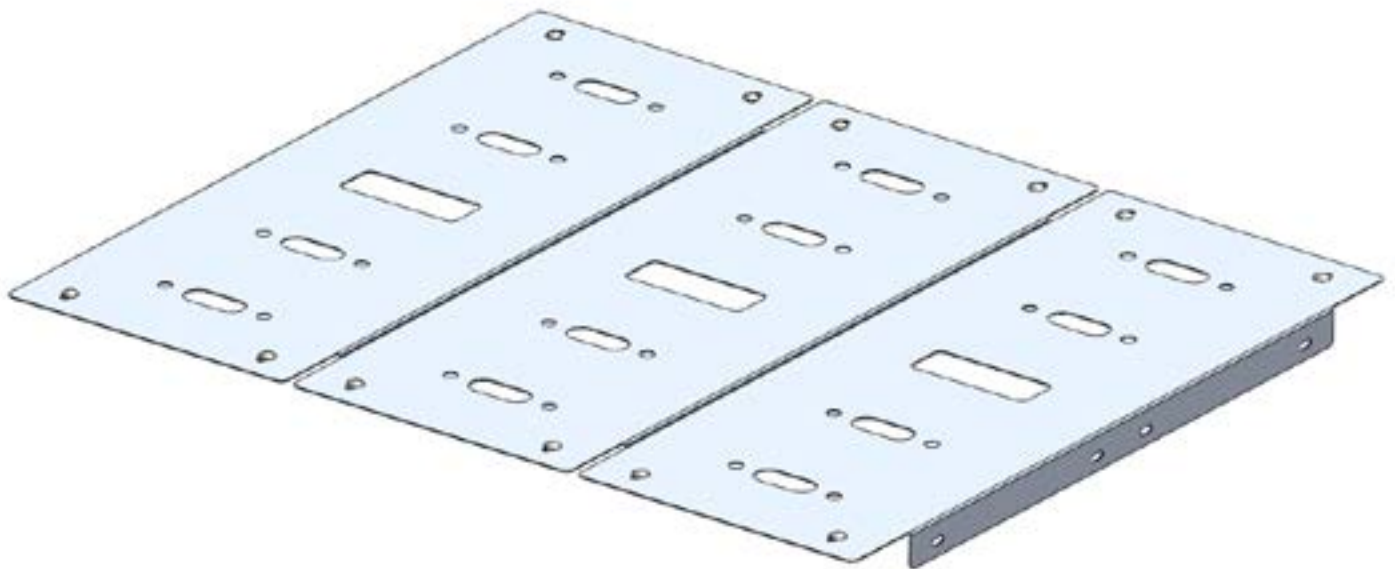
BLACK OPS SERIES

JT

BED RACK FLOOR KIT

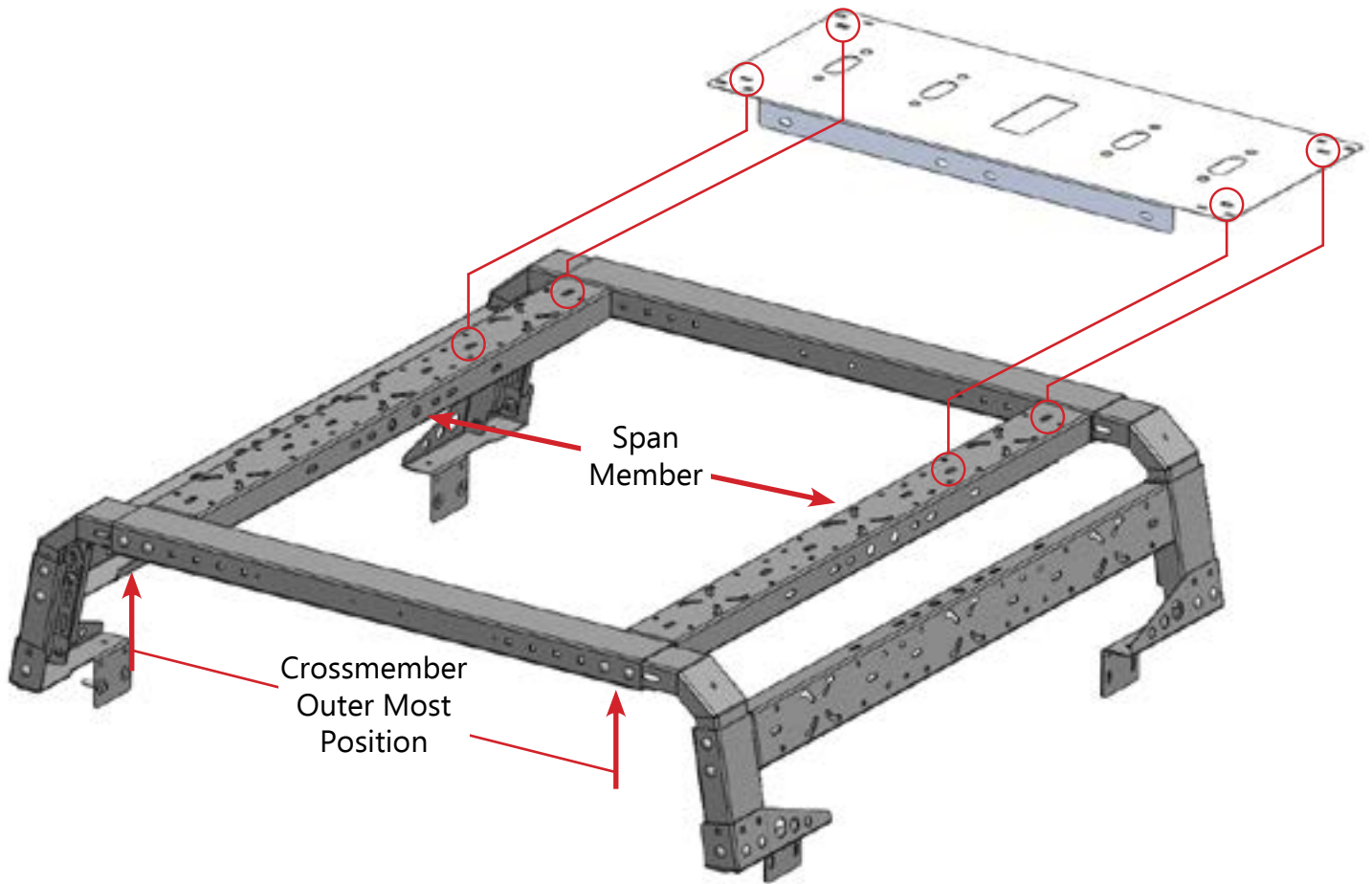


VERIFY YOU HAVE ALL THE COMPONENTS BEFORE STARTING THE INSTALLATION. REFER TO THE ENGINEERING DRAWINGS AT THE END OF THIS DOCUMENT FOR A COMPLETE PARTS LIST

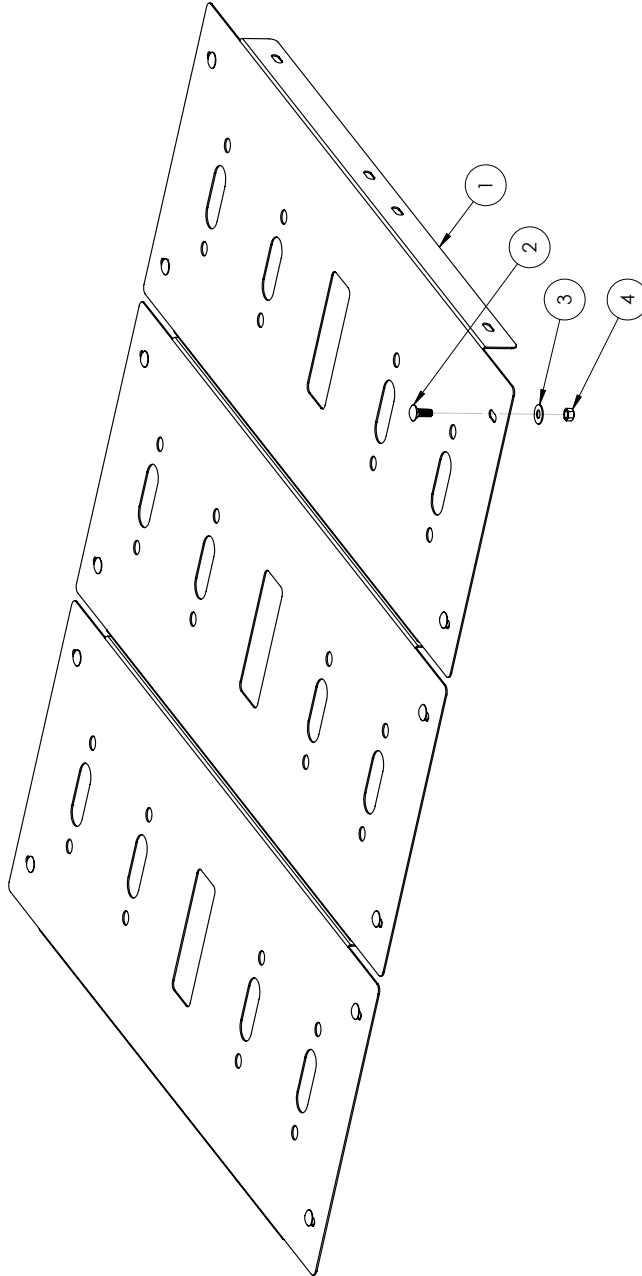


Install the Floor Kit as shown in the image below. Align the slots on the Span Member with the mounting holes on the floor kit. Install using the Ø3/8 Carriage Bolts, Nuts and Washers Provided. There are 3 positions along the Span Member for mounting the Floor Kit.

The Span Members will need to be installed in the outer most positions on the Cross Member as shown below.



ITEM NO.	PART NUMBER	DESCRIPTION	QTY.
1	2JFK2020-01	BED RACK FLOOR PANEL	3
2	CB381616ZPGR5	CARRIAGE BOLT 3/8-16 X 1.00 ZINC PLATE GR5	12
3	FW3816ZP	FLAT WASHER Ø3/8" X 1.00 ZINC PLATE	12
4	HN3816ZPGR5	HEX NUT 3/8-16 ZINC PLATE GR5	12



- NOTES:**
1. JFK2020 = BARE ALUMINIUM OPTION
2. JFK2021 = BLACK POWDER COAT
3. WEIGHT = APPROX 19 LBS

UNLESS OTHERWISE SPECIFIED:		NAME	DATE
DRAWN	MCH	9/20/2022	
CHECKED			
ENG APPR.			
MFG APPR.			
DIMENSIONS ARE IN INCHES		MATERIAL: N/A	
TWO PLACE DECIMAL ±0.015		FINISH: N/A	
THREE PLACE DECIMAL ±0.005		PROPERTY OF LOD LLC. ANY	
REPRODUCTION OR TRANSMISSION		WITHOUT THE WRITERS	
PERMISSION OF LOD LLC IS		PROHIBITED.	
PROPRIETARY AND CONFIDENTIAL THE INFORMATION CONTAINED IN THIS DRAWING IS THE SOLE PROPERTY OF LOD LLC. ANY REPRODUCTION OR TRANSMISSION WITHOUT THE WRITERS PERMISSION OF LOD LLC IS PROHIBITED.		LOD LLC. DESCRIPTION: BED RACK FLOOR KIT	
DWG. NO. JFK2020		REV	
JFK2021		A	
SCALE: 1:6		SHEET SIZE: B	
		SHEET 1 OF 1	

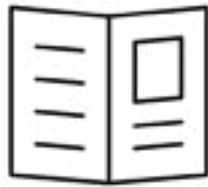


**JT Jeep
BLACK OPS SERIES**

BED RACK
FLOOR KIT
SHIPPING SHEET

Packaged by:

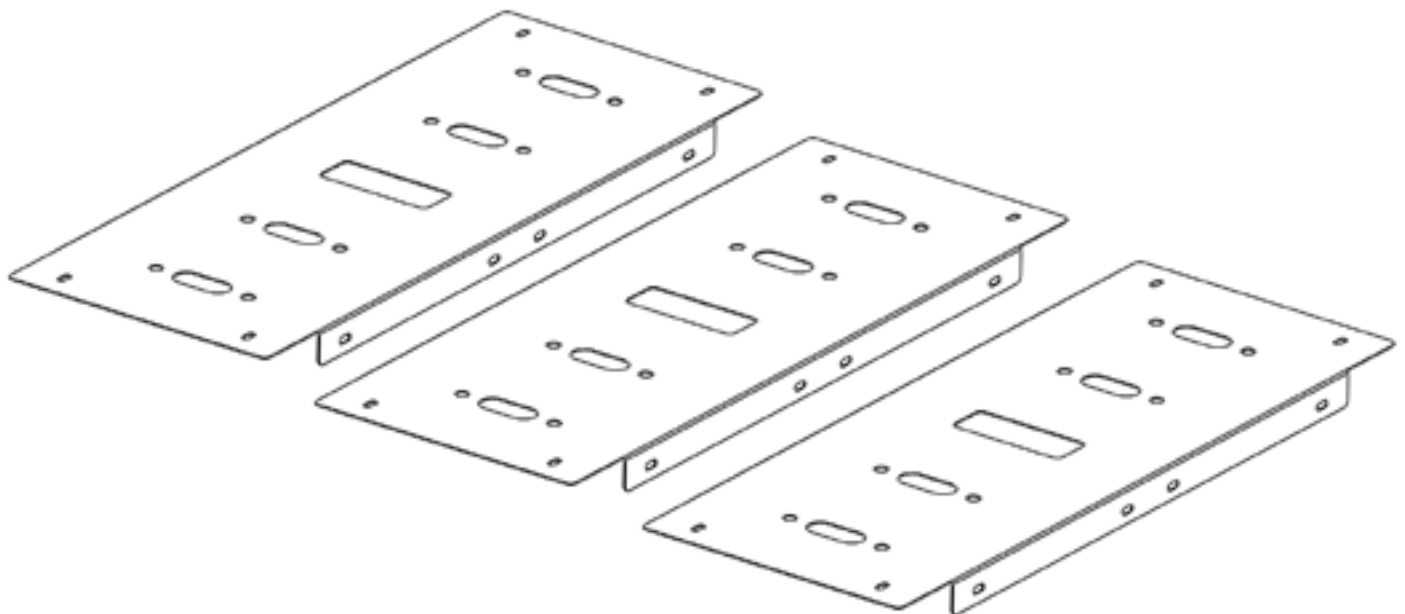
On:



Instruction
Booklet



BOLT KIT
(may vary)



BED RACK
FLOOR PANEL
2JFK2020-01
(x3)



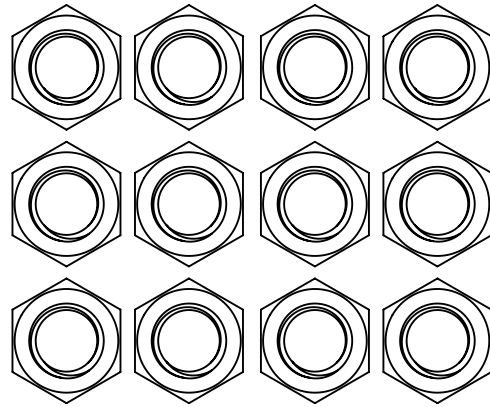


**JT Jeep
BLACK OPS SERIES**

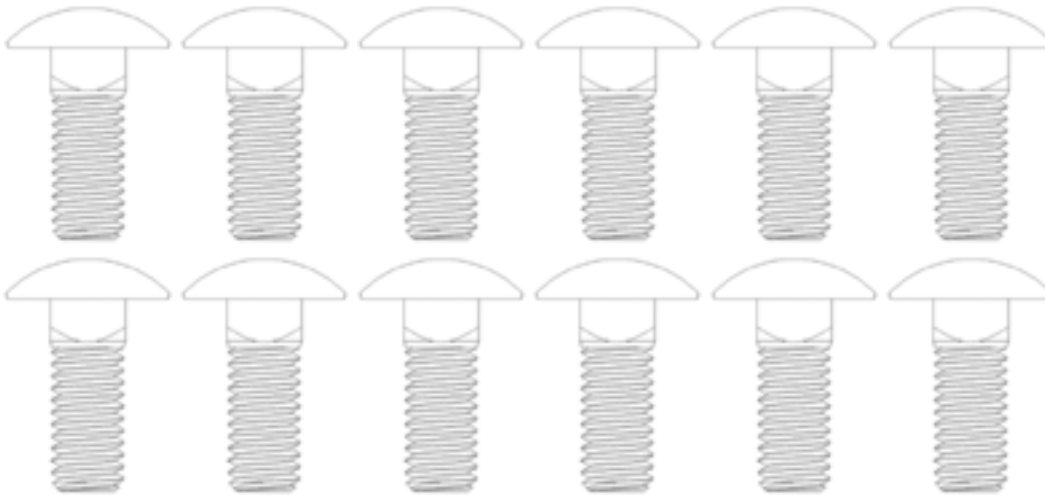
BED RACK
FLOOR KIT
BOLT KIT

Packaged by:

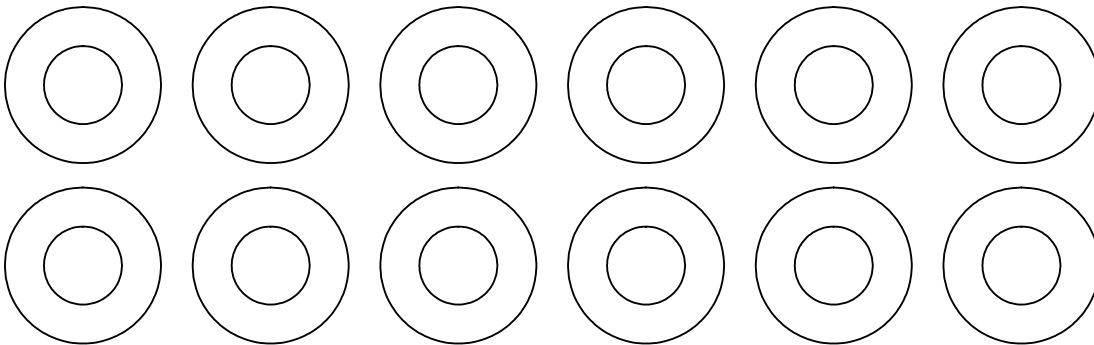
On:



HEX NUT 3/8-16
1136306
(x12)



CARRIAGE BOLT
3/8-16 X 1.00
(0155068)
(x12)



FLAT WASHER
Ø3/8 X 1.00
(x12)

