



SIGNATURE SERIES

TJ FRAME TIE-IN BRACKETS

PLEASE READ THROUGH THE INSTRUCTIONS BEFORE BEGINNING ANY PART OF THE INSTALLATION PROCESS



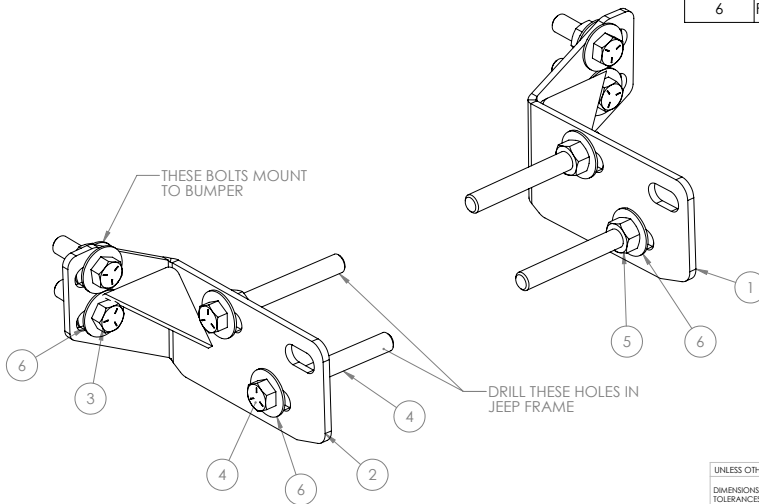
WEB INSTALL LINK:

<http://lodoffroad.com/assets/pdfs/JFT9601.pdf>

ITEM NO.	PART NUMBER	DESCRIPTION	QTY.
1	4JFT9600	TJ FRAME TIE IN BRACKET DS	1
2	4JFT9600-2	TJ FRAME TIE IN BRACKET PS	1

HARDWARE

ITEM NO.	PART NUMBER	DESCRIPTION	QTY.
3	HB431424ZPGR5	HEX BOLT 7/16-14 X 1.50 HEX BOLT ZINC PLATE GR5	4
4	HB431456ZPGR5	HEX BOLT 7/16-14 X 3.50 HEX BOLT ZINC PLATE GR5	4
5	HN4314ZPGR5	HEX NUT 7/16-14 ZINC PLATE GR5	8
6	FW4318ZP	FLAT WASHER Ø7/16 X 1.25" ZINC PLATED	16



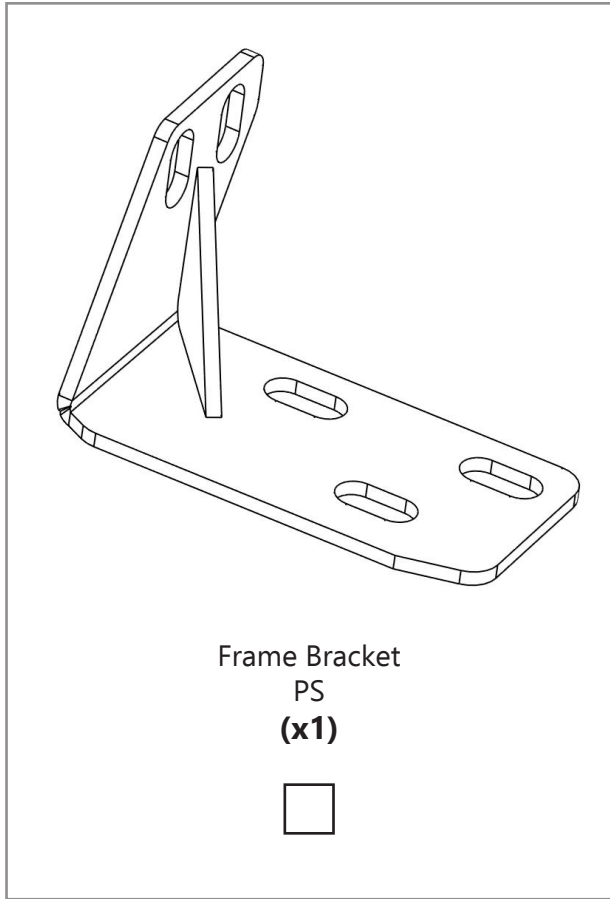
UNLESS OTHERWISE SPECIFIED: DIMENSIONS ARE IN INCHES TOLERANCES: ±0.010 ANGULAR: MACH ±1° TWO PLACE DECIMAL ±0.015 THREE PLACE DECIMAL ±0.005	<table border="1"> <tr> <td>NAME</td> <td>DATE</td> </tr> <tr> <td>MCH</td> <td>3/6/2020</td> </tr> <tr> <td>CHECKED</td> <td></td> </tr> <tr> <td>ENG APPR:</td> <td></td> </tr> <tr> <td>MFG APPR:</td> <td></td> </tr> </table>	NAME	DATE	MCH	3/6/2020	CHECKED		ENG APPR:		MFG APPR:		<table border="1"> <tr> <td>LOD LLC.</td> <td rowspan="2"></td> </tr> <tr> <td>DESCRIPTION: TJ FRAME TIE IN BRACKETS</td> </tr> <tr> <td>DWG. NO. JFT9600</td> <td>REV A</td> </tr> <tr> <td>SCALE: 1:2</td> <td>SHEET SIZE: B</td> </tr> <tr> <td colspan="2">SHEET 1 OF 1</td> </tr> </table>	LOD LLC.		DESCRIPTION: TJ FRAME TIE IN BRACKETS	DWG. NO. JFT9600	REV A	SCALE: 1:2	SHEET SIZE: B	SHEET 1 OF 1	
NAME	DATE																				
MCH	3/6/2020																				
CHECKED																					
ENG APPR:																					
MFG APPR:																					
LOD LLC.																					
DESCRIPTION: TJ FRAME TIE IN BRACKETS																					
DWG. NO. JFT9600	REV A																				
SCALE: 1:2	SHEET SIZE: B																				
SHEET 1 OF 1																					
<p>PROPRIETARY AND CONFIDENTIAL</p> <p>THE INFORMATION CONTAINED IN THIS DRAWING IS THE SOLE PROPERTY OF LOD LLC. ANY REPRODUCTION IN PART OR AS A WHOLE WITHOUT THE WRITTEN PERMISSION OF LOD LLC IS PROHIBITED.</p>	<table border="1"> <tr> <td>MATERIAL:</td> <td>N/A</td> </tr> <tr> <td>FINISH:</td> <td>BLACK POWDER COAT</td> </tr> <tr> <td>ECO:</td> <td>-</td> </tr> </table>	MATERIAL:	N/A	FINISH:	BLACK POWDER COAT	ECO:	-														
MATERIAL:	N/A																				
FINISH:	BLACK POWDER COAT																				
ECO:	-																				



TJ SIGNATURE SERIES
Frame Tie-In Brackets
SHIPPING SHEET

Packaged by:

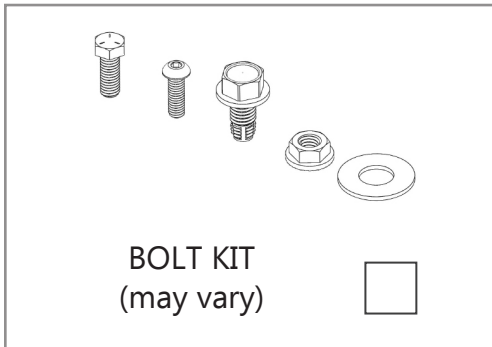
On:



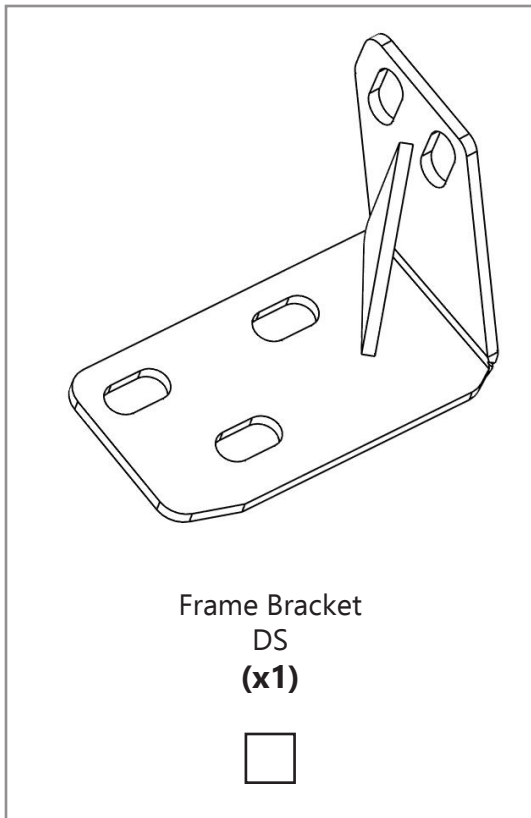
Frame Bracket

PS

(x1)



BOLT KIT
(may vary)



Frame Bracket

DS

(x1)

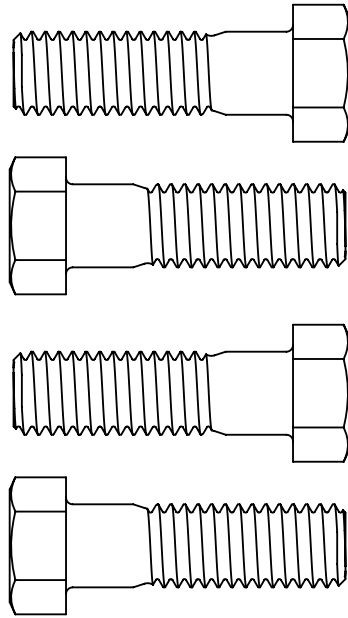




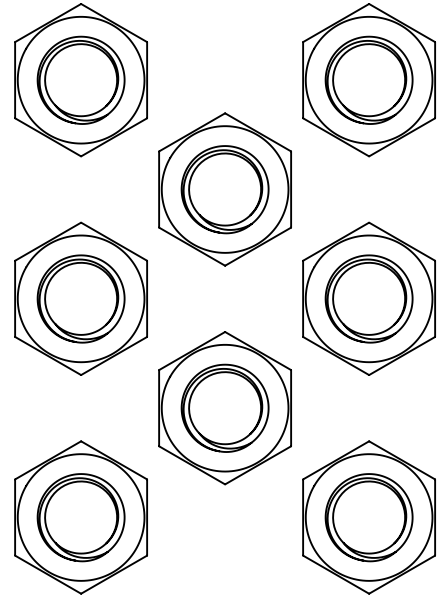
TJ SIGNATURE SERIES
Frame Tie-In Brackets
Bolt Kit

Packaged by:

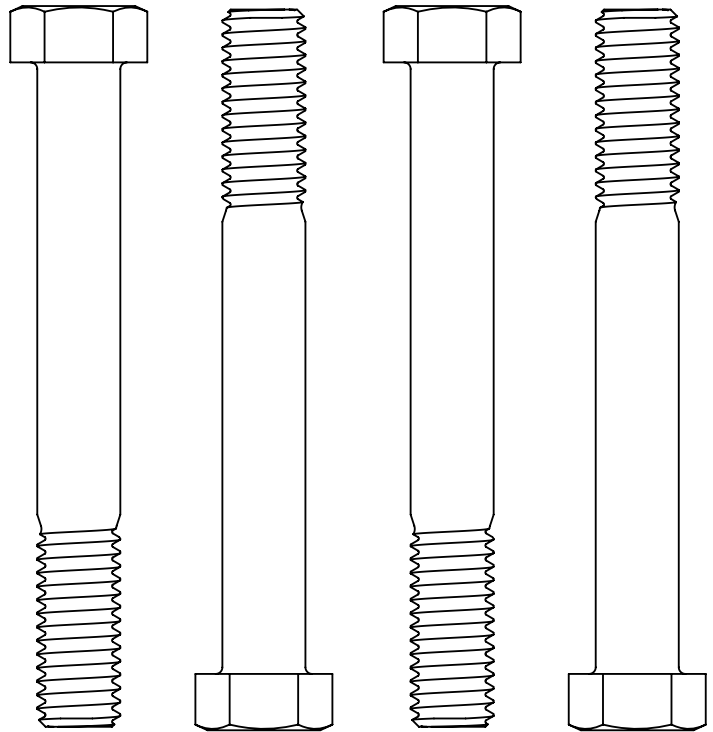
On:



Hex Bolt
7/16"-14 x 1.5"
(x4)



Hex Nut
7/16"-14
(x8)



Hex Bolt
7/16"-14 x 3.5"

(x4)



