



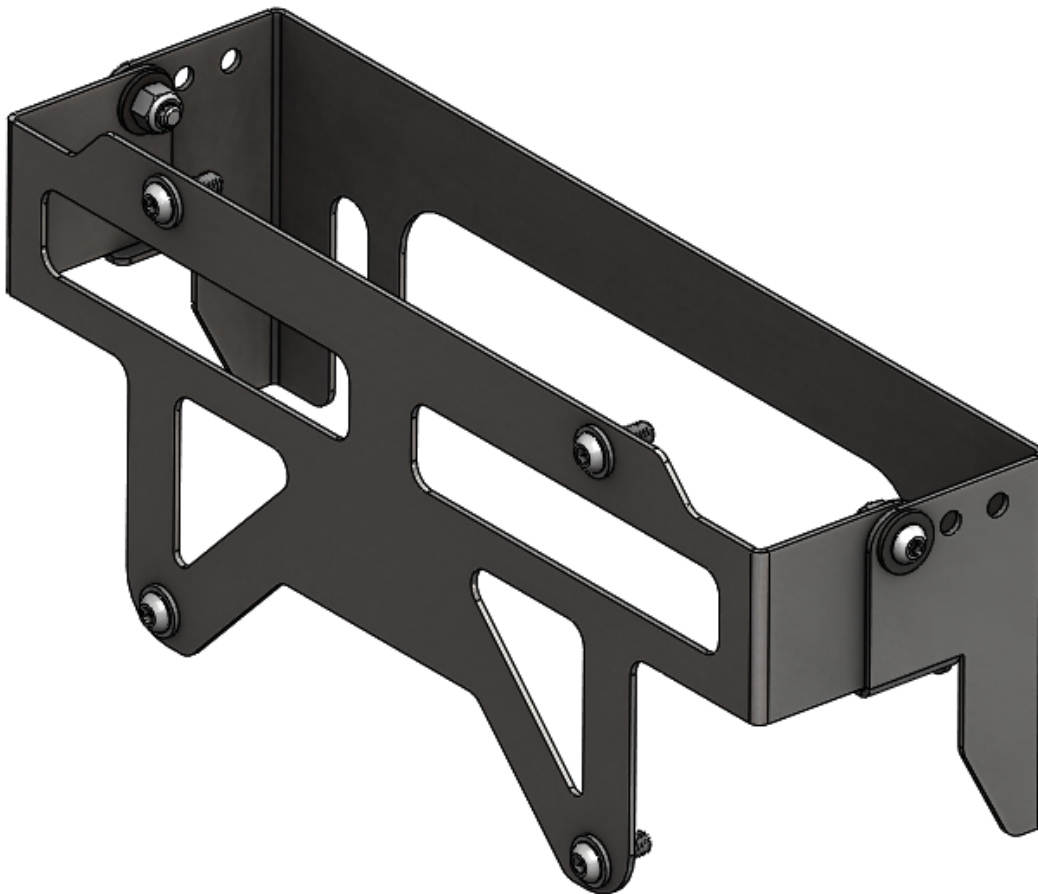
SIGNATURE SERIES

JK/JL/JT

LICENSE PLATE FRONT
BUMPER FLIP MOUNT

WEB LINK: <http://lodoffroad.com/assets/pdfs/JLP0720 License Plate FB Flip Mount.pdf>

VERIFY YOU HAVE ALL THE COMPONENTS BEFORE STARTING THE INSTALLATION. REFER TO THE ENGINEERING DRAWINGS AT THE END OF THIS DOCUMENT FOR A COMPLETE PARTS LIST

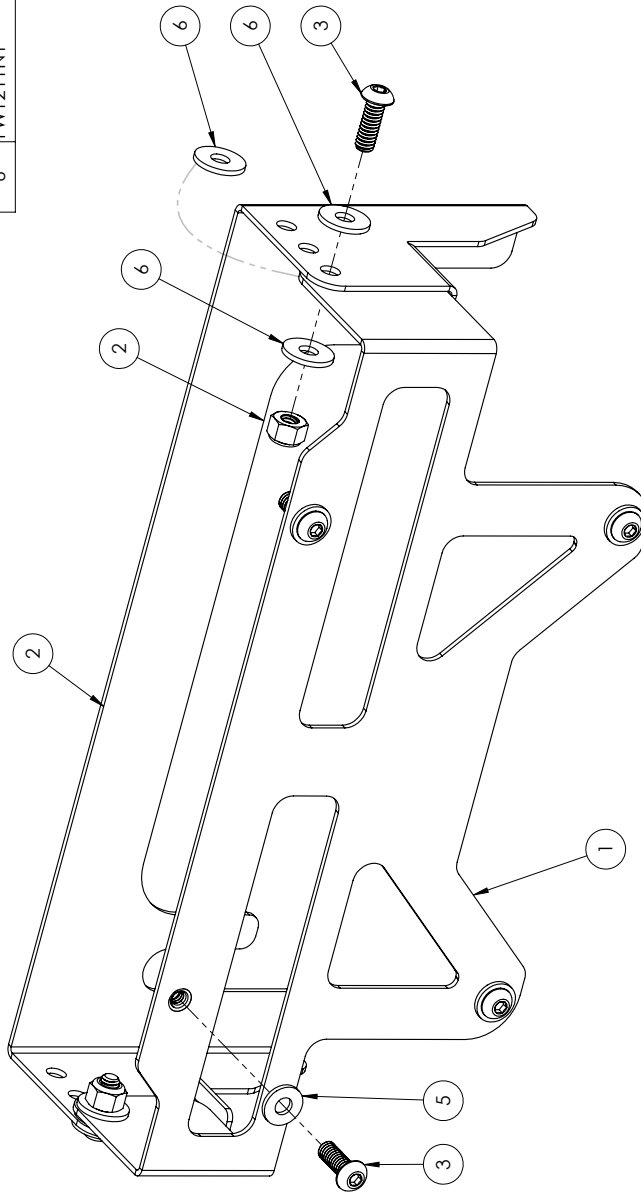


****Maintenance****

- Periodically check and re-tighten all fasteners.
- Periodically check for scratches or dings which can happen over time or after heavy use or highway driving. It is important to address these areas as soon as possible to prevent flaking and corrosion or rust from spreading. We recommend using Rustoleum® brand Black Semi-Gloss Protective Enamel (oil based). Remove loose powder coating, sand the area and clean using alcohol. Apply using a foam brush by dabbing to match the powder coat texture.



| ITEM NO. | PART NUMBER | DESCRIPTION | QTY. |
|----------|---------------|---|------|
| 1 | 4JLP0730-01 | SIG FB LICENSE PLATE FLIP | 1 |
| 2 | 2JLP0730-01 | SIG FB LICENSE PLATE FLIP MOUNT | 1 |
| 3 | BHSCS252012ZP | BHSCS 1/4-20 X .75 ZINC PLATE | 6 |
| 4 | LHN2520ZPGR5 | NYLOK LOCKING HEX NUT 1/4-20 ZINC PLATE GR5 | 2 |
| 5 | FW1209ZP | FLAT WASHER #12 X .56" ZINC PLATED | 4 |
| 6 | FW1211NY | FLAT WASHER #12 X .69 BLACK NYLON | 6 |



NOTES:
 1. JLP0730 = BARE STEEL OPTION
 2. JLP0731 = BLACK POWDER COAT OPTION

| | | | |
|--|-----------|-----------|---------------|
| UNLESS OTHERWISE SPECIFIED: | | NAME | DATE |
| DIMENSIONS ARE IN INCHES | | MCH | 9/28/2020 |
| TOLERANCES: ±0.010 | | | |
| ANGULAR: MACH ±1° | | | |
| TWO PLACE DECIMAL | ±0.015 | ENG APPR: | |
| THREE PLACE DECIMAL | ±0.005 | MFG APPR: | |
| PROPRIETARY AND CONFIDENTIAL | REVISION: | | |
| THE INFORMATION CONTAINED IN THIS DRAWING IS THE SOLE PROPERTY OF LOD LLC. ANY REPRODUCTION OR TRANSMISSION, IN WHOLE OR IN PART, WITHOUT THE WRITTEN PERMISSION OF LOD LLC IS PROHIBITED. | N/A | | |
| SEE NOTES | | | |
| | DWG. NO. | JLP0730 | REV |
| | | JLP0731 | A |
| | SCALE: | 1:1.5 | SHEET SIZE: B |
| | | | SHEET 1 OF 1 |



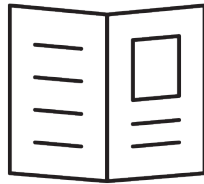
LOD LLC.
 DESCRIPTION:
 SIGNATURE LICENSE PLATE FLIP MOUNT



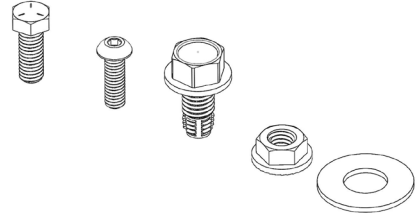
JK/JL/JT Jeep
SIGNATURE SERIES
 LICENSE PLATE FRONT
 BUMPER FLIP MOUNT
 SHIPPING SHEET

Packaged by:

On:



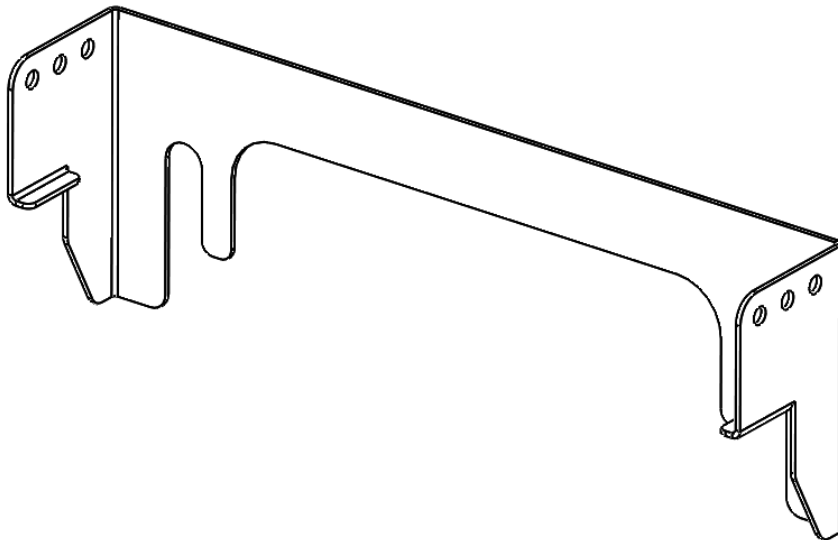
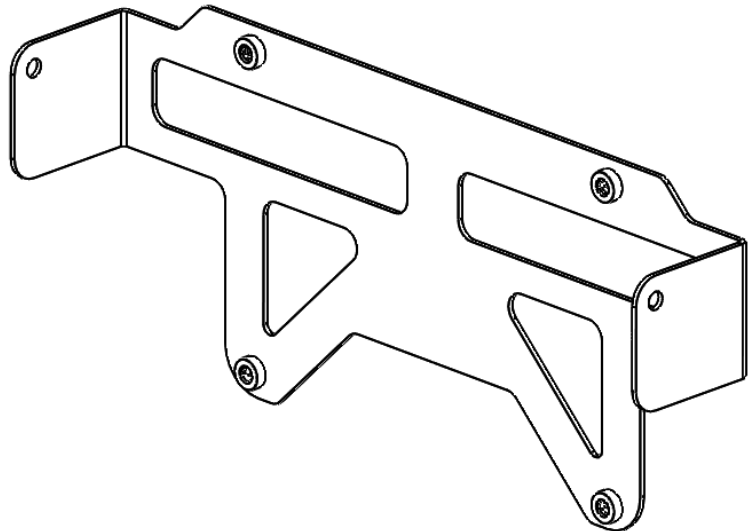
Instruction
Booklet



BOLT KIT
(may vary)



SIG LICENSE PLATE FRONT
 BUMPER PLATE FLIP
 4JLP0730-01
(x1)



SIG LICENSE PLATE FRONT
 BUMPER FLIP MOUNT
 2JLP0730-01
(x1)

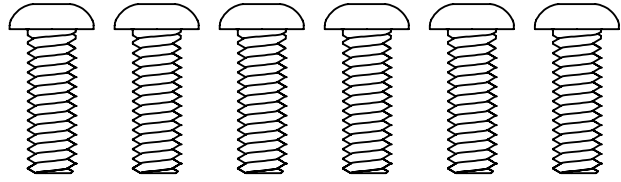




**JK/JL/JT Jeep
SIGNATURE SERIES
FRONT BUMPER LICENSE
PLATE UNDER MOUNT
BOLT KIT**

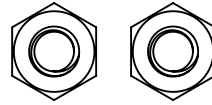
Packaged by:

On:



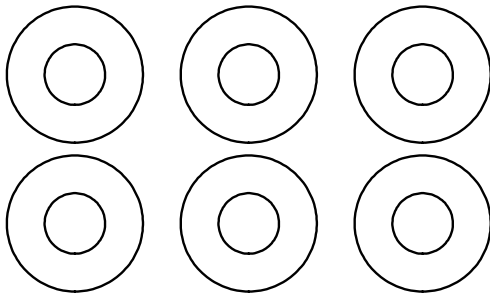
1/4-20 X .75" BUTTON HEAD CAP SCREW

(x6)



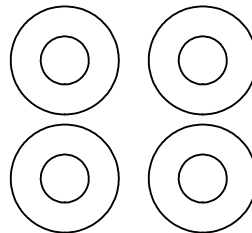
1/4-20 NYLOK LOCKING
HEX NUT

(x2)



#12 X .69" FLAT WASHER
BLACK NYLON

(x6)



#12 X .56" FLAT WASHER

(x4)

