



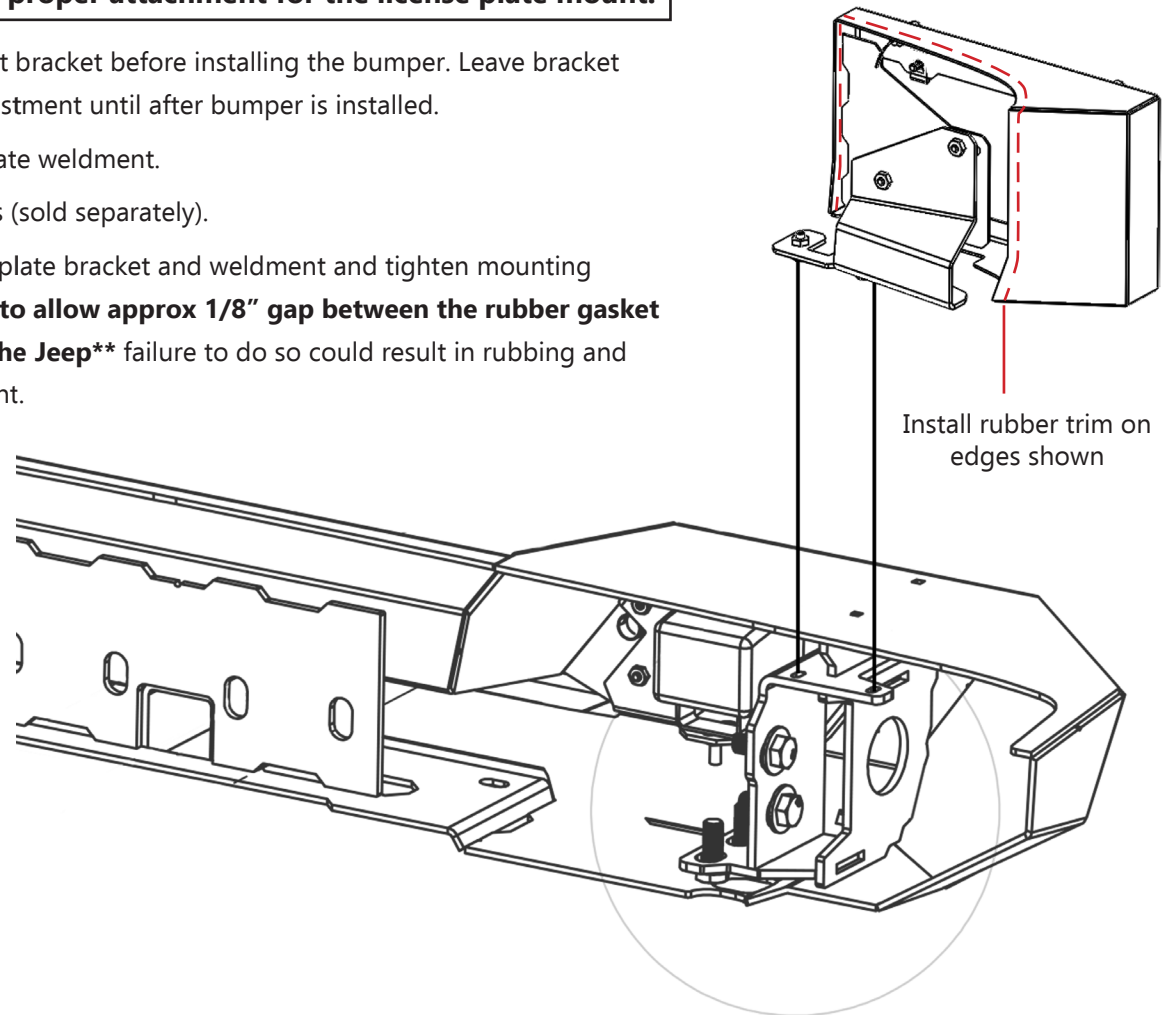
LICENSE PLATE
RELOCATION

***PLEASE READ THROUGH THE
INSTRUCTIONS BEFORE BEGINNING
ANY PART OF THE INSTALLATION
PROCESS***

WEB INSTALL LINK:
<http://lodoffroad.com/assets/pdfs/JLP1800INS.pdf>

This shows the proper attachment for the license plate mount.

1. Install the mount bracket before installing the bumper. Leave bracket loose to allow adjustment until after bumper is installed.
2. Install license plate weldment.
3. Install bolt lights (sold separately).
4. Position license plate bracket and weldment and tighten mounting screws. ****Be sure to allow approx 1/8" gap between the rubber gasket and the body of the Jeep**** failure to do so could result in rubbing and damage to the paint.



ITEM NO.	PART NUMBER	FINISH	DESCRIPTION	QTY.
1	4JLP1800-01	BS/BP	LICENSE PLATE WELDMENT	1
2	4JLP1800-02	BP	LICENSE PLATE MOUNT	1

HARDWARE

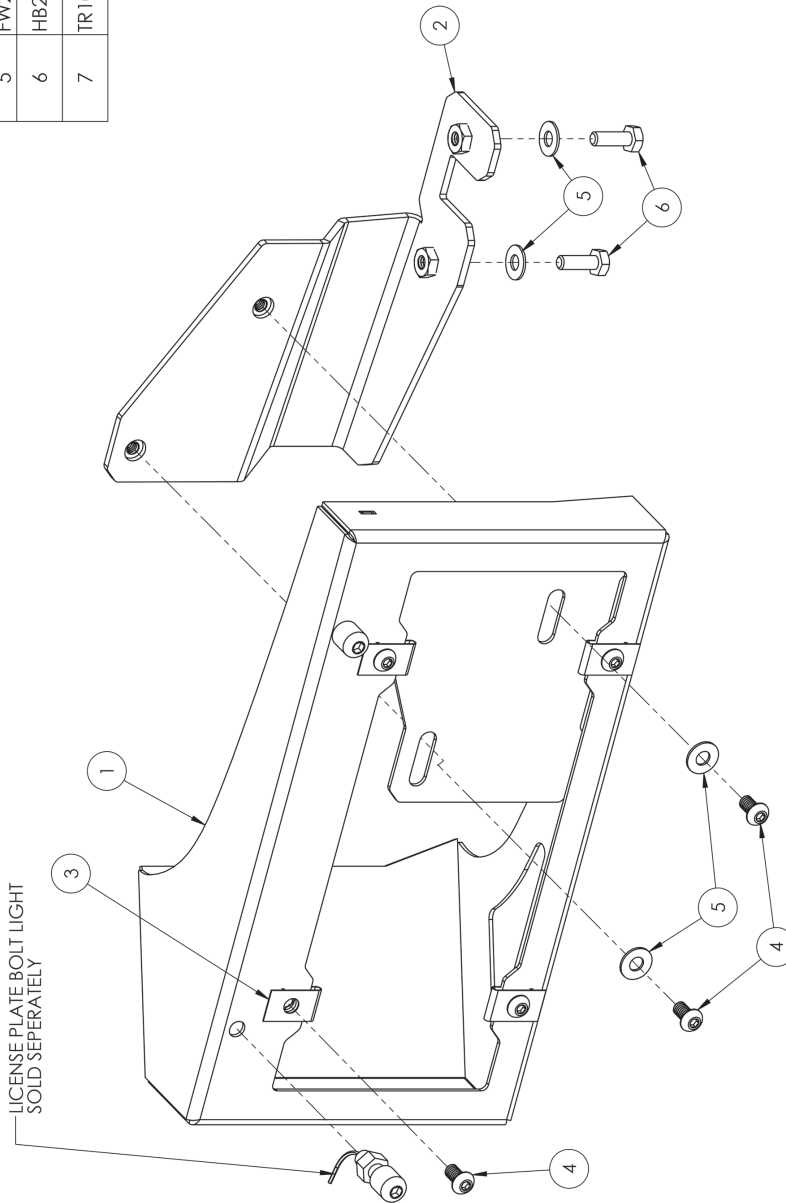
ITEM NO.	PART NUMBER	FINISH	DESCRIPTION	QTY.
3	CL2520BP		CLIP NUT 1/4-20 STEEL BLACK PHOSPHATE	4
4	BHSCS252008SS		BHSCS 1/4-20 X 0.50 STAINLESS STEEL	6
5	FW2510ZP		FLAT WASHER Ø1/4" X .625 ZINC PLATE	4
6	HB252012PGR5		HEX BOLT 1/4-20 X .75 HEX BOLT ZINC PLATE GR5	2
7	TR1001		RUBBER EDGE TRIM (TRIM LOK X2008 WITH GLUE)	31"

NOTES:

1. JLP1800 = BARE STEEL OPTION
2. JLP1801 = BLACK POWDER COAT OPTION

LICENSE PLATE RELOCATION KIT

JLP1800
JLP1801

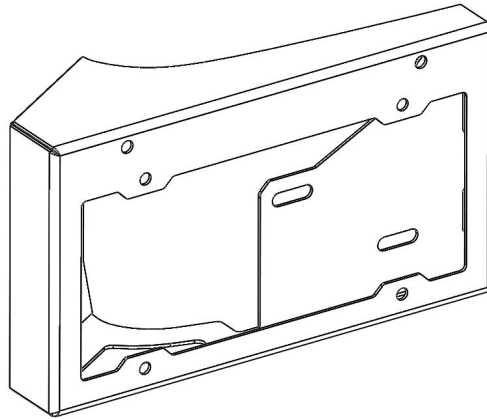




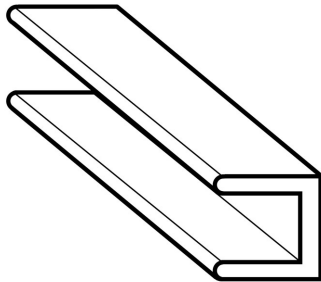
JL Jeep
DESTROYER SERIES
 License Plate Relocation
 SHIPPING SHEET

Packaged by:

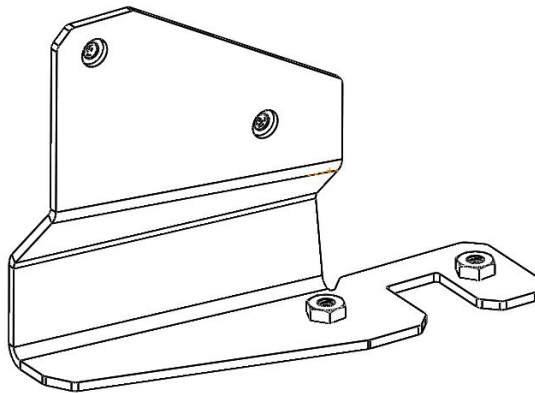
On:



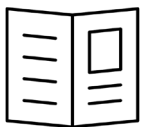
License
 Plate
 Weldment
(x1)



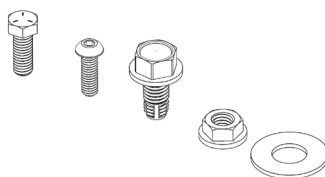
Rubber Edge
 Trim (31")



License
 Plate
 Weldment
 Mount
 Bracket
(x1)



Instruction
 Booklet



BOLT KIT
 (may vary)





JL Jeep
DESTROYER SERIES
License Plate Relocation

Bolt Kit
Packaged by:

On:

