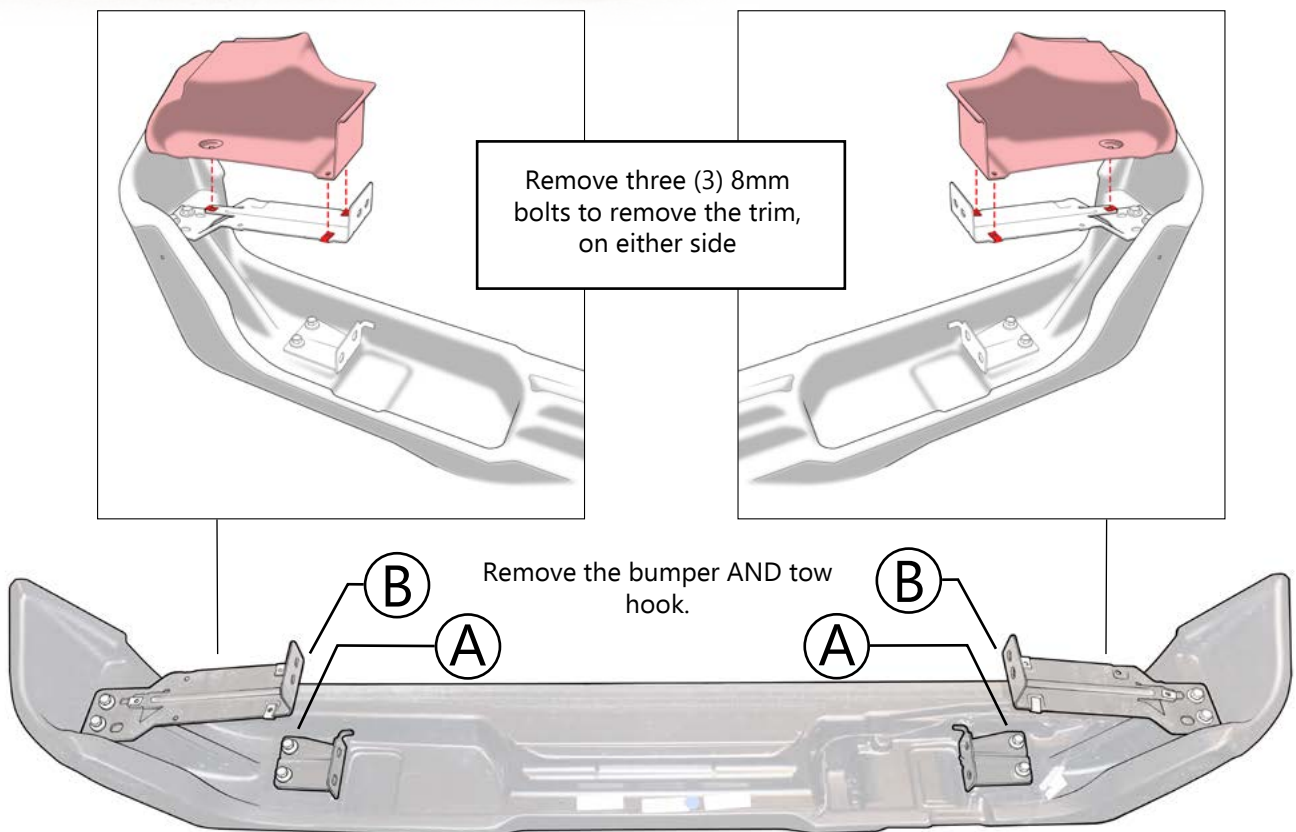




JL DESTROYER
REAR
BUMPER

***PLEASE READ THROUGH
THE INSTRUCTIONS BEFORE
BEGINNING ANY PART OF THE
INSTALLATION PROCESS***

WEB FILE: [http://lodoffroad.com/
assets/pdfs/JL18RBDSINS.pdf](http://lodoffroad.com/assets/pdfs/JL18RBDSINS.pdf)



This diagram shows both brackets (both sides) that hold the stock Jeep Wrangler Sport bumper in place. Using a **5/8"** socket, remove both bolts at locations **(A)** and **(B)**, you can remove the bumper from the vehicle.

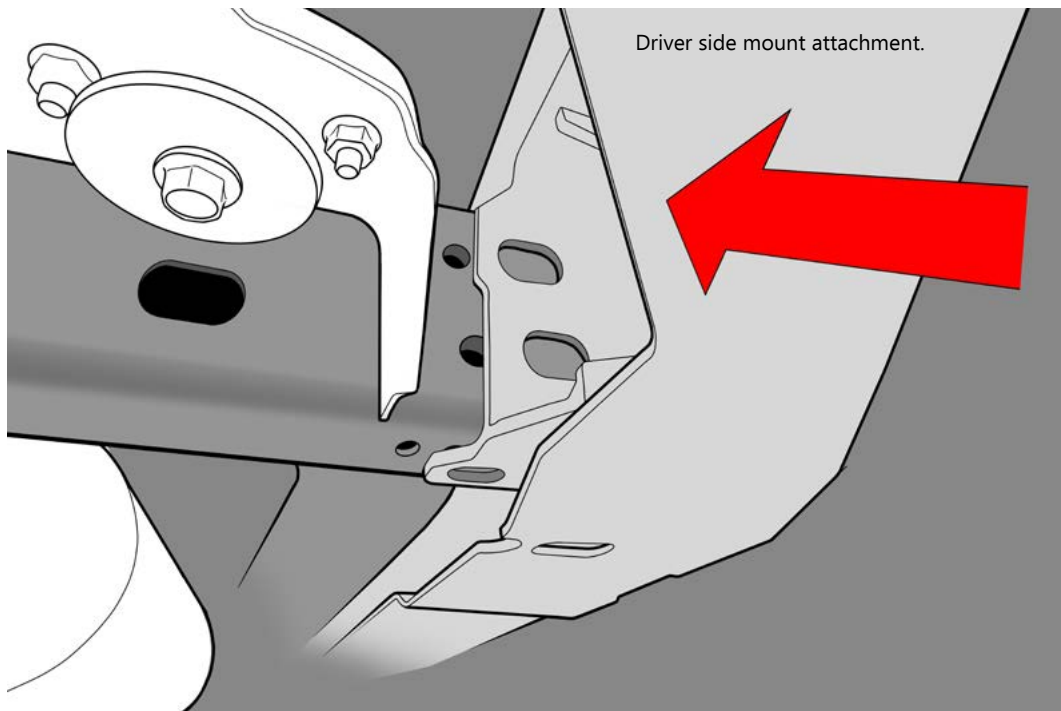
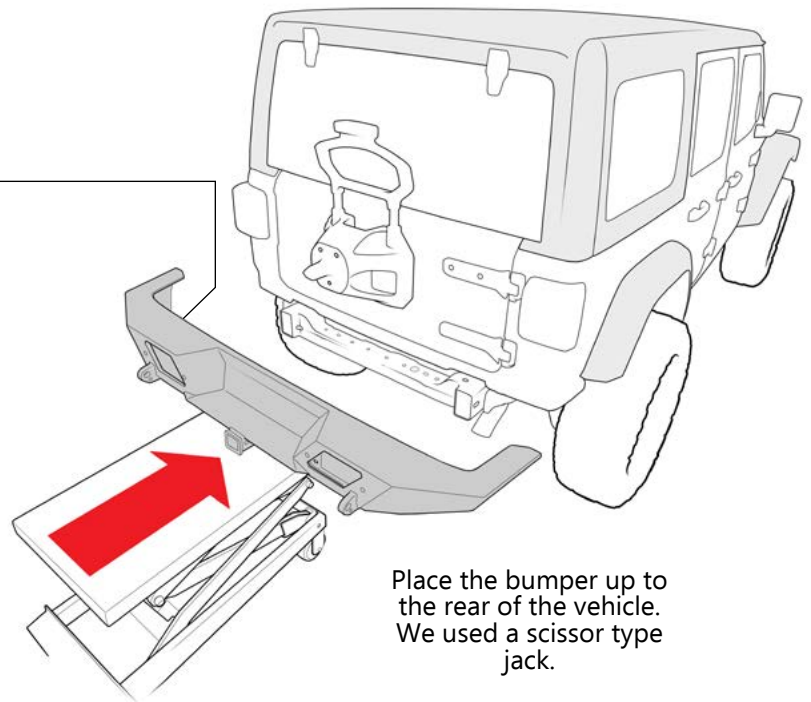
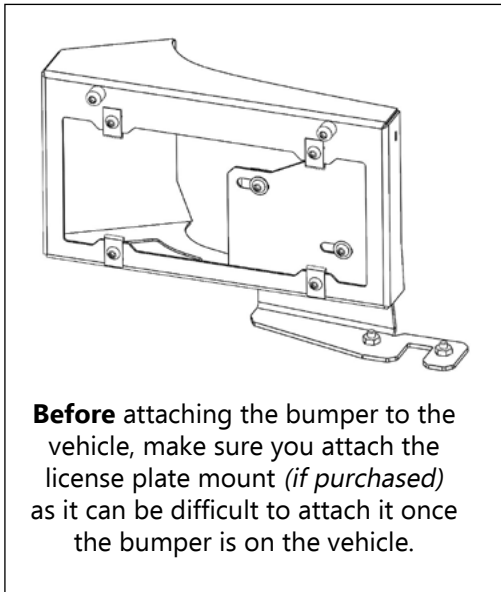
Important:

(Using an 18mm socket, take off the stock hitch.)

(Disconnect the wire license plate light and parking sensor harness before removing from the vehicle)

STOP!

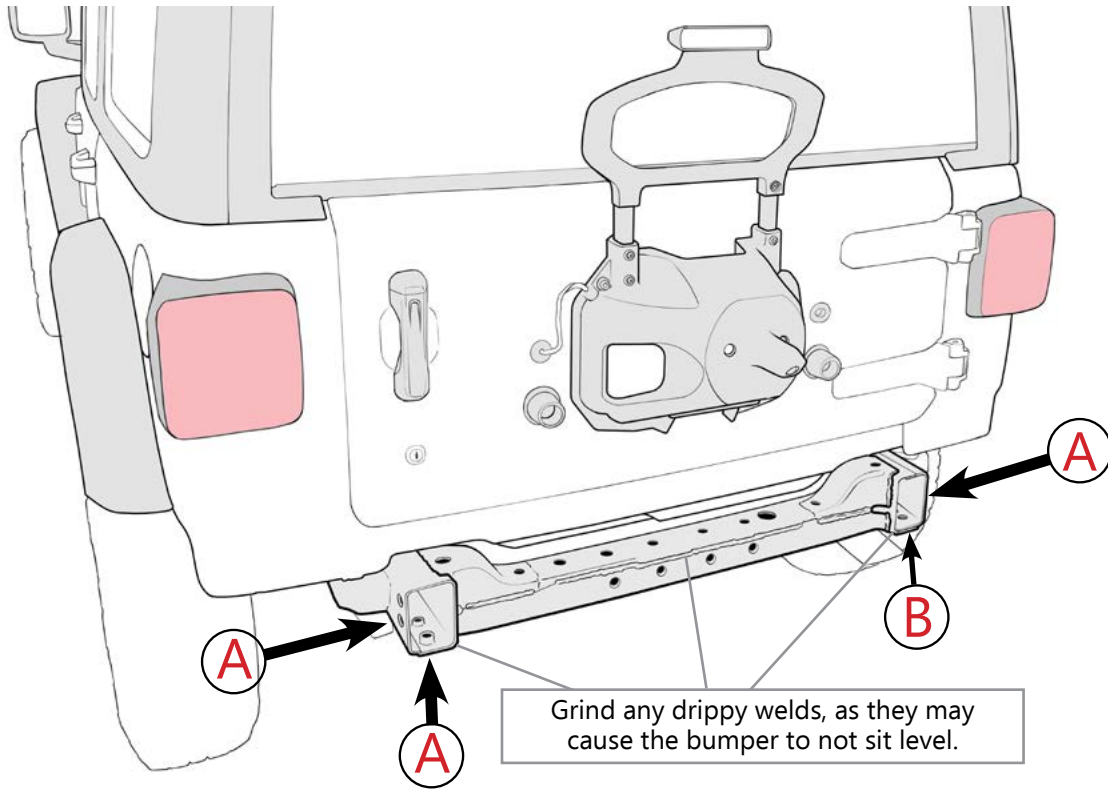
Before continuing, install the parking sensors into the bumper if your Jeep came with them.
See the 'Parking Sensor Install' instructions.



Slide the bumper towards the vehicle until the two mount holes line up with the threaded holes in the frame.

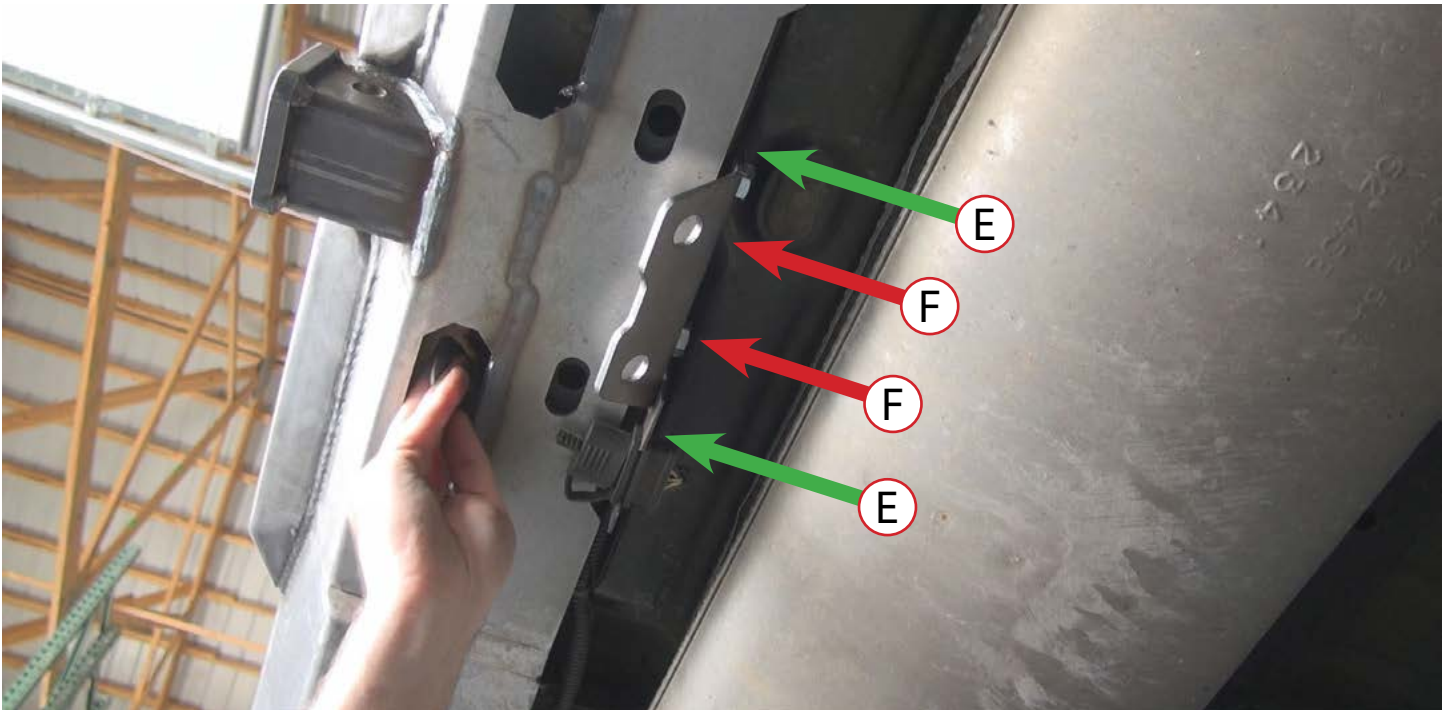
A

Insert the provided **M14** bolts/washers labelled "**A**" into holes labelled "**A**." Tighten with a **22mm** socket.



B

The passenger side vertical holes marked as "**B**" will require **M14** hardware installed (bolt+washers+nuts supplied) as there are no weld nuts inside the frame. Tighten thoroughly.



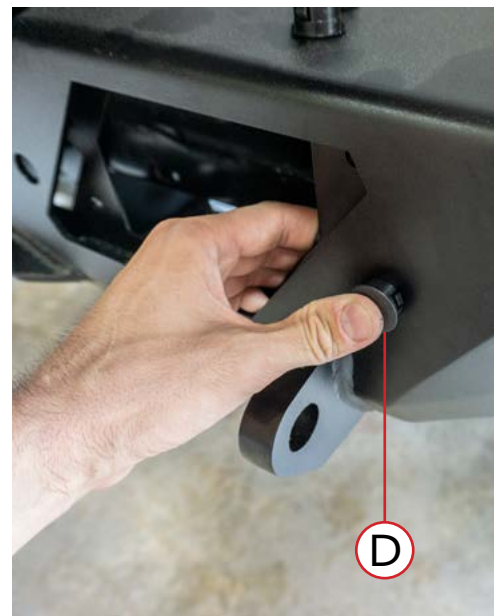
E **F**

Place the 4" bolts, washers, and nuts labelled "E" into the outside holes, attach using provided hardware. Insert the 4.5" bolts labelled "F" in the middle, through the safety chain plate.



C

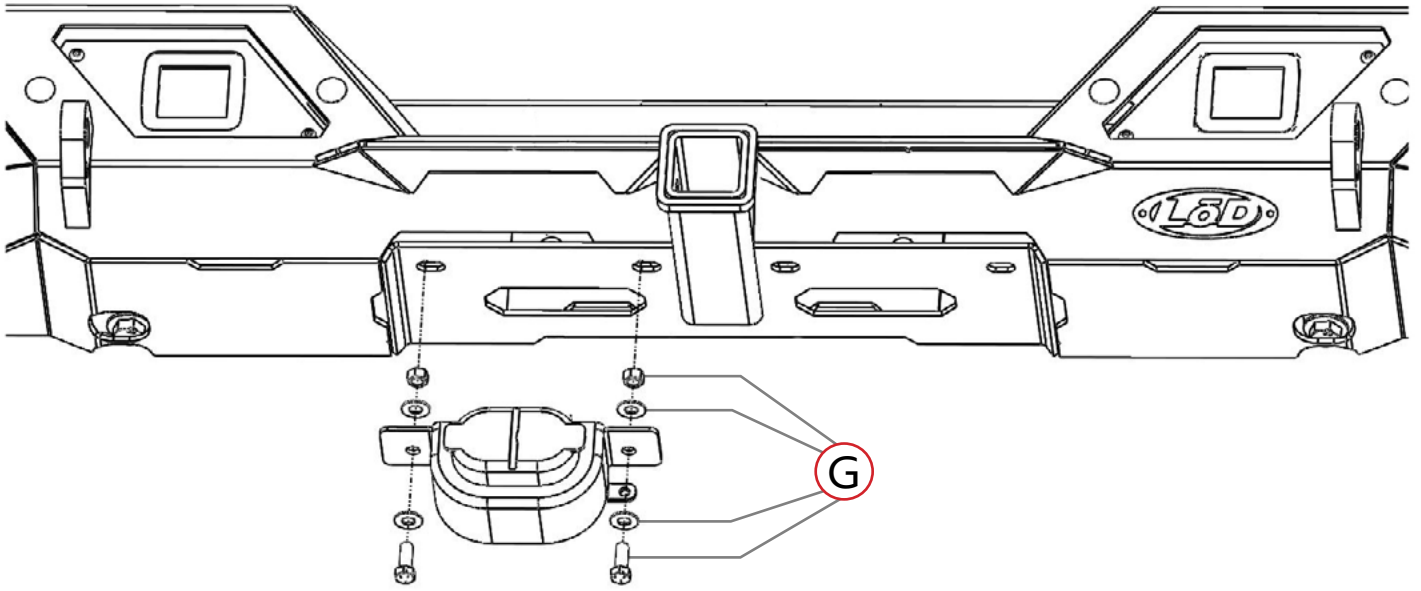
Attach and tighten down the foglight bezels with screws labelled "C" using an allen key.



D

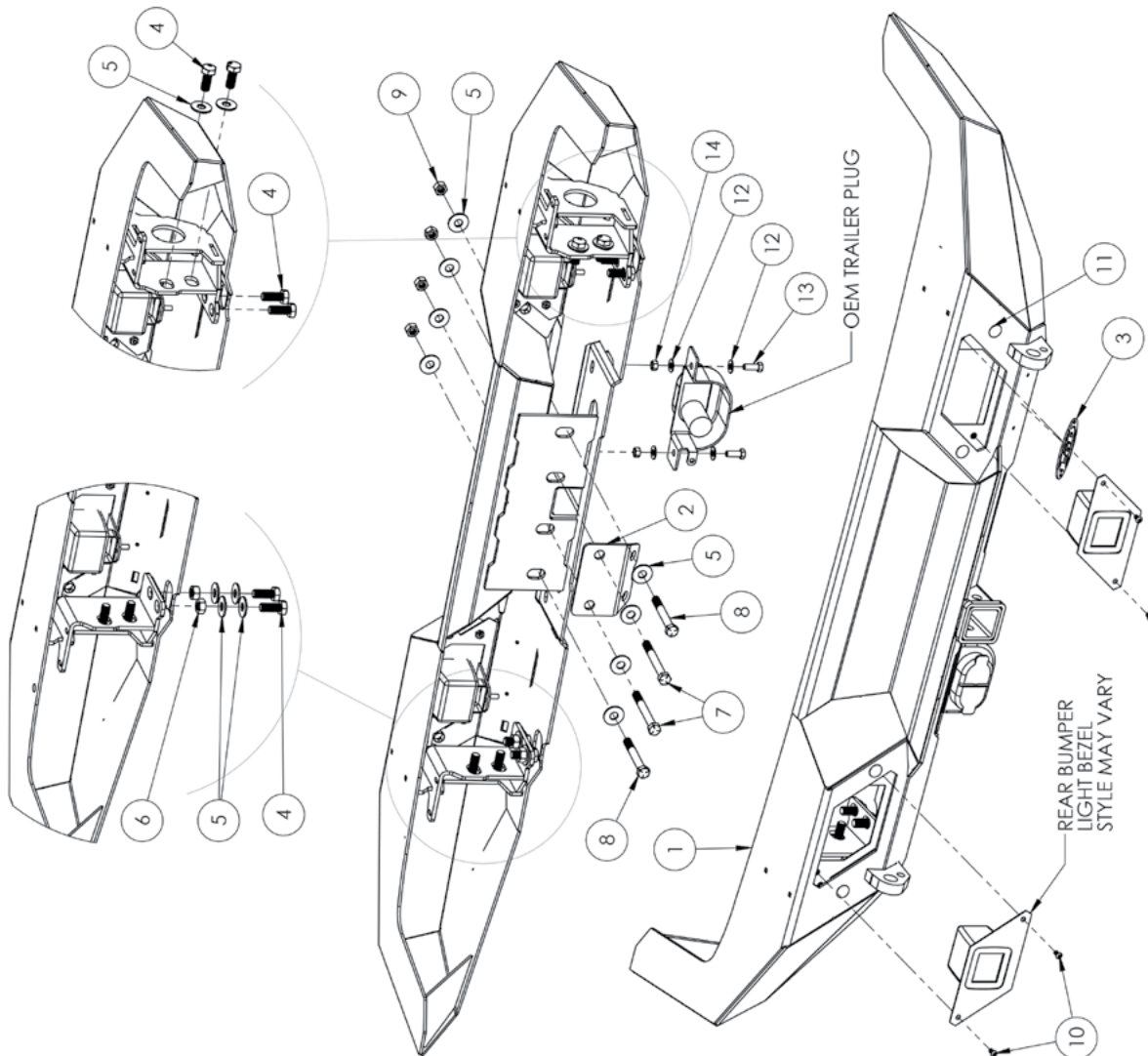
D

Plug the sensor holes (if you don't have sensors) with the provided caps and you're all set!



G

Re-install the stock trailer plug socket that was removed from the OE bumper. Use washers, bolts, and nuts labelled "G"



ITEM NO.	PART NUMBER	FINISH	DESCRIPTION	QTY.
1	4JRB1840-01	BS/BP	DESTROYER FULL WIDTH REAR BUMPER WELDMENT (WITHOUT TIRE CARRIER OPTION)	1

HARDWARE KIT

ITEM NO.	PART NUMBER	FINISH	DESCRIPTION	QTY.
2	2JTC1001-47	BP	SAFETY CHAIN PLATE	1
3	LOD.logo		Logo Plate	1
4	HB14150M35ZPCL88		HEX BOLT M14-1.50 x 35mm ZINC PLATE CL8.8	8
5	FW5022ZP		FLAT WASHER Ø1/2" X 1.375" ZINC PLATE	18
6	HN14150MZPGR5		HEX NUT M14 X 1.50mm ZINC PLATE GR5	2
7	HB501372ZPGR5		HEX BOLT 1/2-13 X 4.50 HEX BOLT ZINC PLATE GR5	2
8	HB501364ZPGR5		HEX BOLT 1/2-13 X 4.00 HEX BOLT ZINC PLATE GR5	2
9	HN5013ZPGR5		HEX NUT 1/2-13 ZINC PLATE GR5	4
10	BHSCS252008SS		BHSCS 1/4-20 X 0.50 STAINLESS STEEL	4
11	HP1000		SENSOR HOLE PLUG	4
12	FW3814ZP		FLAT WASHER Ø3/8" X .875 ZINC PLATE	4
13	HB381616ZPGR5		HEX BOLT 3/8-16 X 1.00 ZINC PLATE GR5	2
14	HN3816ZPGR5		HEX NUT 3/8-16 ZINC PLATE GR5	2

NOTES:

- JRB1840 = BARE STEEL OPTION
 - JRB1841 = BLACK POWDER COAT OPTION
- DESTROYER FULL WIDTH REAR BUMPER ONLY

JRB1840
JRB1841



**JL Jeep
Destroyer Series**

Rear Bumpers

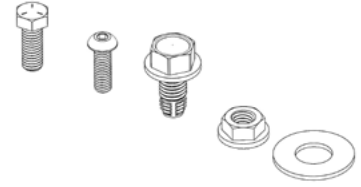
Shipping Slip

Packaged by:

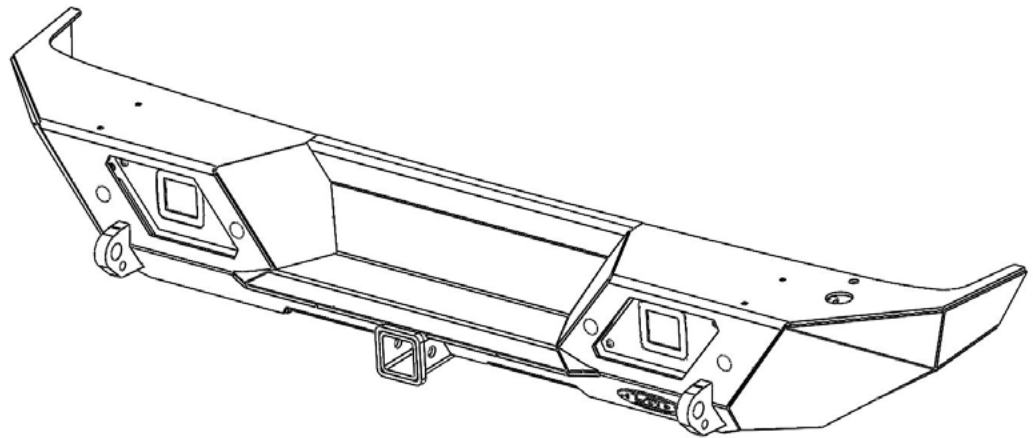
On:



Install Instruction
Booklet

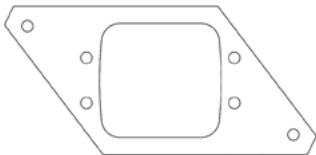


Hardware Kit
(Contents may vary)

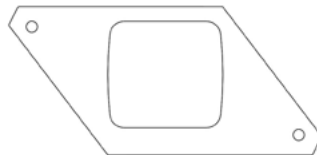


Bumper

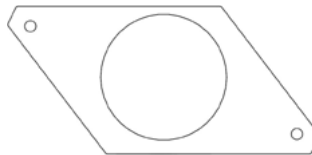
(Only one set included, others sold separately)



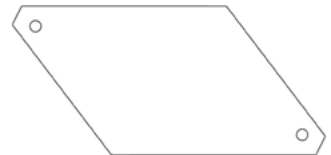
Flush Mount
Light Bezels



D Series
Light Bezels



Round Halogen
Light Bezels

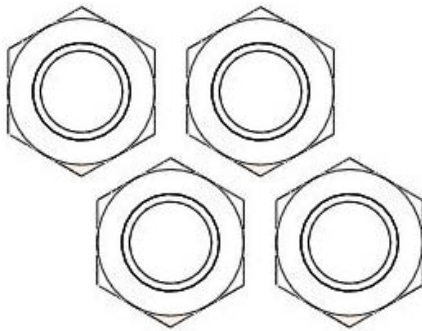


Blank
Light Bezels



**JL Jeep
Destroyer Series
Rear Bumpers
Hardware Sheet
Packaged by:**

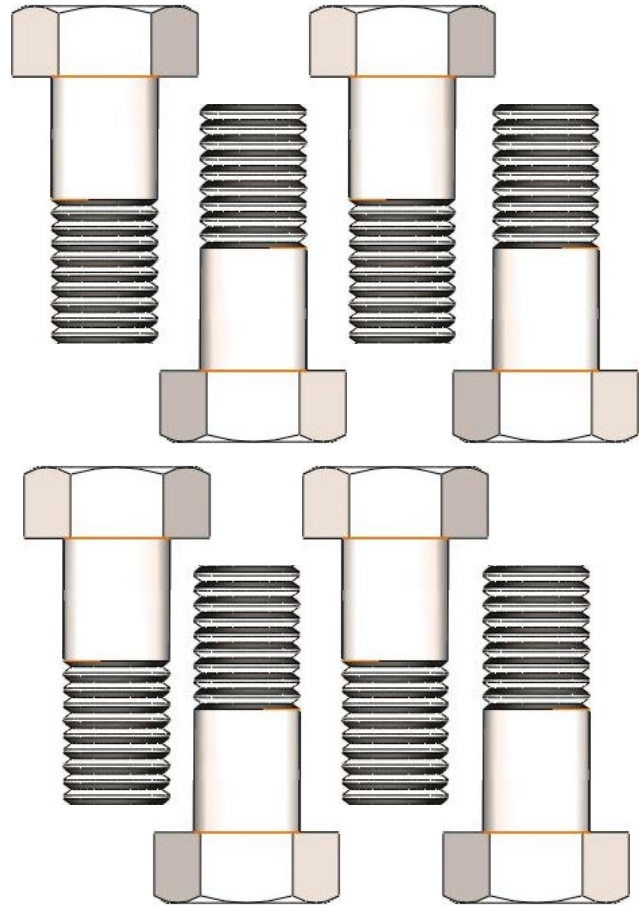
On:



1/2-13 Hex Nut

(E) (F)

(4)



M14-1.5x35mm HexBolt

(A) (B)

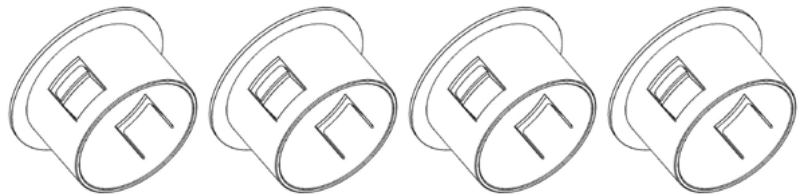
(8)



**1/4-20 x 0.5" Buttonhead
Socket Cap Screw**

(C)

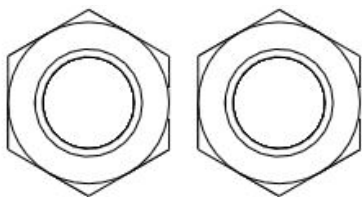
(4)



(D)

**Plastic Sensor
Hole Plug**

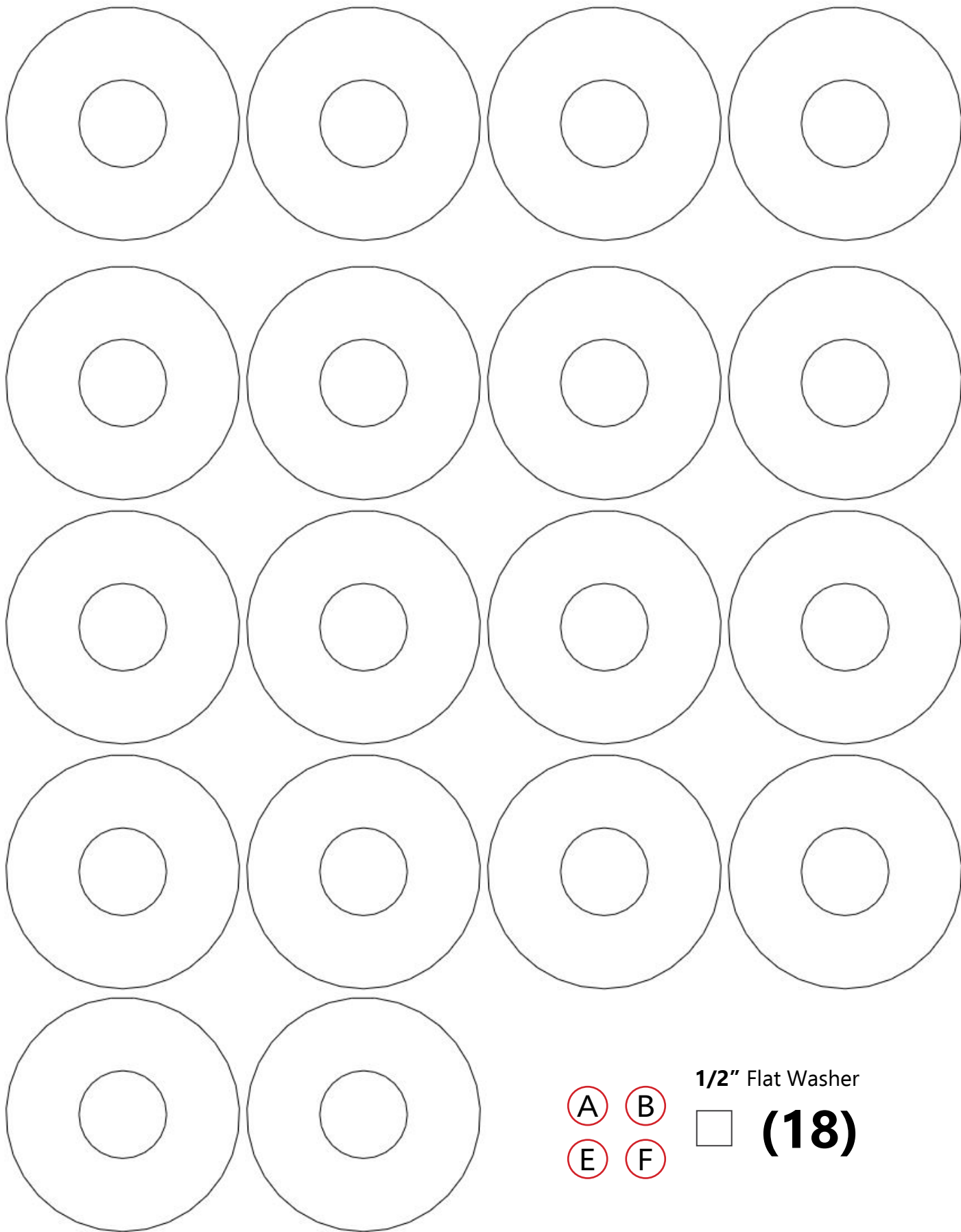
(4)

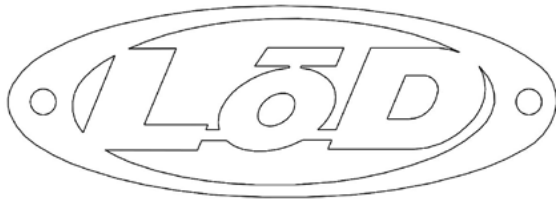


**M14-1.5mm
Hex Nut**

(B)

(2)

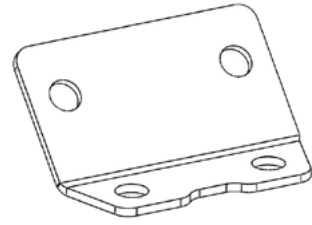




- packaged separate if bumper is bare steel

LoD Logo Plate

(1)



Safety Chain Plate

(1)



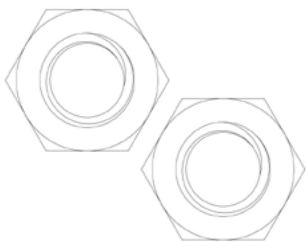
1/2-13 x 4" Hex Bolt

(E) **(2)**



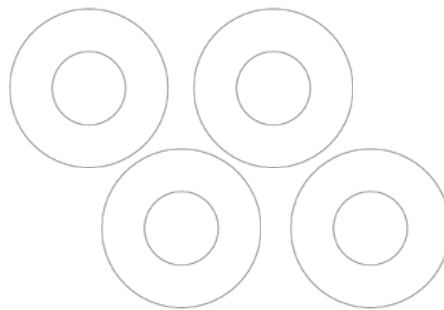
1/2-13 x 4.5" Hex Bolt

(F) **(2)**



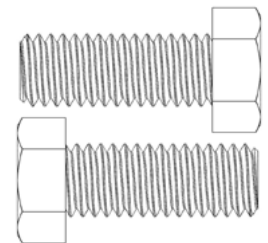
3/8-16" Hex Nut

(G) **(2)**



3/8" Washer

(G) **(4)**



3/8-16 x 1" Hex Bolt

(G) **(2)**